

Subsea Electrical Housing



The J+S Subsea Electrical Distribution Box (EDB) is a highly survivable subsea enclosure for use as a junction box, electrical termination/distribution module or secure housing for electrical components such as step up/step down transformers etc.

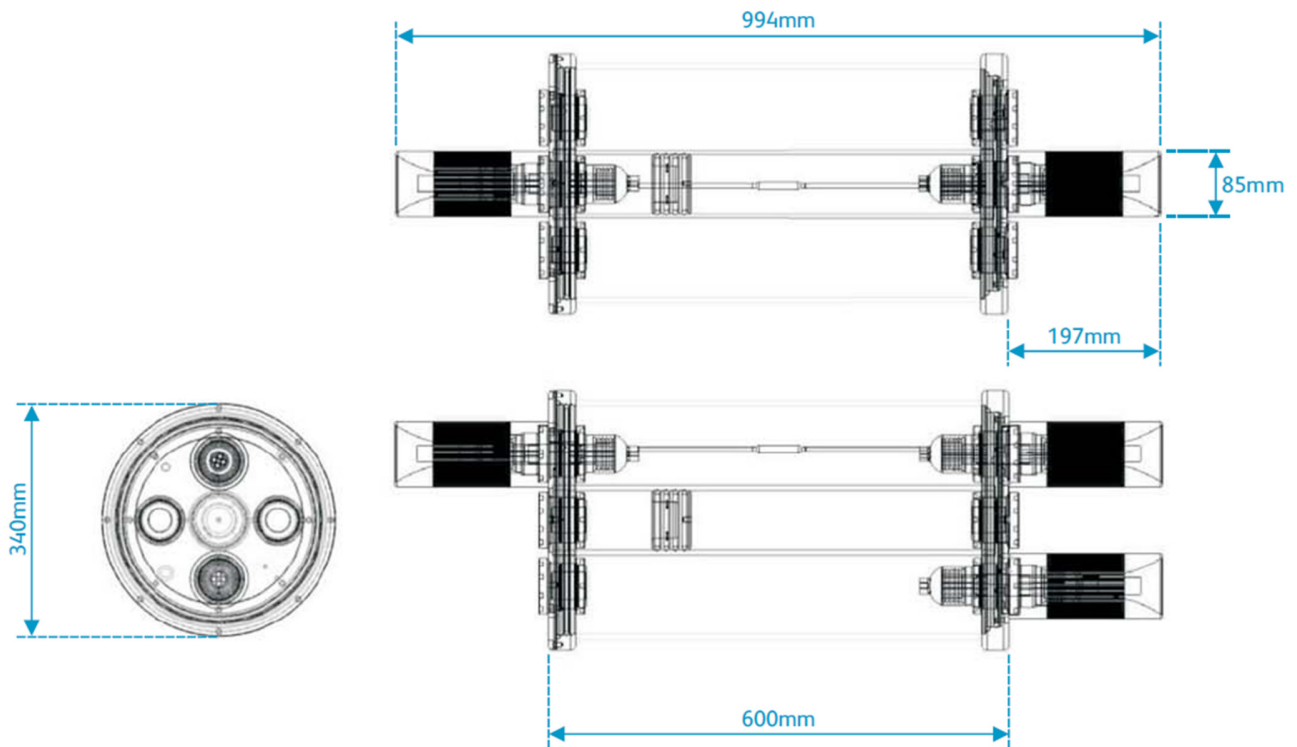
Utilising J+S extensive capability in high integrity vessel design and manufacture, the EDB provides a maintenance free, secure subsea enclosure.

The EDB can be used in numerous applications, and has a number of interfacing options such as subsea connectors or J+S high integrity penetrator technology. This provides a versatile interfacing solution for multiple subsea connection points.

Key features:

- Oil filled pressure balanced housing
- High integrity polyethylene injection mould penetrator using proven military technology
- Safety pressure valve to remove potential pressure differentials within the housing
- Pressure balancing using custom designed piston compensation system
- Constructed in alloy, 316L stainless steel or titanium for excellent corrosion resistance
- Qualification tested to depth of 300m
- Internal splicing using proven polyethylene moulding technique
- Multiple connection ports (dependent on size of housing)
- Can be adapted to contain single atmosphere housing within

Subsea Electrical Housing



System Specifications:

Rated depth:	300 metres
Mechanical construction:	alloy, 316L stainless steel or titanium
Pressure balancing fluid type:	Texaco uninhibited transformer oil (unless otherwise specified)
Compensation method:	Piston
Penetrator Construction:	Stainless steel insert with high integrity polyethylene mould
Safety pressure valve:	10psi check valve
Weight in air (approx):	100Kg
Weight in seawater (approx):	50Kg
Operating temperature range:	-10°C to +20°C