

CLINISPIN horizon

The first innovative low-cost horizontal centrifuge range



a new revolution on the horizon

WOODLEY
EQUIPMENT COMPANY LTD.

CONTENTS

- 2 About Woodley
- 2 Why is Horizontal Separation Important?
- 3 Distributor Enquiries Welcomed

MODELS:

- 4 642E
- 5 755VES
- 6 853VES
- 7 853RAPIDE
- 8 842VES
- 9 842STAT
- 10 842COMBI
- 11 Full Range & Accessories

CLINISPIN
horizon



ABOUT WOODLEY

The objective of Woodley Equipment Company Ltd is to become the premier supplier of laboratory equipment. Whilst developing this position, the Company's reputation for delivering outstanding service and value to both customers and business partners will continue to be enhanced and maintained.

Woodley Equipment Company Ltd was established in 1989 and operates from office and warehouse premises in the North West of England. The company is now established as one of the fastest growing in this industry sector. Woodley are dedicated to providing a quality service and in June 2004 gained ISO 9001:2000 status, recognising the quality of their administrative and management systems.

In Partnership with The Drucker Company, Woodley Equipment Company Ltd presents the horizon range of centrifuges

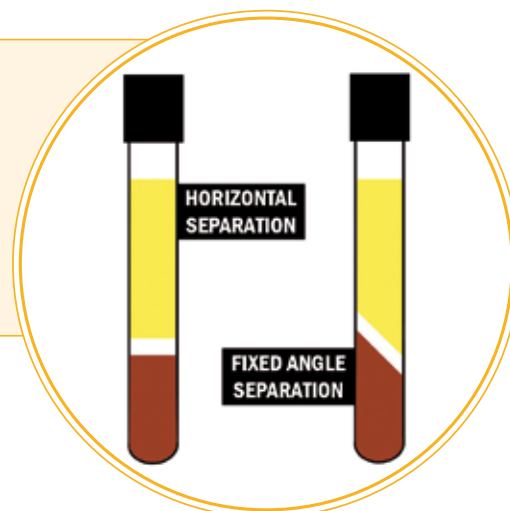
Throughout 2004 Woodley Equipment Company Ltd worked with The Drucker Company to bring the first of their horizontal centrifuges to the European market. The 642E centrifuge gained the CE Mark in autumn of that year and has now been successfully launched. Since the arrival of the 642E, three more centrifuges were CE Marked; the 755VES, 842VES and 853VES. Most recently the 842STAT, 842COMBI and 853RAPIDE have been added to the range, and the CE-marked range will continue to increase with demand.

WHY IS HORIZONTAL SEPARATION IMPORTANT?

Horizontal separation maximises the centrifugal force, therefore reducing spin times, and a horizontal rotor produces a tighter horizontal separation line. The tighter gel line prevents re-mixing and therefore contamination and haemolysis. It is also less likely to become disturbed during shipping, ensuring your samples arrive at their destination in perfect condition.

Horizontal separation is preferred and insisted on by most laboratories. The horizontal separation line is more convenient and compatible with most laboratory analysers.

- **Better separation**
- **Tighter gel line**
- **No remixing**
- **No spoilt samples**
- **No need for re-spins**



CLINISPIN HORIZON

OPERATING FEATURES

Electronic Timer with Display Selectable from 1 to 99 minutes, hold feature, (+/- 1%)

Electronic Speed Control with Display Easily set the running speed by RPM or RCF

Brushless DC Motor For smooth and quiet operation with no routine maintenance

Variable Acceleration and Deceleration Customise the run from start to finish

End-Of-Run Audible Indicator Sounds when the rotor has stopped to inform the operator the cycle is complete

Variable Speed Precision variable speed control gives the operator the ability to select from 500 RPM to the maximum rotor speed in 50 RPM increments

Quiet Operation and Low Vibration Double-encased motor and unique "stability mount" assure quiet performance and low out-of-balance vibration

SAFETY FEATURES

Automatic Lid Lock Centrifuge will not run with the lid open; lid cannot be opened while samples are spinning

Positive Lid Lock Firm mechanical lid lock prevents the escape of material in case of breakage or accident

Out-Of-Balance Detection If an imbalance is detected the centrifuge will come to a safe controlled stop

Welded Steel Construction For strength and durability

DISTRIBUTOR ENQUIRIES WELCOMED

As the official European distributor, and with authorisation to supply the centrifuges beyond Europe based on demand, Woodley Equipment are seeking distribution partners for this range of centrifuges.

If you would like to become a distributor, please contact us on sales@horizoncentrifuges.com.

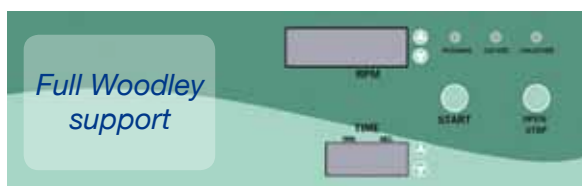
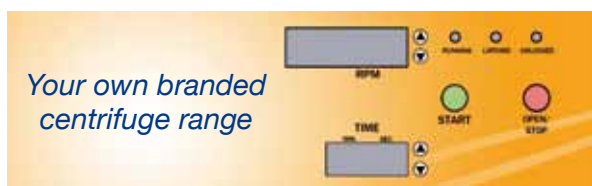
We have specialist technical support and a dedicated Service Centre for the horizon centrifuges with repairs and services carried out in-house. This centre will also undertake in-house training for the service engineers of our nominated distribution partners.

OEM Agreements Available for Appointed Distributors

With full Woodley support, distributors have the opportunity to carry their own centrifuge range.

Woodley can brand horizon centrifuges with your company logo and design, and once your design is approved, every centrifuge you order will have your company label installed.

*Minimum order quantities apply.



For more information about Woodley Equipment or any of the horizon products email: sales@horizoncentrifuges.com Or call: +44 (0) 1204 460446

For the doctor's office/small laboratory

- **Compact Design**
- **Full Horizontal Separation**
- **Easy Operation**
- **CE Marked**
- **UL and CAN/CSA Certified**



Horizontal Rotor (Standard)

Supplied as standard with:

- Horizontal rotor
- Set of 10ml adaptors (6)
- Set of 5ml adaptors (6)



The Clinispin horizon 642E is a single speed centrifuge designed for the doctor's office or small lab. Its compact design minimises its footprint, leaving more room on your worktop. The unique horizontal rotor design allows for the test tubes to be inserted at a convenient 45 degree angle, they are then gently rotated to a full horizontal position as the motor accelerates.

OPERATING FEATURES

- Electronic Timer
- Small Footprint
- Brushless DC Motor
- Cool Running
- Single Speed
- Quiet Operation and Low Vibration
- Automatic Lid Lock

SUGGESTED APPLICATIONS

- Doctor's Offices
- Small Laboratories
- Veterinary Surgeries
- Emergency Rooms
- Contract Research/Pharmaceutical Organisations

SPECIFICATION

Max. Acceleration Time:	15 seconds
Deceleration Time:	60 seconds
Electronic Timer:	30 minutes <i>(preset to 10 minutes)</i>
Weight:	8.4 kgs
Dimensions:	22 cms (h) 28 cms (w) 32 cms (d)
Brushless DC Motor	
4 Amp Protection Breaker	
Max. Power Requirement:	200 Watts
Voltage:	115/230V
Frequency:	50/60 Hz

ROTOR OPTIONS	NO. OF PLACES	MAX. TUBE SIZE	SPEED RANGE	FORCE RANGE
STANDARD:				
6-Place Horizontal Rotor				
75mm Tube Holder	6	5ml (17 x 75mm)	3800 RPM	2000 xg
100mm Tube Holder	6	10ml (17 x 100mm)	3800 RPM	2000 xg
ALTERNATIVE ROTOR OPTIONS:				
6-Place Fixed-Angle Rotor				
75mm Tube Holder	6	5ml (17 x 75mm)	3800 RPM	1770 xg
100mm Tube Holder	6	10ml (17 x 100mm)	3800 RPM	1770 xg
125mm Tube Holder	6	15ml (17 x 125mm)	3800 RPM	1770 xg

All rotors must be factory fitted. Please notify us of your requirements when you place your order to ensure the right rotor is fitted.

For the larger laboratory

- **The Unique Rotor Accommodates 24x 10ml Tubes, 12x 15ml Tubes or 6x 50ml Tubes**
- **Full Horizontal Separation**
- **Precise Digital Controls**
- **CE Marked**
- **UL and CAN/CSA Certified**



The Clinispin horizon 755VES features the largest holding capacity of the Performance Series centrifuges. Its standard horizontal rotor and buckets can accommodate up to 24 tubes. The 755VES offers control over almost every aspect of the unit's operation from variable acceleration and deceleration to easy time and speed input. High speed and force capability produces platelet-poor/free plasma and greatly reduces processing times. The exclusive Drucker horizontal rotor allows for quick and easy sample loading and complete horizontal separation. Save settings in one of ten memory locations and recall them at the touch of a button.

OPERATING FEATURES

- Electronic Timer with Display
- Electronic Speed Control with Display
- Brushless DC Motor
- Variable Acceleration and Deceleration
- End-Of-Run Audible Indicator
- Variable Speed
- Quiet Operation and Low Vibration
- Automatic Lid Lock

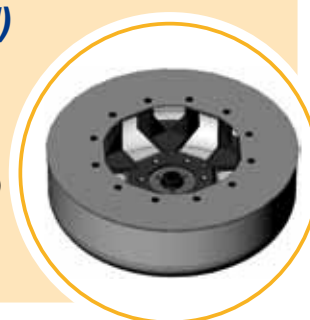
SUGGESTED APPLICATIONS

- Larger Laboratories
- University Departments
- 50ml Tube-Size Requirements
- Multiple Tube-Size Requirements
- Contract Research/Pharmaceutical Organisations

Performance Horizontal Rotor (Standard)

Supplied as standard with:

- Performance Horizontal rotor
- Set of 4 - Place buckets (6)
- Set of 10ml adaptors (24)
- Set of 5ml adaptors (24)



SPECIFICATION

Min. Acceleration Time:	15 seconds
Min. Deceleration Time:	15 seconds
Electronic Timer:	99 minutes
Weight:	17.7 kgs
Dimensions:	23 cms (h) 37 cms (w) 43 cms (d)
Brushless DC Motor	
4 Amp Protection Breaker	
Max. Power Requirement:	200 Watts
Voltage:	115/230V
Frequency:	50/60 Hz

ROTOR OPTIONS	NO. OF PLACES	MAX. TUBE SIZE	SPEED RANGE	FORCE RANGE
STANDARD:				
6-Carrier Performance Rotor				
4-Place Carrier	24	10ml (17 x 100mm)	500-3500 RPM	40-2200 xg
4-Place Carrier	12	15ml (17 x 125mm)	500-3500 RPM	40-2200 xg
50ml Carrier	6	50ml (34 x 115mm)	500-3500 RPM	40-2200 xg
ALTERNATIVE ROTOR OPTIONS:				
6-Place 50ml Fixed-Angle Rotor				
50ml Fixed-Angle Rotor	6	50ml (34 x 125mm)	0-4000 RPM	0-2000 xg
20-Place Fixed-Angle Rotor				
75mm Tube Holder	20	5ml (17 x 75mm)	0-4000 RPM	0-1700 xg
100mm Tube Holder	20	10ml (17 x 100mm)	0-4000 RPM	0-1900 xg
125mm Tube Holder	20	15ml (17 x 125mm)	0-4000 RPM	0-2000 xg

All rotors must be factory fitted. Please notify us of your requirements when you place your order to ensure the right rotor is fitted.

A NEW REVOLUTION ON THE HORIZON

For high performance in routine applications



- **Rapid Separations**
- **Full Horizontal Separation**
- **Precise Variable Controls**
- **CE Marked**
- **UL and CAN/CSA Certified**

The Clinispin horizon 853VES is a medium capacity centrifuge with unmatched performance. The 853VES offers control over almost every aspect of the unit's operation from variable acceleration and deceleration to easy time and speed input. High speed and force capability produces platelet-poor/free plasma and greatly reduces processing times. The exclusive Drucker horizontal rotor allows for quick and easy sample loading and complete horizontal separation. Save settings in one of ten memory locations and recall them at the touch of a button.

OPERATING FEATURES

- Electronic Timer with Display
- Electronic Speed Control with Display
- Brushless DC Motor
- Variable Acceleration and Deceleration
- End-Of-Run Audible Indicator
- Variable Speed
- Quiet Operation and Low Vibration
- Automatic Lid Lock

SUGGESTED APPLICATIONS

- Small to Large Laboratories
- Doctor's Offices with a Higher Throughput
- Veterinary Surgeries
- University Departments
- Contract Research/Pharmaceutical Organisations

Performance Plus Horizontal Rotor (Standard)

Supplied as standard with:

- Performance Plus Horizontal rotor
- Set of 5ml adaptors (12)
- Set of 10ml adaptors (12)



SPECIFICATION

Electronic Timer:	99 minutes
Weight:	13.7 kg
Dimensions:	23 cms (h) 32 cms (w) 39 cms (d)
Brushless DC Motor	
4 Amp Protection Breaker	
Max. Power Requirement:	200 Watts
Voltage:	115/230V
Frequency:	50/60 Hz

ROTOR OPTIONS	NO. OF PLACES	MAX. TUBE SIZE	SPEED RANGE	FORCE RANGE
STANDARD:				
12-Place Performance Plus Rotor				
75mm Tube Holder	12	5ml (17 x 75mm)	500-5000 RPM	40-3100 xg
100mm Tube Holder	12	10ml (17 x 100mm)	500-5000 RPM	40-3800 xg
ALTERNATIVE ROTOR OPTIONS:				
12-Place Horizontal Rotor				
75mm Tube Holder	12	5ml (17 x 75mm)	500-4000 RPM	40-2000 xg
100mm Tube Holder	12	10ml (17 x 100mm)	500-4000 RPM	40-2400 xg
20-Place Fixed-Angle Rotor				
75mm Tube Holder	20	5ml (17 x 75mm)	500-4000 RPM	40-1700 xg
100mm Tube Holder	20	10ml (17 x 100mm)	500-4000 RPM	40-1900 xg
125mm Tube Holder	20	15ml (17 x 125mm)	500-4000 RPM	40-2000 xg
6-Place 50ml Fixed-Angle Rotor				
50ml Fixed-Angle Carrier	6	50ml (34 x 125mm)	500-4000 RPM	40-2000 xg

All rotors must be factory fitted. Please notify us of your requirements when you place your order to ensure the right rotor is fitted.

For all coagulation/emergency laboratories

- Separates 12 Gel Tubes in 3 Minutes
- Rapid Separations
- Full Horizontal Separation
- Precise Variable Controls
- CE Marked
- UL and CAN/CSA Certified

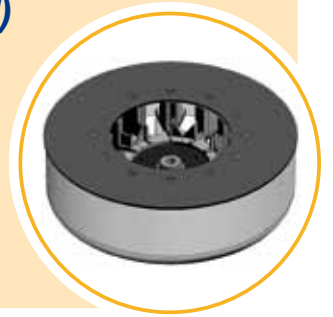


The Clinispin horizon 853RAPIDE is a medium capacity centrifuge specifically designed for Emergency Laboratories processing urgent Biochemistry/Cardiac samples. It separates 12 gel tubes in 3 minutes, enabling samples to be centrifuged and analysed as they arrive in the laboratory, thus increasing turnaround time. The 853RAPIDE offers control over almost every aspect of the unit's operation from variable acceleration and deceleration to easy time and speed input. High speed and force capability produces platelet-poor/free plasma and greatly reduces processing times. The exclusive Drucker horizontal rotor allows for quick and easy sample loading and complete horizontal separation. Save settings in one of ten memory locations and recall them at the touch of a button.

Performance Plus Horizontal Rotor (Standard)

Supplied as standard with:

- Performance Plus Horizontal rotor
- Set of 5ml adaptors (12)
- Set of 10ml adaptors (12)



OPERATING FEATURES

- Electronic Timer with Display
- Electronic Speed Control with Display
- Brushless DC Motor
- Variable Acceleration and Deceleration
- End-Of-Run Audible Indicator
- Variable Speed
- Quiet Operation and Low Vibration
- Automatic Lid Lock

SUGGESTED APPLICATIONS

- Emergency Laboratories
- Coagulation Surgeries
- Veterinary Surgeries
- Anyone Requiring a 3-Minute Sample Separation
- Contract Research/Pharmaceutical Organisations

SPECIFICATION

Electronic Timer:	99 minutes
Weight:	13.7 kg
Dimensions:	23 cms (h) 32 cms (w) 39 cms (d)
Brushless DC Motor	
4 Amp Protection Breaker	
Max. Power Requirement:	200 Watts
Voltage:	115/230V
Frequency:	50/60 Hz

ROTOR OPTIONS	NO. OF PLACES	MAX. TUBE SIZE	SPEED RANGE	FORCE RANGE
STANDARD:				
12-Place Performance Plus Rotor				
75mm Tube Holder	12	5ml (17 x 75mm)	500-5300 RPM	40-3500 xg
100mm Tube Holder	12	10ml (17 x 100mm)	500-5300 RPM	40-4225 xg

All rotors must be factory fitted. Please notify us of your requirements when you place your order to ensure the right rotor is fitted.

For all coagulation/emergency laboratories



- **Rapid Separations**
- **Full Horizontal Separation**
- **Precise Variable Controls**
- **CE Marked**
- **UL and CAN/CSA Certified**

The **Clinispin horizon 842VES** is the most compact of the Performance Series centrifuges. The 842VES offers control over almost every aspect of the unit's operation from variable acceleration and deceleration to easy time and speed input. High speed and force capability produces platelet-poor/free plasma and greatly reduces processing times. The exclusive Drucker horizontal rotor allows for quick and easy sample loading and complete horizontal separation. Save settings in one of ten memory locations and recall them at the touch of a button.

OPERATING FEATURES

- Electronic Timer with Display
- Electronic Speed Control with Display
- Brushless DC Motor
- Variable Acceleration and Deceleration
- End-Of-Run Audible Indicator
- Variable Speed
- Quiet Operation and Low Vibration
- Automatic Lid Lock

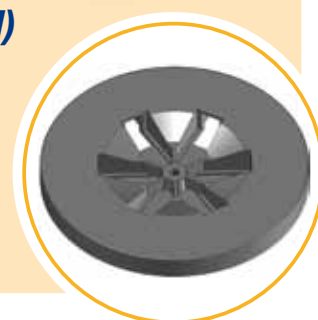
SUGGESTED APPLICATIONS

- Coagulation Laboratories
- Veterinary Surgeries
- University Departments
- Contract Research/Pharmaceutical Organisations

Performance Plus Horizontal Rotor (Standard)

Supplied as standard with:

- Performance Plus Horizontal rotor
- Set of 5ml adaptors (6)



SPECIFICATION

Min. Acceleration Time:	15 seconds
Min. Deceleration Time:	15 seconds
Electronic Timer:	99 minutes
Weight:	10.5 kgs
Dimensions:	20 cms (h) 28 cms (w) 34 cms (d)
Brushless DC Motor	
4 Amp Protection Breaker	
Max. Power Requirement:	200 Watts
Voltage:	115/230V
Frequency:	50/60 Hz

ROTOR OPTIONS	NO. OF PLACES	MAX. TUBE SIZE	SPEED RANGE	FORCE RANGE
STANDARD:				
6-Place Performance Plus Horizontal Rotor 75 mm Tube Holder	6	5ml (13 x 75 mm)	1000-6500 RPM	140-5000 xg
ALTERNATIVE ROTOR OPTIONS:				
6-Place Horizontal Rotor 75 mm Tube Holder 100 mm Tube Holder	6 6	5ml (17 x 75 mm) 10ml (17 x 100 mm)	1000-4500 RPM 1000-4500 RPM	140-2260 xg 140-2800 xg
6-Place Fixed-Angle Rotor 75 mm Tube Holder 100 mm Tube Holder 125 mm Tube Holder	6 6 6	5ml (17 x 75 mm) 10ml (17 x 100 mm) 15ml (17 x 125 mm)	1000-4000 RPM 1000-4000 RPM 1000-4000 RPM	140-1500 xg 140-1730 xg 140-1950 xg

All rotors must be factory fitted. Please notify us of your requirements when you place your order to ensure the right rotor is fitted.

For all coagulation/emergency laboratories

Platelet Poor Plasma with a 2 Minute Spin

- **Rapid Separations**
- **Full Horizontal Separation**
- **Precise Variable Controls**
- **CE Marked**
- **UL and CAN/CSA Certified**



The Clinispin horizon 842STAT is the most compact of the Performance Series centrifuges. The 842STAT offers control over almost every aspect of the unit's operation from variable acceleration and deceleration to easy time and speed input. High speed and force capability produces platelet-poor/free plasma with a 2-minute spin, greatly reducing processing times. Save settings in one of ten memory locations and recall them at the touch of a button.

OPERATING FEATURES

- Electronic Timer with Display
- Electronic Speed Control with Display
- Brushless DC Motor
- Variable Acceleration and Deceleration
- End-Of-Run Audible Indicator
- Variable Speed
- Quiet Operation and Low Vibration
- Automatic Lid Lock

SUGGESTED APPLICATIONS

- Emergency Laboratories
- Coagulation Laboratories
- Veterinary Surgeries
- University Departments
- Anyone Requiring 2-Minute, Fixed-Angle Separation with Tubes up to 10ml
- Contract Research/Pharmaceutical Organisations

Fixed-Angle STAT Rotor (Standard)

Supplied as standard with:

- Fixed-Angle STAT rotor



SPECIFICATION

Min. Acceleration Time:	15 seconds
Min. Deceleration Time:	15 seconds
Electronic Timer:	99 minutes
Weight:	10.5 kgs
Dimensions:	20 cms (h) 28 cms (w) 34 cms (d)
Brushless DC Motor	
4 Amp Protection Breaker	
Max. Power Requirement:	200 Watts
Voltage:	115/230V
Frequency:	50/60 Hz

ROTOR OPTIONS	NO. OF PLACES	MAX. TUBE SIZE	SPEED RANGE	FORCE RANGE
STANDARD:				
12-Place Fixed-Angle STAT (Standard)				
75mm Tube Holder Locations	6	5ml (15mm x 75mm)	1000-7000 RPM	140-4880 xg
100mm Tube Holder Locations	6	10ml (15mm x 100mm)	1000-7000 RPM	140-5700 xg
ALTERNATIVE ROTOR OPTIONS:				
12-Place Fixed-Angle STAT				
75mm Tube Holder Locations	12	5ml (15mm x 75mm)	1000-7000 RPM	140-4880 xg

All rotors must be factory fitted. Please notify us of your requirements when you place your order to ensure the right rotor is fitted.

A NEW REVOLUTION ON THE HORIZON

The veterinary surgeries' choice

2ml Serum, Haematocrit and QBC Tubes all in One Rotor

- **Rapid Separations**
- **Precise Variable Controls**
- **Spins 16x 2ml Serum, 16x haematocrit or 16x QBC tubes all in one rotor**
- **CE Marked**
- **UL and CAN/CSA Certified**



Sixteen-Place Microhaematocrit/Serum/QBC Rotor (Standard)

Supplied as standard with:

- Sixteen-place microhaematocrit/serum/QBC rotor



The Clinispin horizon 842COMBI is the most compact of the Performance series centrifuges. It accommodates 16 tube positions all on one rotor and offers control over almost every aspect of the unit's operation from variable acceleration and deceleration to easy time and speed input. The exclusive Drucker rotor allows for quick and easy sample loading and complete separation. Save settings in one of ten memory locations and recall them at the touch of a button.

OPERATING FEATURES

- Electronic Timer
- Electronic Speed Control with Display
- Brushless DC Motor
- Variable Acceleration and Deceleration
- End-Of-Run Audible Indicator
- Variable Speed
- Quiet Operation and Low Vibration
- Automatic Lid Lock

SUGGESTED APPLICATIONS

- Veterinary Surgeries
- QBC Haematology Analyser Users
- PCR Applications
- Contract Research/Pharmaceutical Organisations

SPECIFICATION

Maximum Speed:	12000 RPM
Maximum Force:	13520 xg
Min. Acceleration Time:	15 seconds
Min. Deceleration Time:	15 seconds
Electronic Timer:	99 minutes
Weight:	10.5 kgs
Dimensions:	20 cms (h) 28 cms (w) 34 cms (d)
Brushless DC Motor	
4 Amp Protection Breaker	
Max. Power Requirement:	200 Watts
Voltage:	115/230V
Frequency:	50/60 Hz

ROTOR OPTIONS	NO. OF PLACES	SPEED RANGE	FORCE RANGE
STANDARD:			
16-Place Rotor			
2ml Serum Tubes	16	1000-12000 RPM	90-13520 xg
QBC/Haematocrit Tubes	16		

All rotors must be factory fitted. Please notify us of your requirements when you place your order to ensure the right rotor is fitted.

FULL RANGE & ACCESSORIES



Full range of horizon centrifuges

PRODUCT CODE CENTRIFUGE DESCRIPTION

WD4000	Clinispin horizon 642E
WD4000A	Clinispin horizon 642E (220V), inc 6-Place horizontal rotor, 6 x 10ml red and 6 x 5ml green tube carriers Clinispin horizon 642E (220V), inc 6-Place fixed-angle rotor, 6 x 15ml black, 6 x 10ml red and 6 x 5ml green tube carriers
	Clinispin horizon 755VES
WD4001	Clinispin horizon 755VES (220V), inc Performance rotor and 6 x 4-Place carriers
WD4001A	Clinispin horizon 755VES (220V), inc 6-Place 50 ml fixed-angle rotor
WD4001B	Clinispin horizon 755VES (220V), inc 20-Place fixed-angle rotor
	Clinispin horizon 853VES
WD4003	Clinispin horizon 853VES (220V), inc 12-Place Performance Plus rotor, 12 x 10ml purple tube carriers and 12 x 5ml blue tube carriers
WD4003A	Clinispin horizon 853VES (220V), inc 12-Place horizontal rotor, 12 x 10ml purple tube carriers and 12 x 5ml blue tube carriers
WD4003B	Clinispin horizon 853VES (220V), inc 20-Place fixed-angle rotor, 20 x 15ml orange, 20 x 10ml purple and 20 x 5ml blue tube carriers
WD4003C	Clinispin horizon 853VES (220V), inc 6-Place 50ml fixed-angle rotor
	Clinispin horizon 853RAPIDE
WD4049	Clinispin horizon 853RAPIDE (220V), inc 12-Place Performance Plus rotor, 12 x 10ml purple tube carriers and 12 x 5ml blue tube carriers
	Clinispin horizon 842VES
WD4002	Clinispin horizon 842VES (220V), inc 6-Place Performance Plus rotor and 6 x 5ml Performance Plus tube carriers
WD4002A	Clinispin horizon 842VES (220V), inc 6-Place swing out, 6 x 10ml purple and 6 x 5ml blue tube carriers
WD4002B	Clinispin horizon 842VES (220V), inc 6-Place fixed-angle, 6 x 15ml orange, 6 x 10ml purple and 6 x 5ml blue tube carriers
	Clinispin horizon 842STAT
WD4037	842STAT, 12-Place rotor (6) 15 x 100 and (6) 13 x 75
WD4038	842STAT, 12-Place rotor (12) 13 x 75
	Clinispin horizon 842COMBI
WD4046	Clinispin horizon 842COMBI (220V) inc 16-Place microhaematocrit/serum/QBC rotor

All rotors must be factory fitted. Please notify us of your requirements when you place your order to ensure the right rotor is fitted.



Accessories for the range

ACCESSORIES

COMPATIBLE MODELS

		642E	755VES	853VES	853RAPIDE	842VES	842STAT	842COMBI
WD4004	6-Place horizontal rotor	•				•		
WD4005	10 ml red tube carrier	•						
WD4006	5 ml green tube carrier	•						
WD4007	6-Place fixed-angle rotor	•				•		
WD4008	15ml black tube carrier	•						
WD4009	6-Place Performance Plus horizontal rotor					•		
WD4010	5ml Performance Plus tube carrier					•		
WD4011	Shield cap	•	•	•	•	•		
WD4012	Tube cushion	•		•	•	•		
WD4013	10 ml purple tube carrier		•	•	•	•		
WD4014	5 ml blue tube carrier		•	•	•	•		
WD4015	15ml orange tube carrier		•	•		•		
WD4019	6-Carrier horizontal rotor		•					
WD4020	4-Place carrier		•					
WD4021	50ml horizontal carrier		•					
WD4022	Carrier caps		•					
WD4023	20-Place fixed-angle rotor		•	•				
WD4024	12-Place Performance Plus horizontal rotor			•	•			
WD4025	6-Place 50ml fixed-angle rotor		•	•				
WD4026	50ml tube holder, fixed-angle		•	•				
WD4029	12-Place horizontal rotor			•				
WD4033	16-Place microhaematocrit/ serum/ QBC rotor							•
WD4034	Rotor Lid							•
WD4035	Microhaematocrit gasket							•
WD4047	12-Place STAT rotor (6) 15 x 100 and (6) 13 x 75						•	
WD4048	12-Place STAT rotor (12) 13 x 75						•	

CLINISPIN
horizon

Woodley Equipment Company Ltd.

Locomotive House
Locomotive Industrial Estate
Horwich
Bolton
BL6 5UE
United Kingdom

Tel: +44 (0)1204 460446

Fax: +44(0)1204 692198

Email: sales@horizoncentrifuges.com

www.horizoncentrifuges.com

www.woodleyequipment.com

a new revolution on the horizon

WOODLEY
EQUIPMENT COMPANY LTD.