



**Forget cracks in the wall,
repairing damage and
repainting every year!**



steni terra

steni® *Terra*

- foundation panels give an attractive surface and are virtually maintenancefree

steni terra foundation panels are used for foundation walls, basements, supporting walls, steps, garages, storerooms and cladding of stairways, both in new buildings and renovations and when adding extra insulation. steni terra is a glassfibre reinforced polymer composite panel with a surface of crushed natural stone.

- Simple assembly
- Simple maintenance using high pressure flushing
- Robust and impact resistant
- Long lifetime
- Water resistant. Can be installed submerged in water
- Hides damages and cracks

► **steni terra is also suitable for steps, storage shed, garage etc.**



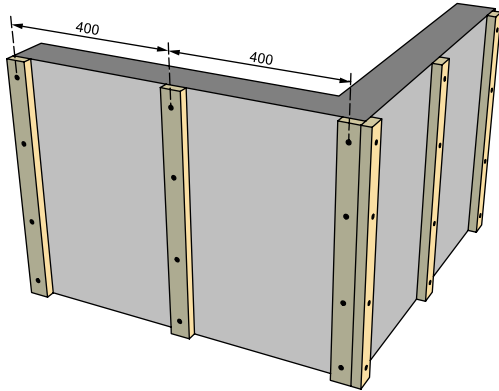


steni® Terra

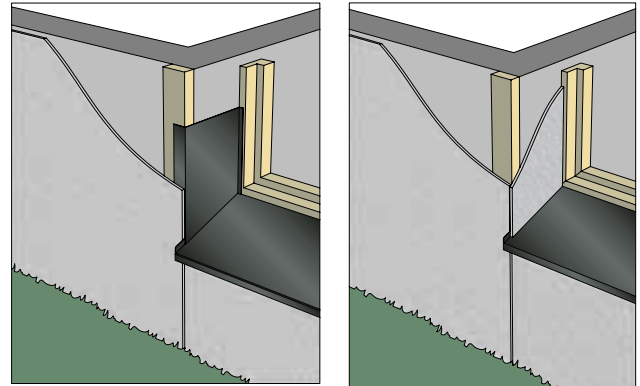
Gives an attractive surface which hides cracks and damage

Wherever time and nature have left their mark on old walls, **steni terra** will make them look like new and facilitate maintenance. What's more, steni terra is an excellent alternative when adding extra insulation, and for new constructions and renovating storerooms, sheds, etc.

It's so easy to install steni terra

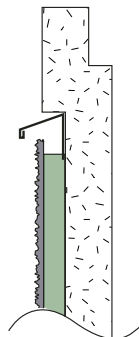
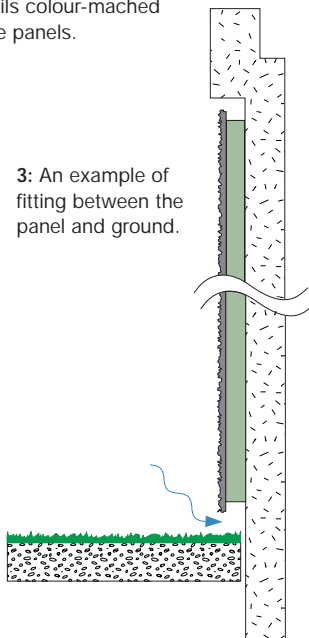


1: The frame comprises pressure impregnated battens which are installed vertically at 400 mm distance from each other. They are fastened using steni steel nails or screws. Consult your building materials supplier for advice. Batten dimensions should be a minimum of 22x44 mm and 22x70 mm at panel joints. steni terra is mounted on the battens using our stainless steel screws or nails colour-matched to the panels.

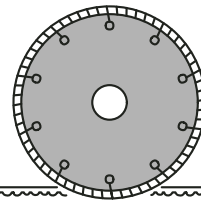


2: Example of fitting in doors and windows. This can be done either using a panel cutting or steel profiles.

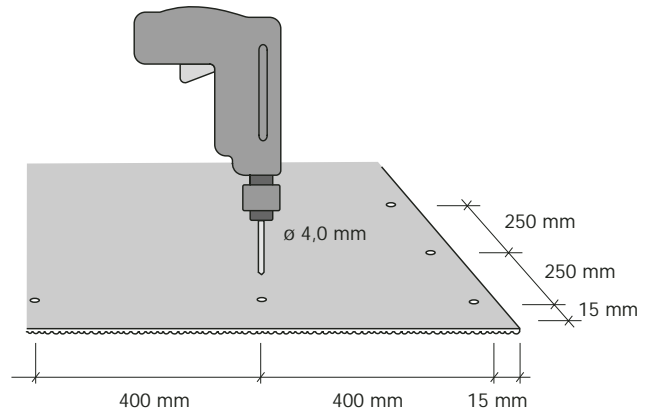
3: An example of fitting between the panel and ground.



4: If the width of the panel and batten exceeds the width of the gap required to prevent water from entering the back of the panel, a steel profile is used. This should extend at least 30 mm.



5: All work with the terra panel is carried out on the back face. The saw blade should be made of hard metal or, for smaller jobs, a compass saw may be used. Holes should be drilled 15 mm from the edge of the panel. Before installation, all saw- and drill-dust should be removed from the stone façade. Spacing sideways = batten distance. Vertical spacing should be a maximum of 250 mm.



Dimensions:

steni terra is supplied in two standard dimensions:
595 x 2500 mm and 1195 x 2400 mm.
Supplied in standard pearl grey.

Subsuppliers:

www.steni.no

steni as

Berganmoen - 3277 STEINSHOLT
Tlf.: +47 33 15 56 00 - Fax: +47 33 15 55 70
E-mail: info@steni.no



Building knowledge