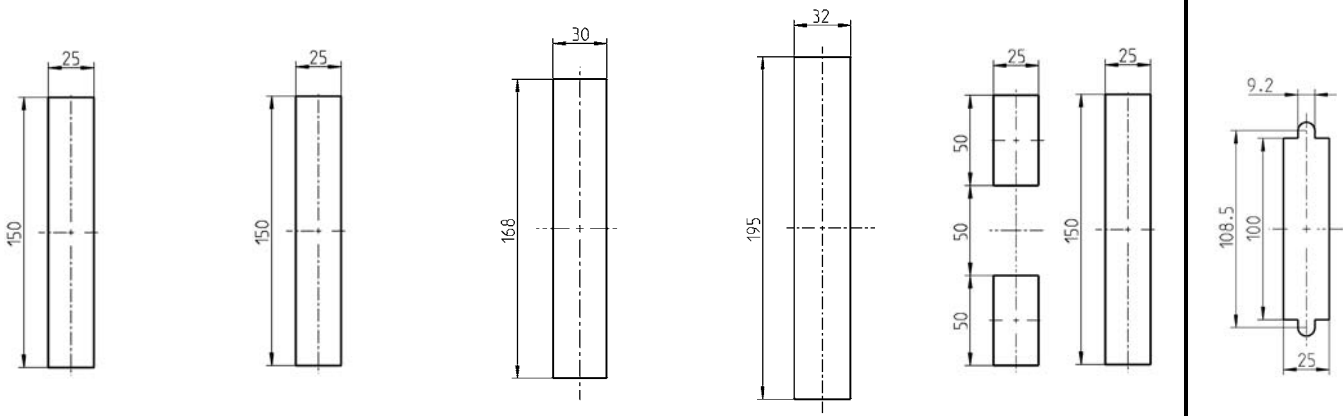
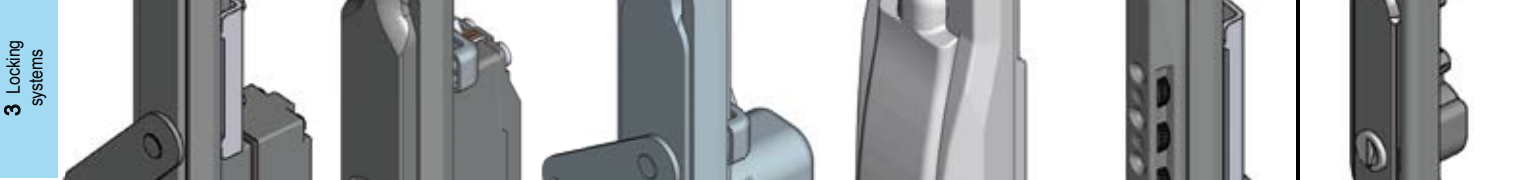
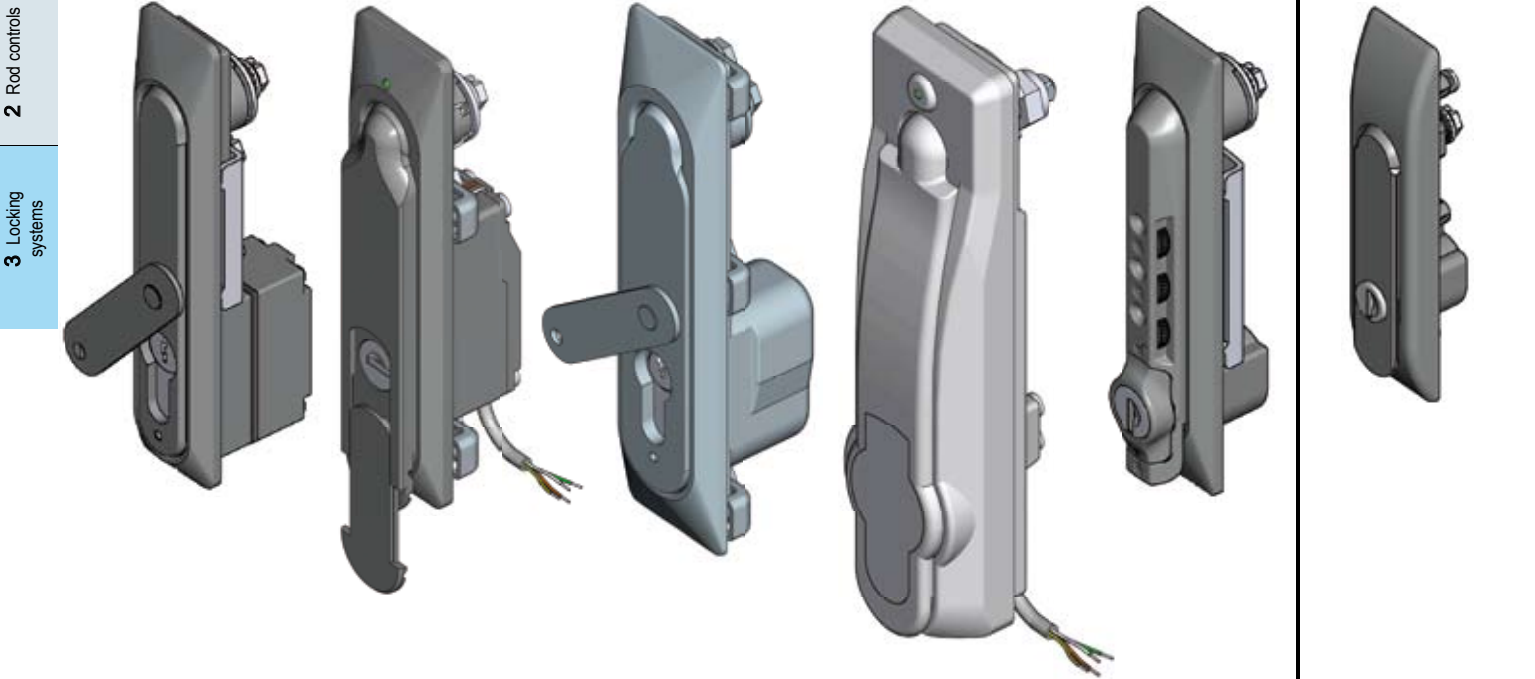


Swinghandles, lift handles, and escutcheons, part 2

1 Quarter turns	1150 Swinghandle 1154 3C-100	1150 Swinghandle 1154 3C-100	1150 Swinghandle 1154 3C-100	1150 Swinghandle 1154 3C-100	1150 Swinghandle 1155 3C-100	1160 Swinghandle 3D-100
-----------------	---------------------------------------	---------------------------------------	---------------------------------------	---------------------------------------	---------------------------------------	-------------------------------

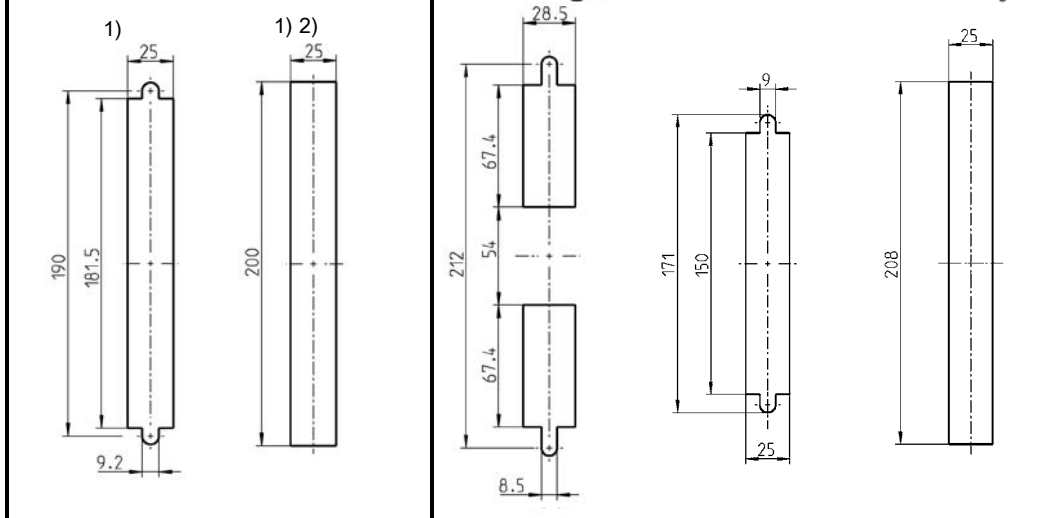
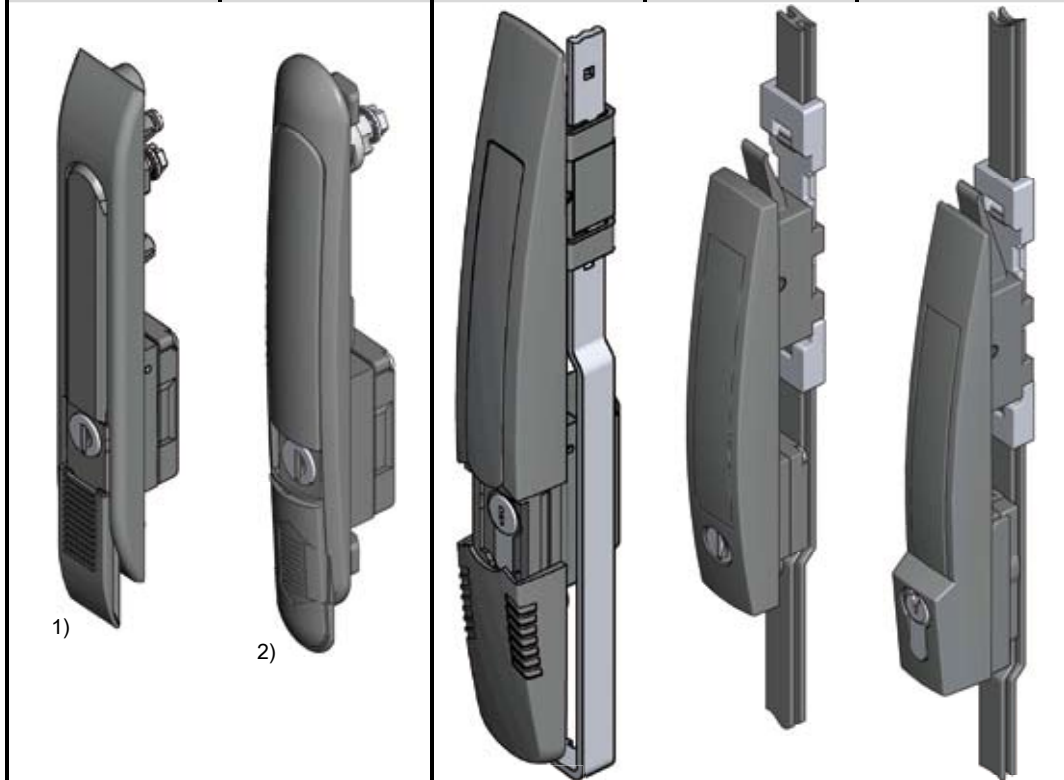


•	•	•	•	•	•	•
IP 65	IP 65	IP 65	IP 65	IP 65	IP 65	IP 65
•	•	•	•	•	•	•
•	•	•	•	•	•	•
•	•	•	•	Combination lock	•	•
•	•	•	•	•	•	•
•	•	•	•	•	•	•
•	•	•	•	•	•	•

1180	1180	1190	1190	1190
Swinghandle 1180	Swinghandle 1185	Lifthandle	Lifthandle	Lifthandle
3E-100	3E-100	3F-100	3F-100	3F-100

Beschlagteile

1 Quarter turns



→ Please see next page for second part. Survey of further products.

← Please see previous page for first part. Survey of further products.

2 Rod controls

3 Locking systems

•	•			
•	•	•	•	•
IP 54	IP 54	IP 40	IP 40	IP 40
•	•	•	•	
•	•	•	•	
•	•	•	•	•
•	•	•	•	
•	•	•	•	
•	•	•	•	
•	•	•	•	•
•	•	•	•	•
•	•	•	•	•
•	•	•	•	•

- Assembling inside the gasketing
- Outside the gasketing
- Protection: IP
- Unlocked with insert
- Unlocked with round cylinder
- Unlocked with profile half cylinder
- Unlocked electronically
- Unlocked without key
- Modular locking
- Handle and escutcheon polyamide
- Handle zinc die and escutcheon polyamide
- Handle and escutcheon zinc die
- Handle and escutcheon stainless steel
- Fitting escutcheons