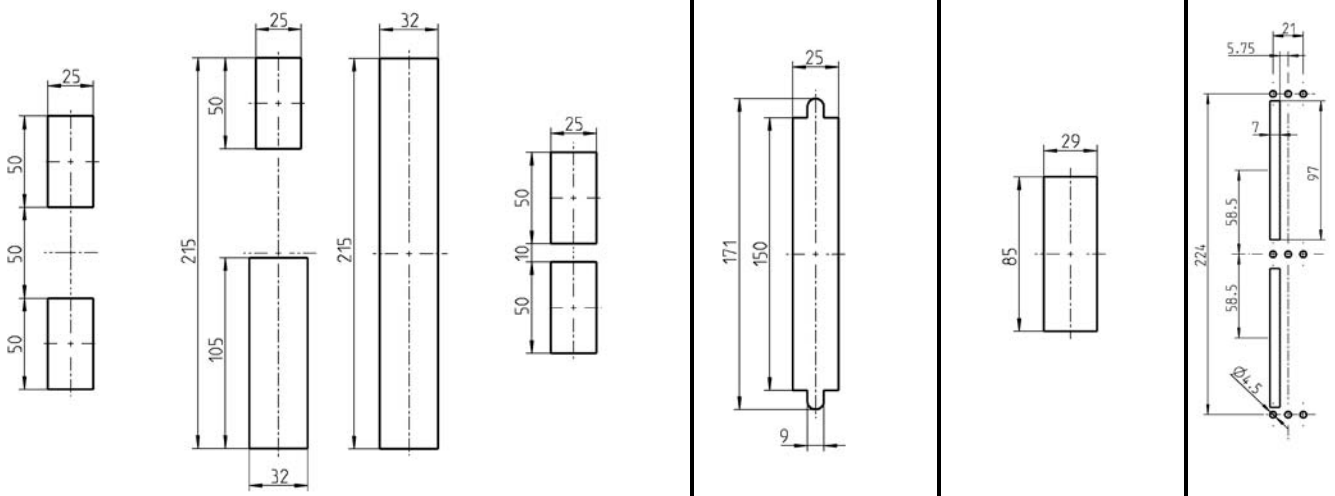
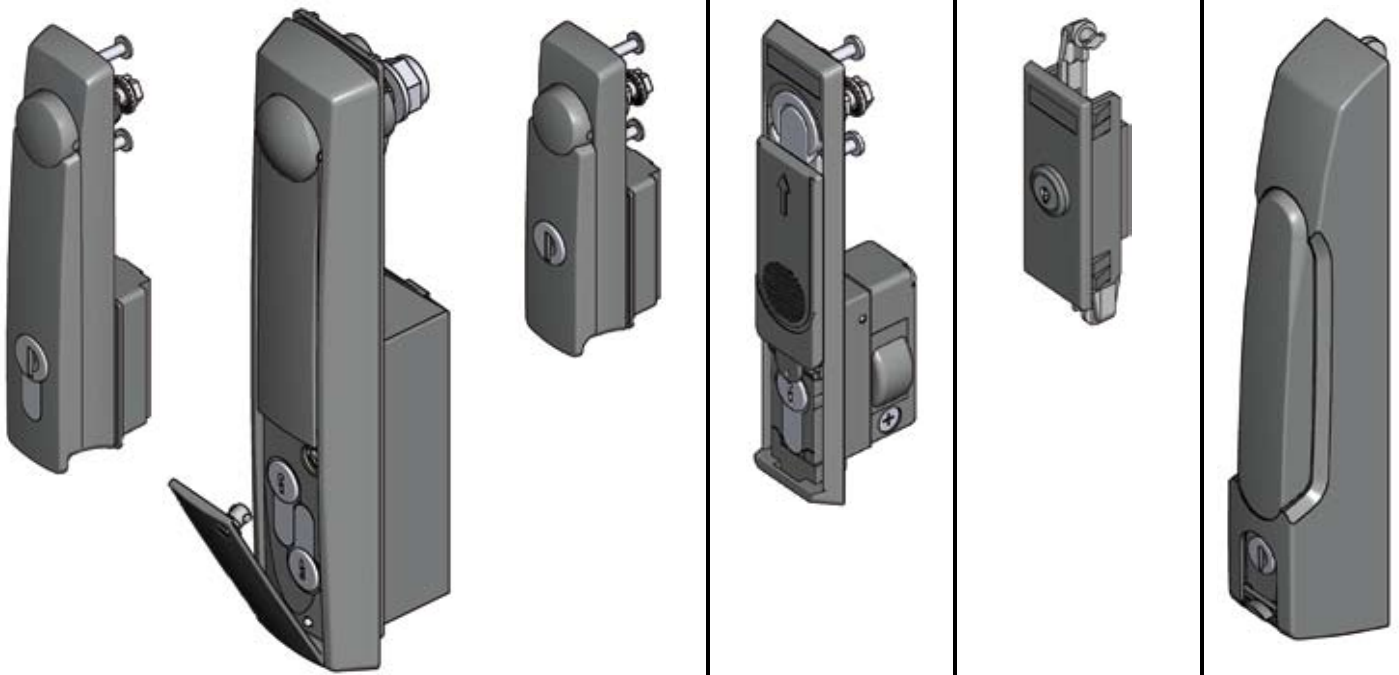


Swinghandles, lift handles, and escutcheons, part 3

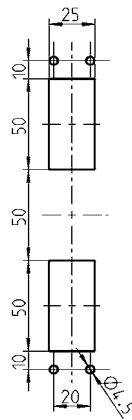
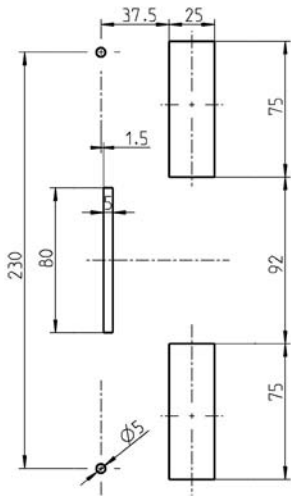
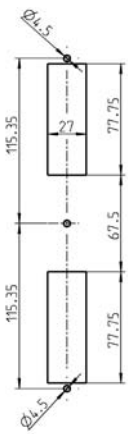
1225	1225	1225	2100	2300	2400
Swinghandle	Double cylinder-Swinghandle	Swinghandle	Swinghandle	Escutcheon	Swinghandle
3G-100	3G-100	3G-100	3H-100	3J-100	3K-100



•	•	•	•	•	•
•			•	•	•
IP 40/IP 65	IP 65	IP 65	IP 54	IP 40	IP 40
•			•	•	•
•	•	•	•	•	•
•			•		•
•			•		•
•			•		•
•	•	•	•	•	•
•			•		•
•			•		•
•			•		•

2400 Escutcheon	2600 Swinghandle	3000 Swinghandle	
3K-100	3L-100	3N-100	

Beschlagteile
see page



Please see previous page for first part. Survey of further products.

			●
●	●		●
IP 40	IP 54	IP 42	
●	●		
●	●		
●	●		
●	●	●	
●	●		
●	●		
●	●	●	
			●

Assembling inside the gasketing
Outside the gasketing
Protection: IP
Unlocked with insert
Unlocked with round cylinder
Unlocked with profile half cylinder
Unlocked electronically
Unlocked without key
Modular locking
Handle and escutcheon polyamide
Handle zinc die and escutcheon polyamide
Handle and escutcheon zinc die
Handle and escutcheon stainless steel
Fitting escutcheons