

Engineered  
vibration testing  
solutions for  
improved  
product quality.

**Team Corporation**  
11591 Watertank Road  
Burlington, WA 98233  
Tel: (360) 757-8601  
Fax: (360) 757-4401  
sales@teamcorporation.com  
www.teamcorporation.com

**Team Corporation UK**  
**Team Corporation UK Ltd**  
11 Old Ladies Court  
High Street  
Battle  
East Sussex  
TN33 0AH  
United Kingdom  
Tel: +44 (0) 1424 777004  
Fax: +44 (0) 1424 777005  
sales@teamcorporation.co.uk  
service@teamcorporation.co.uk  
www.teamcorporation.co.uk

# V-8 & T-8 Bearings

The V-8 and T-8 Hydrostatic Bearings are *Team's* most popular stand-alone bearing.

These bearings can be used with electro-dynamic and servo-hydraulic shakers having as much as 2 inches of stroke.

Each bearing can carry as much as 10,000 lbs of vertical, so most test packages can be accommodated with 4 or 6 bearings.

The V-8 and T-8 are easy to use and require little maintenance. The base of each bearing features an "air pad" to facilitate movement and alignment of the bearings. A filter on the inlet line assures that only clean oil reaches the bearing.



## Features:

- Stiffest bearing system available.
- Easily stored when not in use.
- Air pad for ease of movement and alignment
- Low-maintenance
- 2.5 inch (63.5 mm) stroke
- 10,000 lb (44.5 kN) vertical load

## Applications:

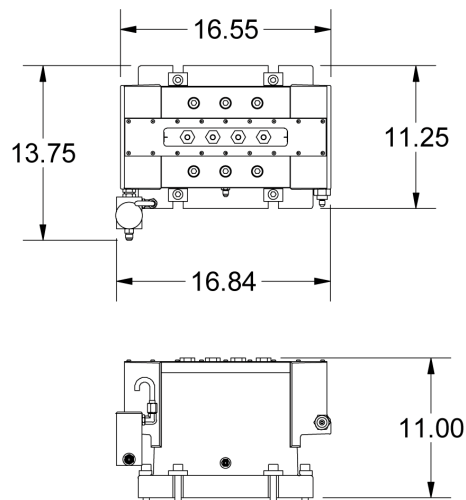
- Guidance of heavy or bulky test specimens.
- Use as outriggers with existing slip tables.
- Attach long or wide test articles directly to the bearing.
- Use for custom slip table designs.

# Specifications

## Standard Bearing

	<b>T8 - 2.5</b>	<b>V8 - 2.5</b>
Total Travel, inches (mm)	2.5 (63.5)	2.5 (63.5)
Side Motion, inches (mm)	0.050 (1.3)	0 (0)
Moving Weight, lbs (kg)	11 (5.0)	12 (5.4)
Viscous Drag, lb-sec./inch (N-sec./m)	~1.5 (262.7)	~2 (350.2)
Vertical Stiffness, lb/inch (N/m)	$8 \times 10^6$ ( $1.4 \times 10^9$ )	$8 \times 10^6$ ( $1.4 \times 10^9$ )
Flow Required	0.10 gpm @ 3,000 psi	0.4 liter/min @ 210 bar
<b>Rated Loads</b>		
Vertical, lb (N)	10,000 (44.5 N)	10,000 (44.5 N)
Pitch Moment, lb-feet (N-m)	1,750 (2.4 N-m)	1,750 (2.4 N-m)
Roll Moment, lb-feet (N-m)	1,660 (2.2 N-m)	880 (1.2 N-m)

V8/T8 Bearing

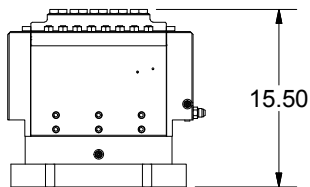
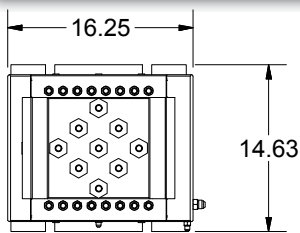


## 914 Heavy Duty Bearing

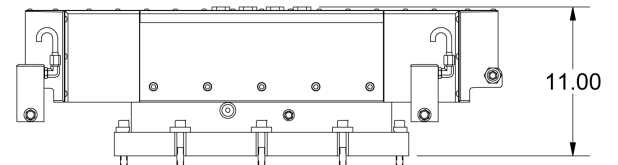
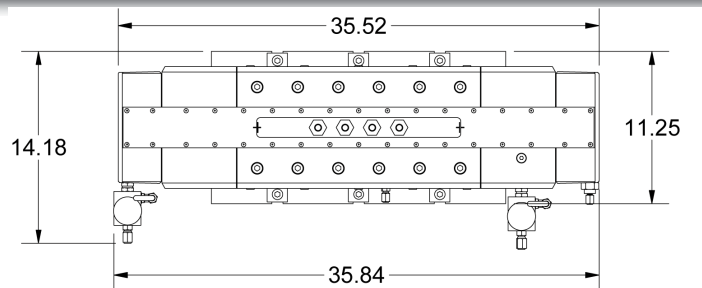
## Long Stroke Bearing

(\* other sizes available upon request)

	914T - 2.5	914V - 2.5	T-8 - 7.0	V8 - 7.0
Total Travel, inches (mm)	2.5 (63.5)	2.5 (63.5)	7.0 (178)	7.0 (178)
Side Motion, inches (mm)	0.050 (1.3)	0 (0)	0.050 (1.3)	0 (0)
Moving Weight, lbs (kg)	54 (24.5)	65 (29.5)	26 (11.8)	29 (13.2)
Viscous Drag, lb-sec/in. (N-sec/m)	6 (1050)	9 (1575)	5 (875)	5 (875)
Vertical Stiffness, lb/in (N/m)	30xE06 (5.2xE09)	40xE06 (7xE09)	8xE06 (1.4xE09)	8xE06 (1.4xE09)
Flow Required	0.10 gpm @ 3,000 psi	0.4 liter/min @ 210 bar	0.10 gpm @ 3,000 psi	0.4 liter/min @ 210 bar
<b>Rated Loads</b>				
Vertical, lb (N)	42,000 (186)	42,000 (186)	20,000 (89)	20,000 (89)
Pitch Moment, lb-feet (N-m)	7,200 (9.76)	10,500 (14.2)	2,500 (3.39)	2,500 (3.39)
Roll Moment, lb-feet (N-m)	10,000 (13.5)	9,000 (12.0)	3,000 (4.0)	1,500 (2.0)
Shipping Weight, Lbs (kg)	545 (247)	675 (306)	390 (177)	500 (227)



Model 914 Bearing



Long Stroke Bearing





### **U.S. Headquarters**

Team Corporation  
11591 Watertank Road  
Burlington, WA 98233  
USA

Tel: (360) 757-8601  
Fax: (360) 757-4401

[sales@teamcorporation.com](mailto:sales@teamcorporation.com)  
[www.teamcorporation.com](http://www.teamcorporation.com)



### **UK Headquarters**

Team Corporation UK  
Team Corporation UK Ltd  
11 Old Ladies Court  
High Street  
Battle  
East Sussex  
TN33 0AH  
United Kingdom

Tel: +44 (0) 1424 777004  
Fax: +44 (0) 1424 777005

[sales@teamcorporation.co.uk](mailto:sales@teamcorporation.co.uk)  
[service@teamcorporation.co.uk](mailto:service@teamcorporation.co.uk)  
[www.teamcorporation.co.uk](http://www.teamcorporation.co.uk)

*A wholly owned subsidiary of Team Corporation*

