



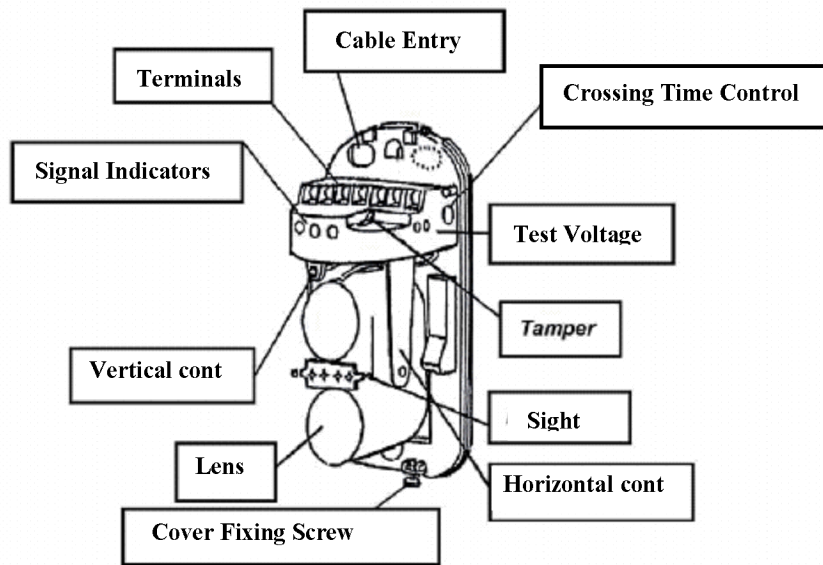
DOUBLE BEAM INFRARED BARRIER PIPS/60-2

Read the following instructions carefully to ensure correct installation and operation of the barrier.

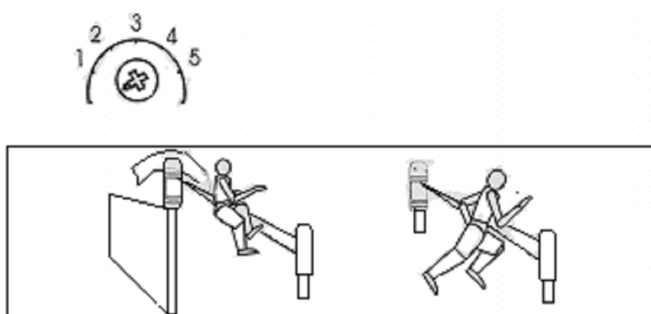
NOTE

This system is designed to detect an intrusion and to signal an alarm, not to prevent the intrusion.
Improper use, incorrect installation or lack of maintenance can damage the unit.
GPS Perimeter Systems reserves the right to modify the contents of this publication without prior notice.

1.0 Description



2.0 Crossing Time



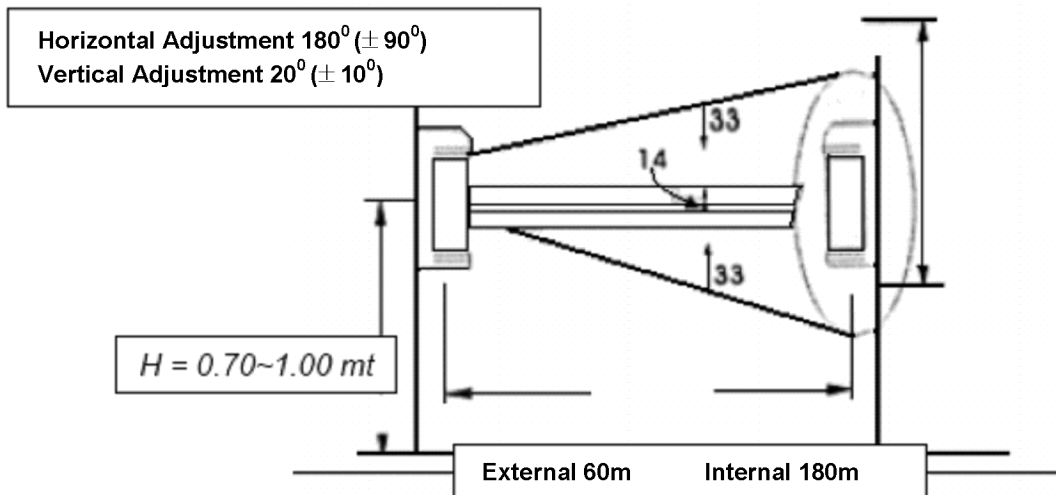
VALUE	CROSSING TIME
1	Run Fast 30-50mSecs
2	Run Normal 150mSecs
3	Walk Fast 200mSecs
4	Walk Normal 300mSecs
5	Walk Slow 400-500mSecs

Use the trimmer on the side of the detector as required

3.0 Indicator Led

GOOD = Green indicator for correct alignment of the barrier.
LEVEL = Red alignment indicator; the brighter the indicator the better the alignment.
ALARM = Indicator for alarm detection.
POWER = Power Supply Indicator.

4.0 Coverage



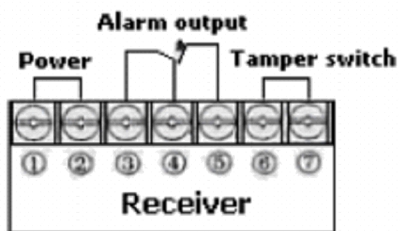
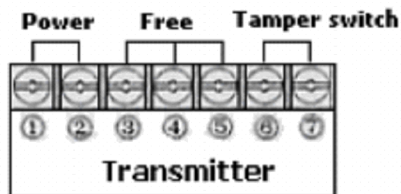
5.0 Connections and Cable Dimensions

Inside both the transmitter and receiver there are screw terminals for connection of the cables:

1-2 **POWER** = power at 12/24 Vdc

3-4-5 **FREE (TX) ALARM (RX)** = voltage free alarm contact

6-7 = Tamper



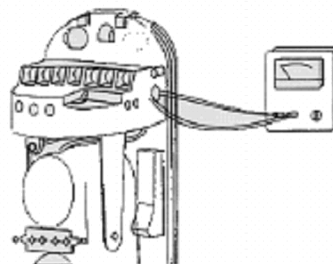
Diameter	13.8 Vdc	24 Vdc
0.5 mm ²	300 m	600 m
0.75 mm ²	400 m	800 m
1.25 mm ²	700 m	1400 m
2.0 mm ²	1000 m	2000 m

6.0 Test

Using a filter first cover the top transmitter and then the bottom transmitter.

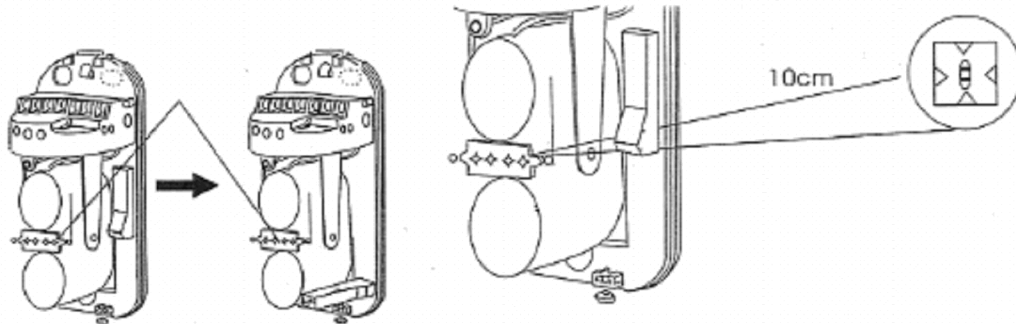
The voltage for each beam should be not less than 1.2 – 1.3v

Observe the polarity



7.0 Barrier Alignment

Use the sight (see figure) that is located between the two IR lenses. It is an optical mirror site and it is necessary to look into the small cylinder on the side from a distance of about 10 cm. To carry out the vertical adjustment use the appropriate screw.



8.0 Technical Characteristics

Detector Type	Infrared Photoelectric
Range	Internal: 180 m External: 60m
Number of Beams	2
Crossing Time	50 – 700sec selectable by trimmer
Alarm Time	Approx 2 seconds
Alarm Relay	Contact N.C. 30V AC/DC 0.5A
Tamper	N.C. on cover
Adjustment	$\pm 10^\circ$ vertical and $\pm 90^\circ$ horizontal
Installation	On a wall or on a pole
Humidity Protection	Suitable for external use
Power Supply	13.8 – 24 Vdc or 11 – 18 Vac
Current	55mA
Weight	0.65 Kg
Dimensions	85 x 170 x 70 mm



GPS Perimeter Systems Ltd.

14 Low Farm Place
Moulton Park, Northampton,
NN3 6HY, UK

e-mail: info@gpsperimeter.co.uk Web Site: www.gpsperimeter.co.uk

Tel. +44 (0)1604 648344
Fax. +44 (0)1604 646097