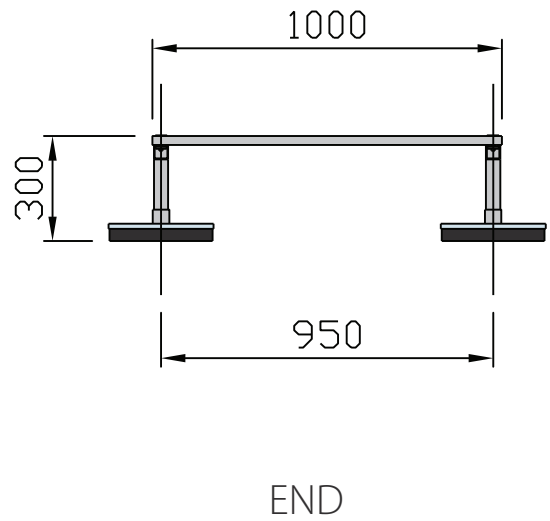
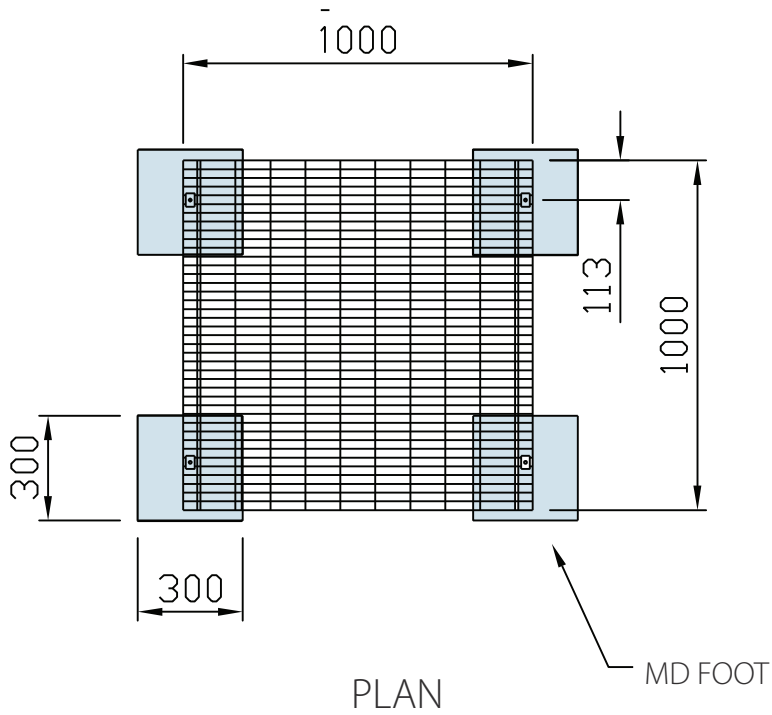
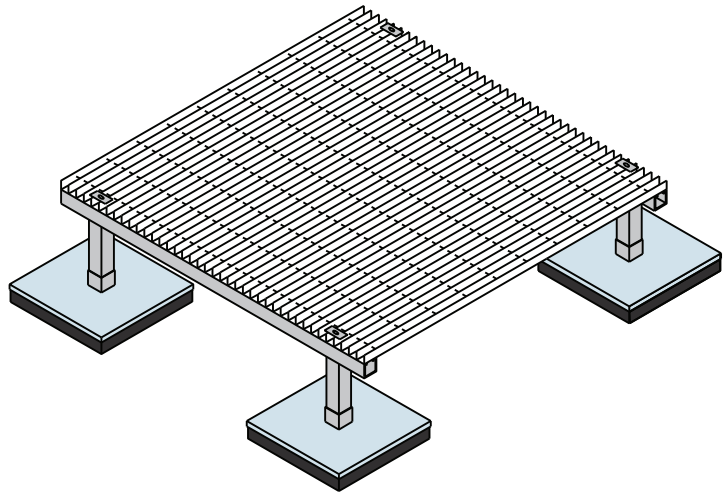




## MD STEP OVER



### CONSTRUCTION

- 1 100 X 25 GRID
- 2 41 X 41 CHANNEL
- 3 STD MD FEET

This drawing remains the property of Roof Runner and is loaned on condition that it is not reproduced, copied or loaned to any third party, in part or whole, without our expressed permission.