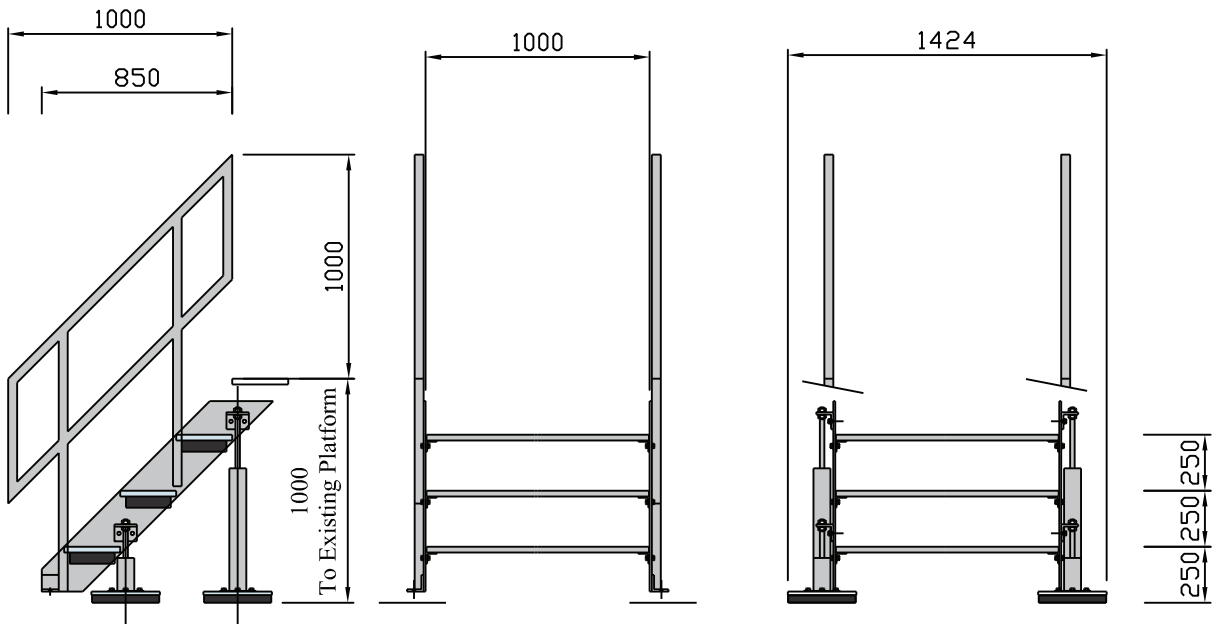
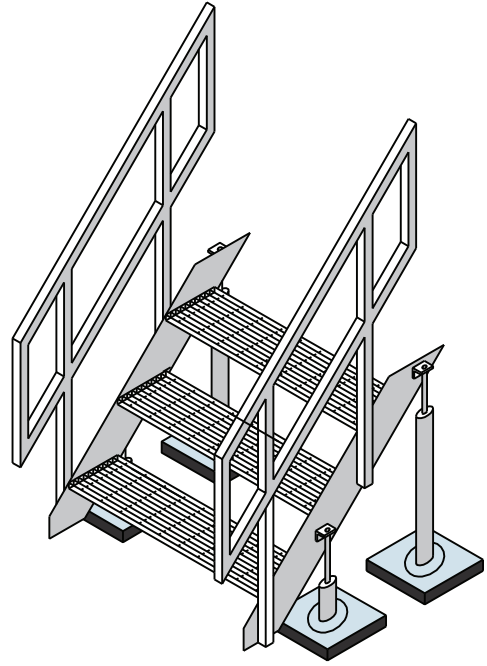




MD STEP UP



SIDE

FRONT
SHOWING HANDRAIL

FRONT
SHOWING SUPPORTS

CONSTRUCTION

- 1 100 X 25 GRID
- 2 40 X 40 RHS & 6THK PLATE
- 3 STD MD FEET

This drawing remains the property of Roof Runner and is loaned on condition that it is not reproduced, copied or loaned to any third party, in part or whole, without our expressed permission.