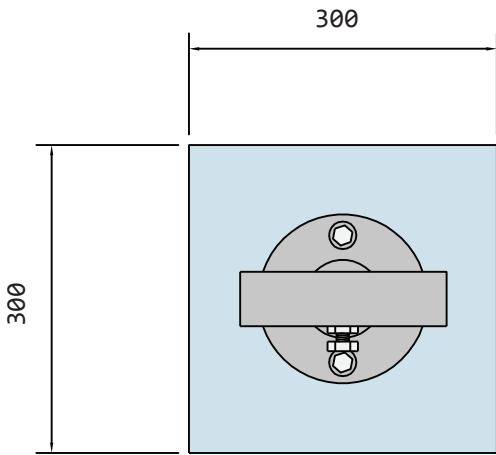
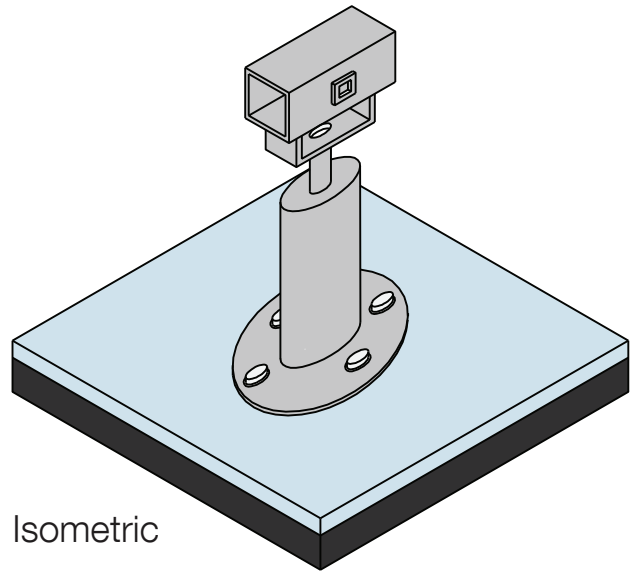




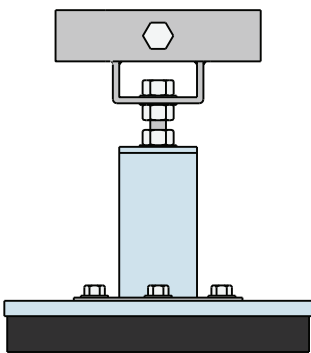
MD FOOT



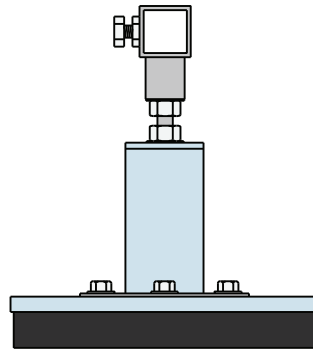
Plan



Isometric



Elevation



Side