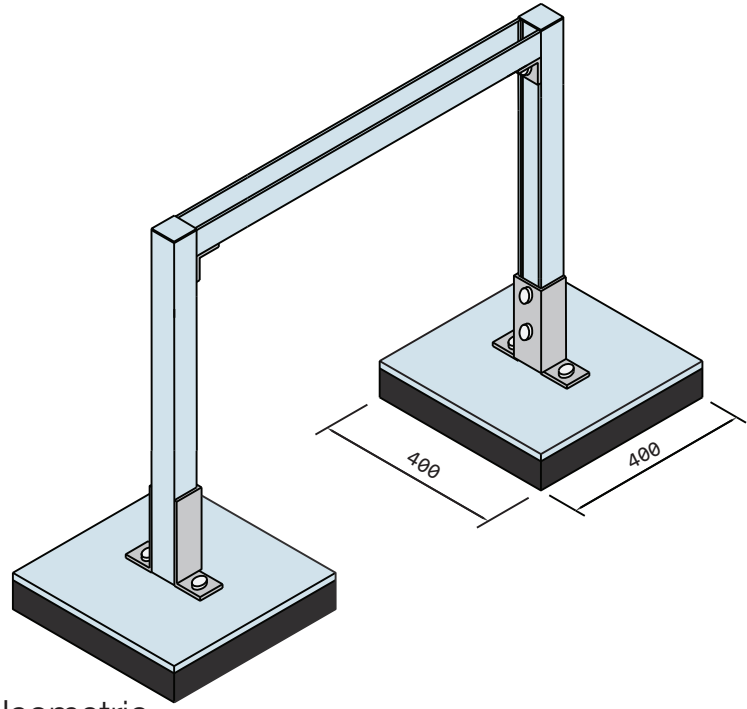
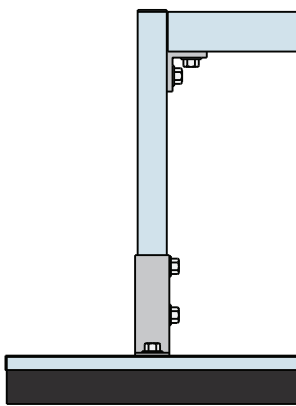




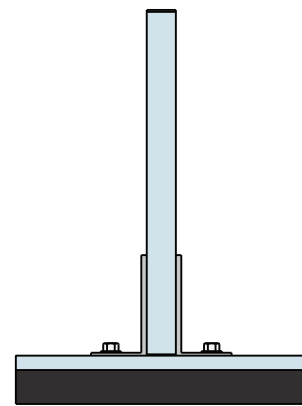
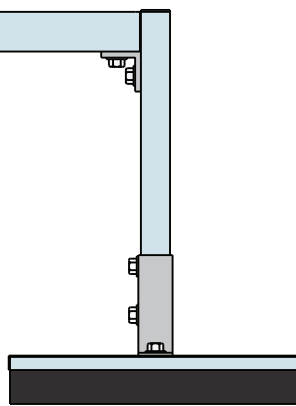
HD FRAME



Isometric



Elevation



Side