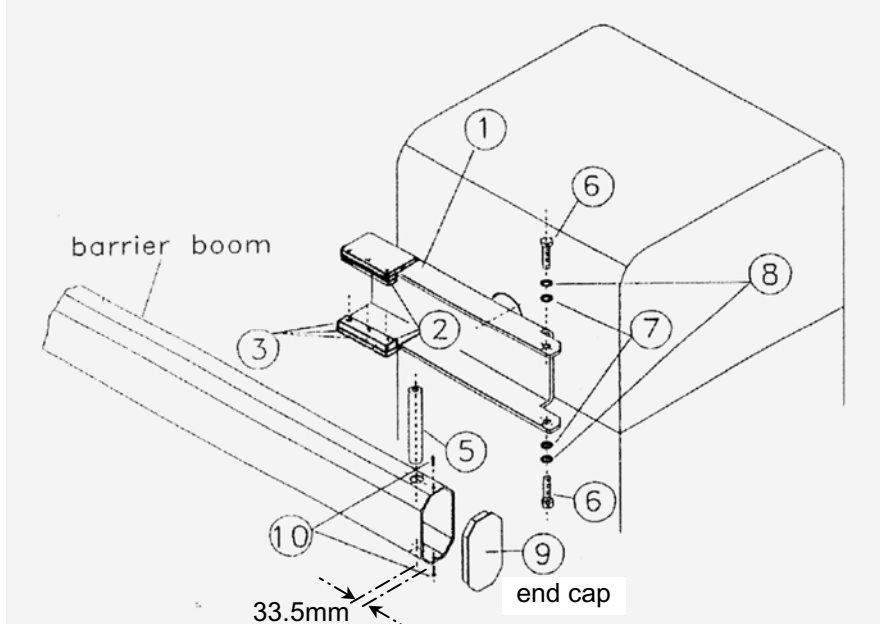


MAGSTOP

Swing Away Fixing (Octagonal Boom)

Mounting instructions for MIB "swing-away fixing" up to 3.5m maximum boom length (octagonal boom section)



Pos	Description	Qty	Part No.
1	Flange for "swing-away"	1	1014,0051
2	Clamping fixture (plastic)	2	2041,0041
3	Countersunk screw M4x16 DIN963 A2	6	3487,0048
5	Steel sleeve dia 16x99mm	1	2017,0267
6	Hexagonal screw M8x30 DIN912 A2	2	3484,0054
7	Washer A8.4 DIN9021 A2	2	3500,0008
8	Spring washer A8 DIN125 A2	2	3098,0023
9	End cap (rear)	-	
10	Screw M3x6	-	

1. Place steel sleeve (Pos 5) through the bore holes (dia 16.5mm) of the barrier boom. For this it is recommended to unscrew the rear end cap.
2. Put the barrier boom into the rear end of the flange and fix it with the screws, spring washers and washers (Pos 6, 7 & 8). Tighten down the fixing screws firmly in order to clamp the steel sleeve with the flange.
3. Swing the barrier boom to its normal position so that it is fixed in the clamping fixture (Pos 2).
4. Screw the rear end cap (Pos 9) to the barrier boom.

Function:

In the event that a vehicle drives into the barrier boom, it disengages from the clamping fixture and is swung sideways. As there is now no counterweight to the springs, the flange is turned to the "OPEN" position. The boom is now lying at right angles to its normal operating plane.

Before retuning the boom to its normal position the boom attachment screws (pos 6) must be tightened down firmly to prevent the boom from bouncing on disengagement.