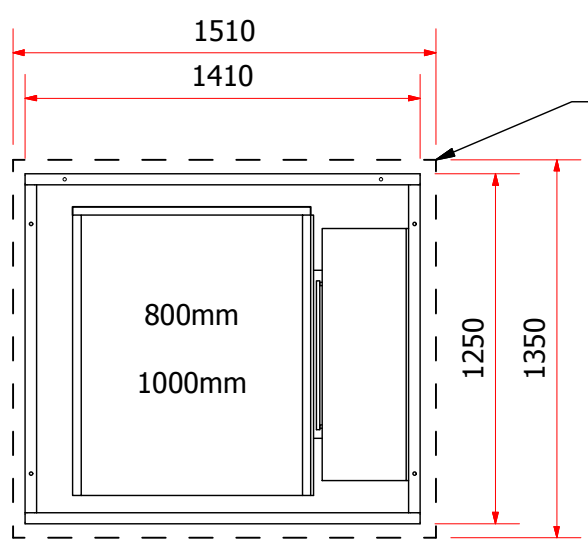


LOAD//
UNLOAD

LOAD//
UNLOAD



Hole in existing mezzanine
to be cut - 50mm clearance all round

UNLESS STATED OTHERWISE, GENERAL TOLERANCES TO ISO 2768
TOLERANCE CLASS 'm' FOR MACHINING & 'v' FOR FABRICATION

Customer Ref.			PH Job Number		
Drawn By:	Checked By:	Approved by - Date	Quantity 1 off	Date 23/08/2011	Design State WorkInProgress
Title: Charles Tyrwhitts Mezz Guard Assembly			Material As Per Part		Dimensions mm
			Projection ⊙ □		Scale on A3
Drg No. CTS - Guard Frame.iam			Edition A		Sheet Number 2
Part Number/Reference CTS - Guard Frame					