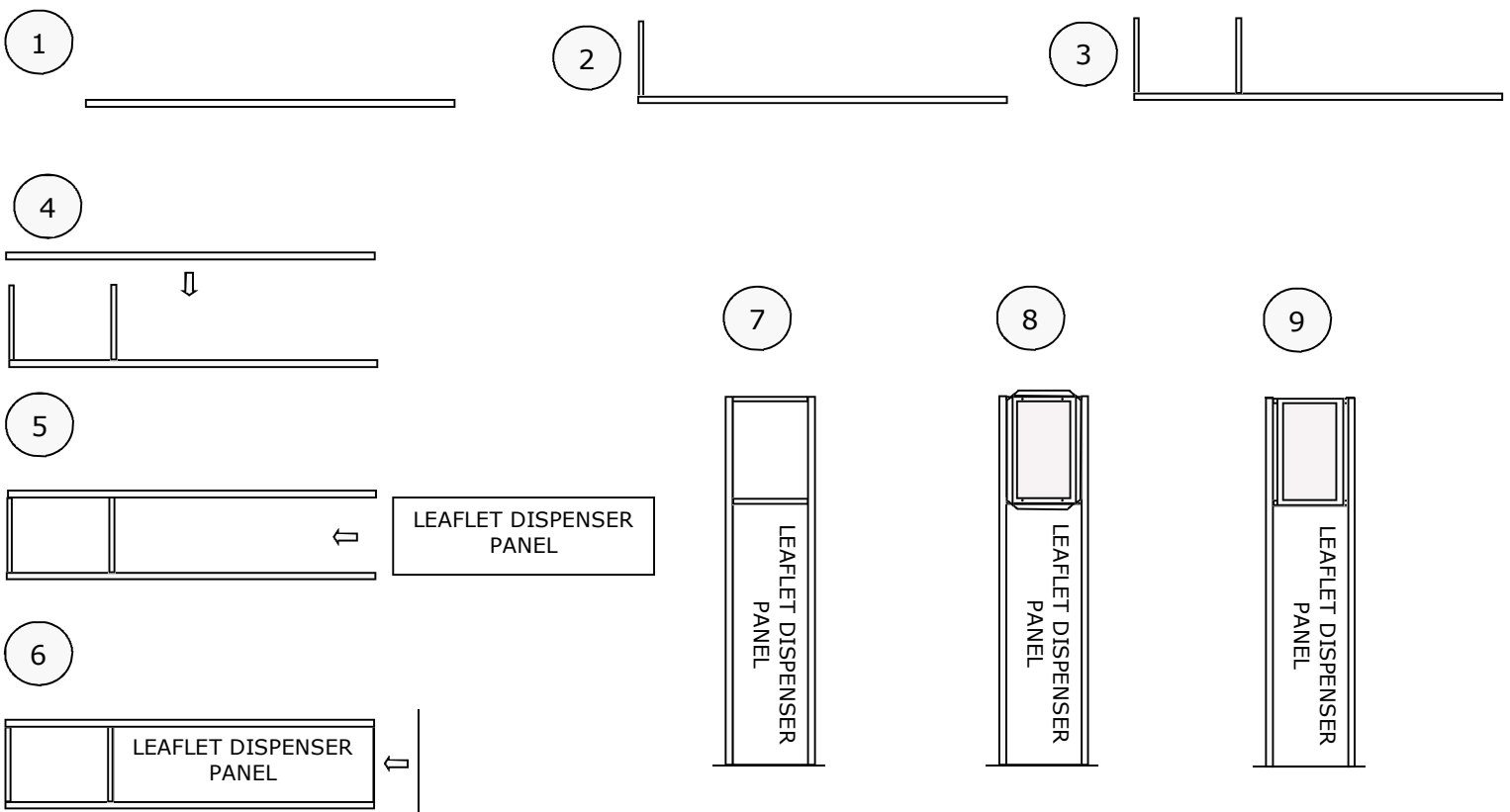


LF8A: Snap frame & leaflet dispenser panels in free standing frames

ASSEMBLY INSTRUCTIONS

(NOTE: Assembly is simpler with 2 people!)

1. Lay one post horizontally on a flat surface with one of the channels uppermost.
2. Fix one cross-bar (see overleaf) at the very end of the post.
3. Fix the second cross-bar loosely in position as shown, with the fixing holes facing the same way as on the first cross-bar.
4. Place the second post in position, then tighten the top cross-bar locks to hold securely in position. Leave the second cross-bar fixed loosely in position.
5. Slide the leaflet dispenser panel into the channels of the posts, adjusting the position of the second cross-bar if necessary to ensure that the bottom of the dispenser panel is level with the bottom of the posts.
6. Fix the base to the posts (see overleaf).
7. Stand display up.
8. Open snap frame edges and screw into holes in cross-bars using supplied screws, adjusting the position of the cross-bars if necessary.
9. Push end caps into tops of posts.

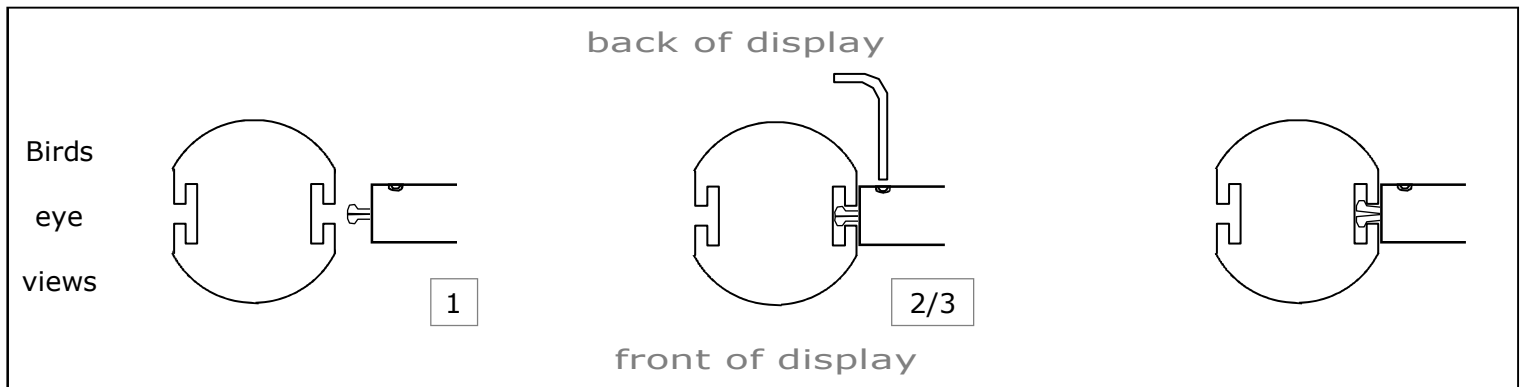


LF8A: Snap frame & leaflet dispenser panels in free standing frames

ASSEMBLY INSTRUCTIONS

FIX CROSS-BAR TO POST

1. Ensure that parts of lock in end of cross-bar are 'together'
2. Position lock in post so that cross-bar is in desired position
3. Use allen key to tighten lock so that lock opens and cross-bar is held securely in place



FIX BASES TO POSTS

1. Undo spigot (remove bolt)
2. Put bolt through weighted base plate from underside
3. Part-screw rectangular fitting (comes split diagonally into two parts) back on to bolt
4. Place rectangular part of fitting inside base of post (opposite end to angled plate)
5. Tighten bolt using large allen key supplied (to lock post securely to base).

