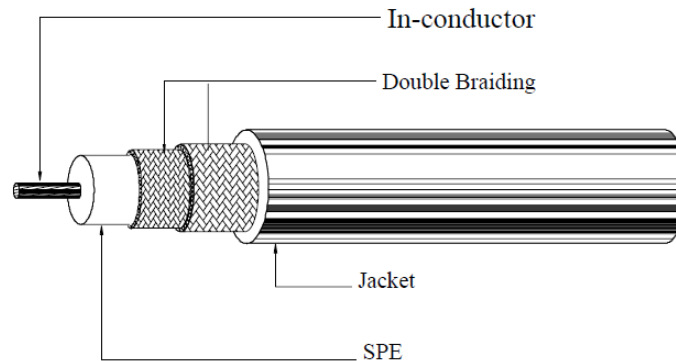


RG 223 /U PVC, 100m



Application

For communication and signal control systems

Reference Standards

Customer's sample spec and the general standard

Multi Construction

1

Cable Construction

Conductor: Silver Plated Copper

Construction: 0.89

Standard Dia.(mm): 0.89

Insulation: SPE

Thickness: 1.02

Insulation Dia.(mm): 2.95

Insulation Colour: Nature

Shield:

Braiding Layer 1: Silver Plated Copper

Construction (stranded): 0.13±0.008×16×7

Braiding Coverage: 95%

Braiding Layer 2: Silver Plated Copper

Construction (stranded): 0.13±0.008×16×7

Braiding Coverage: 95.0%

Jacket: PVC

Thickness (mm): >=0.60

Dia. (+/-0.1mm): 5.40

Jacket Colour: Black

Marking: RG 223 /U 50 Ohm PVC [MM] {WkYr}

Packaging: 100m reels

Electrical Characteristics

Max. Conductor DC Resistance at 20°C (Ω /Km) : <29.9

Impedance (Ω): 50+/-2

Min. Insulation DC Resistance at 500V ($M\Omega$ *KM) : >10000

Withstand Voltage of Sheath: 3kV AC, 4.5kV DC

Rated Temperature (°C): 80

Withstand Voltage of Dielectric: 2.4kV AC, 3.4kV DC

Rated Voltage (V): 30

Attenuation at 20°C (dB/100m) (+/-8%):

30 MHz – 7.0

200 MHz – 19.0

500 MHz – 30.0

1000 MHz – 42.0

3000 MHz – 76.0

Capacitance (pF/m): 101

Velocity Ratio: 66%

RoHS Guideline

We Operate According To The Following Standards.

Control Item	Standard	Testing Method	Testing Equipment
Cadmium Content (Cd)	<0.01%	EN1122	ICP-AES
Lead Content (Pb)	<0.1%	EPA3050B	ICP-AES
Mercury Content (Hg)	<0.1%	EPA3052	ICP-AES
Chromium (VI) Content	<0.1%	EPA3060(UN-VIS)	ICP-AES
Polybrominated Biphenyls (PBB)	Forbidden	GC/MS	
Polybrominated Diphenyl Ether (PBDE)	Forbidden	GC/MC	

This is a reprint of the manufacturer's datasheet; please refer to the cable manufacturer for further details. GCA Ltd makes no claims as to the warranty of the information contained in this datasheet.