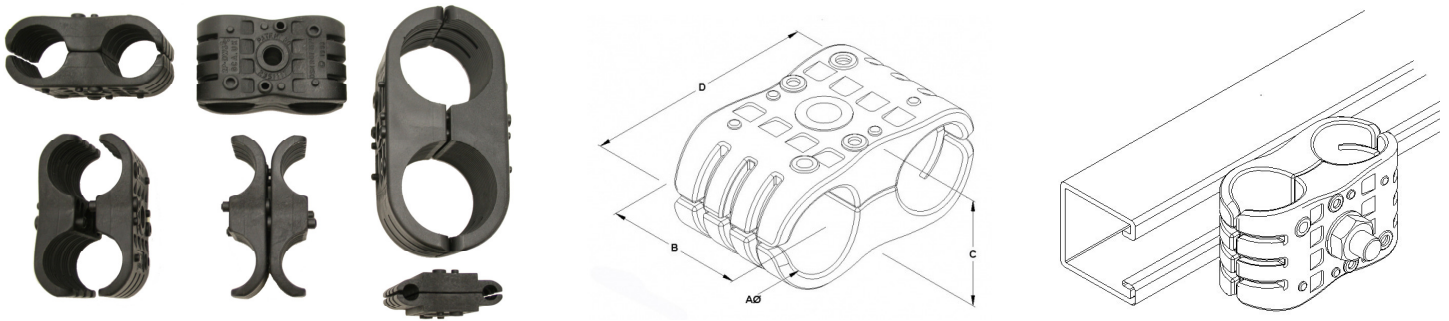


Double Clamps



All two piece double clamps are designed to precisely fit the cable diameter. These GCA Ltd double clamps are manufactured in high grade polypropylene and UV stabilised to prevent degradation or breaking. For 'flame retardant' clamps to UL94V-0 (0.8mm) LSF Halogen and Phosphorus free material state '2P-DW007.5mm - FR'

Material: Polypropylene

Temperature Range: -40°C to +85°C (-40°F to +185°F)

| Part Number | Cable Size | Colour | A | B | C | D | Weight | Pack Qty | Box Qty |
|---------------|------------|--------|-----|----|----|-----|--------|----------|---------|
| 2P-DW006.5mm | 2 x 6.5mm | Black | 6.5 | 44 | 24 | 60 | 0.02 | 25 | 600 |
| 2P-DW007.5mm | 2 x 7.5mm | Black | 7.5 | 44 | 24 | 60 | 0.02 | 25 | 600 |
| 2P-DW008.5mm | 2 x 8.5mm | Black | 8.5 | 44 | 24 | 60 | 0.02 | 25 | 600 |
| 2P-DW0-11mm | 2 x 11mm | Black | 11 | 44 | 24 | 60 | 0.03 | 25 | 600 |
| 2P-DW1-13mm | 2 x 13mm | Black | 13 | 44 | 27 | 70 | 0.04 | 25 | 500 |
| 2P-DW2-1/2" | 2 x 1/2" | Black | 16 | 44 | 27 | 74 | 0.04 | 20 | 500 |
| 2P-DW4-5/8" | 2 x 5/8" | Black | 21 | 44 | 33 | 76 | 0.05 | 20 | 400 |
| 2P-DW5-7/8" | 2 x 7/8" | Black | 28 | 44 | 42 | 83 | 0.05 | 20 | 320 |
| 2P-DW7-1 1/4" | 2 x 1-1/4" | Black | 40 | 44 | 60 | 114 | 0.10 | 10 | 140 |
| 2P-DW8-1 5/8" | 2 x 1-5/8" | Black | 50 | 44 | 70 | 136 | 0.14 | 10 | 100 |

* M8 fixings can be used with appropriate M8 washers.

* N.B. Flexibility of clamps allow tolerance of plus (+) 1mm, and minus (-) 0.2mm.



Cable Clamp Cross-Reference Chart

| Single Clamp | Double Clamp | 4 Way Clamp | Clamp Dia (mm) | Andrew Feeder type | RFS Feeder Type | Leoni Feeder Type | LS Cables Feeder Type | Other Cables |
|--------------|--------------|-------------|----------------|--|-----------------------------------|---------------------------------|-----------------------|--|
| BW054 | - | 4BW054 | 5.4 | FSJ057-50, CNT195, CNT240 | - | - | - | RG223 & RG588, Cat 5e UTP, ANY CABLES 5-6mm |
| BW075 | DW0075 | - | 7.5 | HS1RP-50A, FSJ 1.50A, ETS1-50T, CNT 300 | SCF 14-50 | LC DUPLEX FIBRE OPTIC 84950504G | - | INTERCOND 48, VET CONTROL CABLES |
| BW085 | DW0085 | - | 8.5 | LDF1-50, HST1-50 | - | 1/4" R (PE) | - | RG6, RET CONTROL CABLE, 2-CORE DC POWER CABLE, SINGLE CORE COPPER EARTH CABLE |
| BW0 | DW0 | 4BW0 | 11 | LDF2-50, FSJ 2.50, ETS2-50T, HS2RP-50, HST2-50, CNT400 | LCF14-50, LCF38-50, SCF 38-50 | - | HSFC 10D | RG213 & RG214- 50 ohm, RG8 & RG11- 75 ohm, LMR400, BELDEN 9913, SFX-500, AS1228, H1000, XRD1567, |
| BW1 | DW1 | - | 13 | FSJ4.50B, HS4RP-50, HST4-50 | HCA 38-50, SCF12-50 | - | - | RG215 & RG217 - 50 ohm, XRD1568 |
| BW2 | DW2 | - | 16 (1/2") | LDF4-50, HLT4-50T, HJ4-50, HL4RP-50, CNT600 | LCF12-50 | 1/2" R (PE) | HFC 12D, HFSC-FR 12D | LDF4.50 CABLE WITH MESSENGER WIRE, USE BW1.4-1/2" MESSENGER WIRE |
| BW4 | DW4 | - | 21 (5/8") | LDF4.50-50, HJ4-50-50 | LCF58-50, HCA58-50 | - | - | Reka XCMK-HF DC CABLE |
| BW5 | DW5 | - | 28 (7/8") | LDF5.50, AVA5-50, HJ5-50, VXL5-50 | LCF78-50, HCA78-50, UCT78-50, JFN | 7/8" R (PE) | HFC 22D, HFSC-FR 22D | RG220-50ohms, LDF5.50 - CABLE WITH MESSENGER WIRE USE – REF: BW2.0-7/8" MESSENGER WIRE |
| BW7 | DW7 | - | 40 (1-1/4") | LDF6-50 | LCF114-50, UCF114-50 | 1-1/4" R (PE) | HFC 33D | |
| BW8 | DW8 | - | 50 (1-5/8") | LDF7-50, AVA7-50, VXL 7-50 | LCF158-50, HCA158-50 | 1-5/8" R (PE) | HFC 42D | CR50-1873, HF158-50 |
| BW9 | - | - | 57 (2-1/4") | HJ12-50, LDF12-50 | LCF214-50, HCA214-50 | - | - | - |

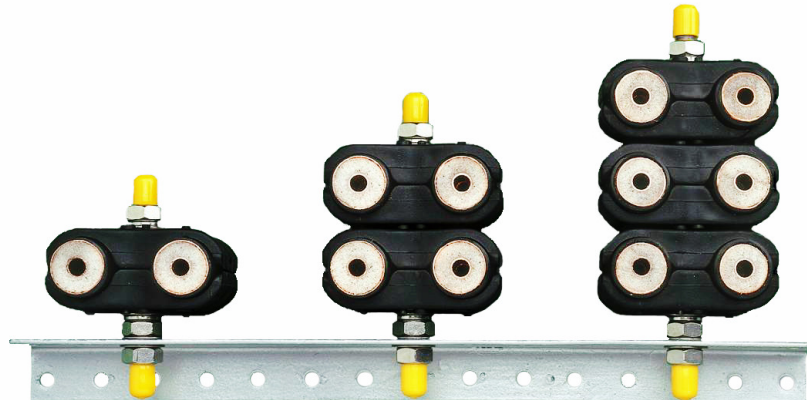
* Cable clamp cross references are provided as a guideline and are subject to changes made by cable manufacturers.

* Please note that all clamps are designed to interlock when installed back to back, to maximise space on busy towers.

* All items in this publication are covered by copyright laws and GCA Ltd patent number 2351117.

Installation Guidelines for Clamps

Studding Lengths Required for Stacking Clamps



Length of M10 stainless steel threaded studding required for stacking: - single, two or three double or single GCA Ltd clamps, using a maximum 3 x M10 s/s Full Hexagon Nuts, 4 x M10 s/s Form 'B' Flat washers, and 2 x M10 s/s SQ Section Spring Coil Washers. N.B We have allowed additional 4mm for steel work and approx. 15mm maximum – studding protruding after tightening of clamps.

| GCA Clamp Part Number | Clamp Stack Height | Studding Size mm | Clamp Stack Height | Studding Size mm | Clamp Stack Height | Studding Size mm |
|-----------------------|--------------------|------------------|--------------------|------------------|--------------------|------------------|
| 2P-DW0-11mm | 1 | M10x80 | 2 | M10x100 | 3 | M10x130 |
| 2P-DW1-13mm | 1 | M10x80 | 2 | M10x100 | 3 | M10x130 |
| 2P-DW2-1/2" | 1 | M10x80 | 2 | M10x110 | 3 | M10x130 |
| 2P-DW5-7/8" * | 1 | M10x85 | 2 | M10x130 | 3 | M10x180 |
| 2P-DW7-1 1/4" | 1 | M10x110 | 2 | M10x170 | 3 | M10x250 |
| 2P-DW8-1 5/8" | 1 | M10x130 | 2 | M10x200 | 3 | M10x280 |

* N.B. Studding lengths for single clamps are the same for double clamps e.g BW5-7/8" triple stack height uses M10x180 which is the same for the "p-DW5-7/8"

Swiveling Clamps at an Angle

To allow clamps to angle to transmitter place 2 qty – M10 flat washers on studding 'between' back to back of clamps to eliminate interlocking. Swivel clamps to required angle (cable position). Finally tighten M10 hexagonal nut.

All items are covered by copyright laws GCA Ltd patent number 2351117

