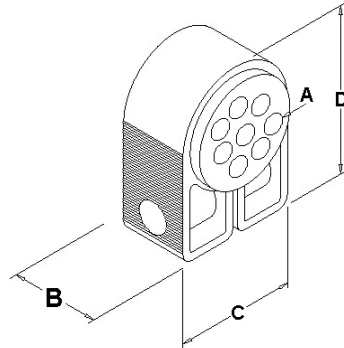


## BW1.2-HS8



- GCA Ltd hold a range of cleats with butyl rubber inserts for general telecoms cables as well as waveguides
- The design of the cleat allows the jaws to come together but stop the cable from being over-tightened therefore eliminating the need for a spacer
- The rubber inserts are certified to BS3227 with 50 shore hardness. Our inserts have ridges top and bottom to guarantee the insert is fully and correctly held in the cleat, and therefore quicker and easier to install

<b>Cable Reference:</b>	Huber & Suhner RPM 253 1633, any cable 4.8mm.
<b>Bolt Hole Size:</b>	M8 or M10
<b>Description:</b>	Cleat Size: 1.2
<b>Pack Qty:</b>	25
<b>Box Qty:</b>	400
<b>DimA (mm):</b>	8 x 4.8
<b>Colour:</b>	Black
<b>Material:</b>	Polyethylene (cleat) & EPDM Rubber (Bung)
<b>GCA Part Number:</b>	BW1.2-HS8