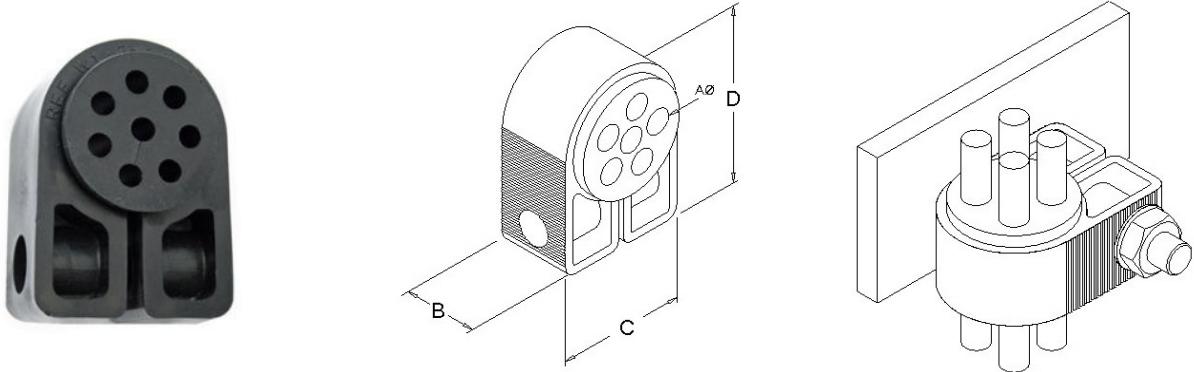


Cleats with Rubber Inserts – for Fibre or Coaxial Cables



- GCA Ltd hold a range of cleats with butyl rubber inserts for general telecoms cables as well as waveguides.
- The design of the cleat allows the jaws to come together but stop the cable from being over-tightened therefore eliminating the need for a spacer.
- The rubber inserts are certified to BS3227 with 50 shore hardness. Our inserts have ridges top and bottom to guarantee the insert is fully and correctly held in the cleat, and therefore quicker and easier to install.

Material: Low density polythene with rubber inserts
Colour: Black

Cleat & Bung Reference.	Cleat Size	Hole Dia	Fibre or Coaxial Cable Reference	Pack Qty	Box Qty
BW0.7-4 HOLE	0.7"	4 x 5.5	RG223 & RG58-50 ohms, BELDEN 9275 & 1505, Cat 5e Data Cable, Any cable 5.5mm dia	100	2000
BW1.2-HS8	1.2"	8 x 4.8	Huber + Suhner Masterline – 4.8mm dia	25	400
BW1.2-8HOLE	1.2"	8 x 5.5	RG223 & RG58-50 ohms, BELDEN 9275 & 1505, Cat 5e Data Cable, Any cable 5.5mm dia	25	400
BW1.2-3HOLE10	1.2"	2 x 6.2 1 x 10.6	2 – 6.2mm DIA. HOLE (6mm Fibre) 1 x 10.6mm (DC Cable, Belden 9913, or RG8)	25	400
BW1.2-3 HOLE6.2	1.2"	3 x 6.2	Cat 5e Ext, Cat 6e Ext or 6mm Dia Fibre	25	400
BW1.4-6 HOLE	1.4"	6 x 8.5	SUPERTUFF D.C. 2 CORE CABLE (8.5mm Dia), Ericsson 6mmSQ DC	25	300
BW1.4-4HOLE	1.4"	4 x 10	BELDEN 9913 CABLE (10.0mm Dia.) & RG11-75 ohm, Ericsson 10mmSQ DC	25	300
BW1.4-1/2" Messenger Wire	1.4"	N/A	LDF4.5 & MESSENGER WIRE LCF 1/2" & MESSENGER WIRE	25	300
BW2.0-7/8" Messenger Wire + 8.5mm Hole	2.0"	N/A	LDF5.50 & MESSENGER WIRE, LCF 7/8" & MESSENGER WIRE	20	200

