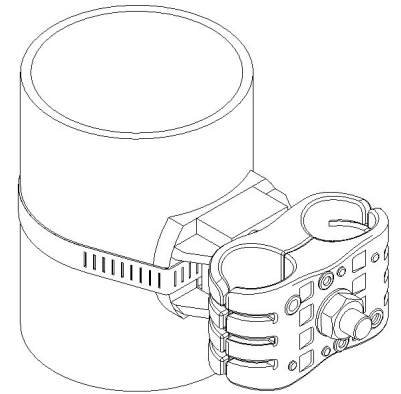
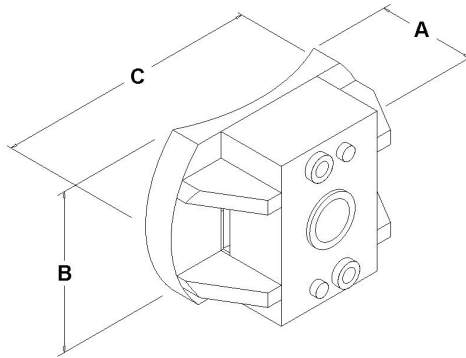
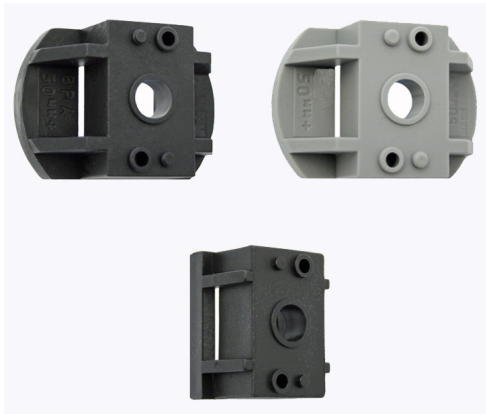


## Tower Leg or Pipe Adaptor



Used when tower legs or steel work must not be drilled again after galvanizing. Suitable for use with either single or double interlocking Graphicclamps.

Can also be used on any flat surface such as angle iron etc. Leg or pipe attaching the adaptor should be less than 50mm for BPA25mm and greater than 50mm for BPA50mm+.

Attachment by hose clips or by 1/2" - 3/4" stainless steel banding.

Part Number	Colour	Pipe/Tower Leg Diameter	Nut Size	A	B	C	Weight	Pack Qty	Box Qty
BPA25mm	Black	Up to 45/50mm	M10	30	44	62	0.02	25	500
BPA50mm+	Black	Over 45/50mm	M10	30	44	62	0.03	25	500
BPA50+6	Black	Over 45/50mm	M6	30	44	62	0.03	25	500
SGPA50mm+	Grey	Over 45/50mm	M10	30	44	62	0.03	25	500
SGPA50+6	Grey	Over 45/50mm	M6	30	44	62	0.03	25	500

\* M8 fixings can be used with appropriate M8 washers.

\*Material: Polypropylene



## Cable Clamp Cross-Reference Chart

Single Clamp	Double Clamp	4 Way Clamp	Clamp Dia (mm)	Andrew Feeder type	RFS Feeder Type	Leoni Feeder Type	LS Cables Feeder Type	Other Cables
BW054	-	4BW054	5.4	FSJ057-50, CNT195, CNT240	-	-	-	RG223 & RG588, Cat 5e UTP, ANY CABLES 5-6mm
BW075	DW0075	-	7.5	HS1RP-50A, FSJ 1.50A, ETS1-50T, CNT 300	SCF 14-50	LC DUPLEX FIBRE OPTIC 84950504G	-	INTERCOND 48, VET CONTROL CABLES
BW085	DW0085	-	8.5	LDF1-50, HST1-50	-	1/4" R (PE)	-	RG6, RET CONTROL CABLE, 2-CORE DC POWER CABLE, SINGLE CORE COPPER EARTH CABLE
BW0	DW0	4BW0	11	LDF2-50, FSJ 2.50, ETS2-50T, HS2RP-50, HST2-50, CNT400	LCF14-50, LCF38-50, SCF 38-50	-	HSFC 10D	RG213 & RG214- 50 ohm, RG8 & RG11- 75 ohm, LMR400, BELDEN 9913, SFX-500, AS1228, H1000, XRD1567,
BW1	DW1	-	13	FSJ4.50B, HS4RP-50, HST4-50	HCA 38-50, SCF12-50	-	-	RG215 & RG217 - 50 ohm, XRD1568
BW2	DW2	-	16 (1/2")	LDF4-50, HLT4-50T, HJ4-50, HL4RP-50, CNT600	LCF12-50	1/2" R (PE)	HFC 12D, HFSC-FR 12D	LDF4.50 CABLE WITH MESSENGER WIRE, USE BW1.4-1/2" MESSENGER WIRE
BW4	DW4	-	21 (5/8")	LDF4.50-50, HJ4-50-50	LCF58-50, HCA58-50	-	-	Reka XCMK-HF DC CABLE
BW5	DW5	-	28 (7/8")	LDF5.50, AVA5-50, HJ5-50, VXL5-50	LCF78-50, HCA78-50, UCT78-50, JFN	7/8" R (PE)	HFC 22D, HFSC-FR 22D	RG220-50ohms, LDF5.50 - CABLE WITH MESSENGER WIRE USE – REF: BW2.0-7/8" MESSENGER WIRE
BW7	DW7	-	40 (1-1/4")	LDF6-50	LCF114-50, UCF114-50	1-1/4" R (PE)	HFC 33D	
BW8	DW8	-	50 (1-5/8")	LDF7-50, AVA7-50, VXL 7-50	LCF158-50, HCA158-50	1-5/8" R (PE)	HFC 42D	CR50-1873, HF158-50
BW9	-	-	57 (2-1/4")	HJ12-50, LDF12-50	LCF214-50, HCA214-50	-	-	-

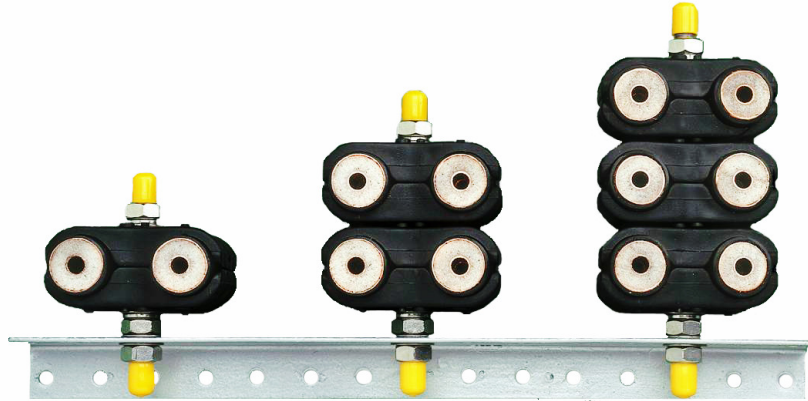
\* Cable clamp cross references are provided as a guideline and are subject to changes made by cable manufacturers.

\* Please note that all clamps are designed to interlock when installed back to back, to maximise space on busy towers.

\* All items in this publication are covered by copyright laws and GCA Ltd patent number 2351117.

## Installation Guidelines for Clamps

### Studding Lengths Required for Stacking Clamps



Length of M10 stainless steel threaded studding required for stacking: - single, two or three double or single GCA Ltd clamps, using a maximum 3 x M10 s/s Full Hexagon Nuts, 4 x M10 s/s Form 'B' Flat washers, and 2 x M10 s/s SQ Section Spring Coil Washers. N.B We have allowed additional 4mm for steel work and approx. 15mm maximum – studding protruding after tightening of clamps.

GCA Clamp Part Number	Clamp Stack Height	Studding Size mm	Clamp Stack Height	Studding Size mm	Clamp Stack Height	Studding Size mm
2P-DW0-11mm	1	M10x80	2	M10x100	3	M10x130
2P-DW1-13mm	1	M10x80	2	M10x100	3	M10x130
2P-DW2-1/2"	1	M10x80	2	M10x110	3	M10x130
2P-DW5-7/8" *	1	M10x85	2	M10x130	3	M10x180
2P-DW7-1 1/4"	1	M10x110	2	M10x170	3	M10x250
2P-DW8-1 5/8"	1	M10x130	2	M10x200	3	M10x280

\* N.B. Studding lengths for single clamps are the same for double clamps e.g BW5-7/8" triple stack height uses M10x180 which is the same for the "p-DW5-7/8"

### Swiveling Clamps at an Angle

To allow clamps to angle to transmitter place 2 qty – M10 flat washers on studding 'between' back to back of clamps to eliminate interlocking. Swivel clamps to required angle (cable position). Finally tighten M10 hexagonal nut.

**All items are covered by copyright laws GCA Ltd patent number 2351117**

