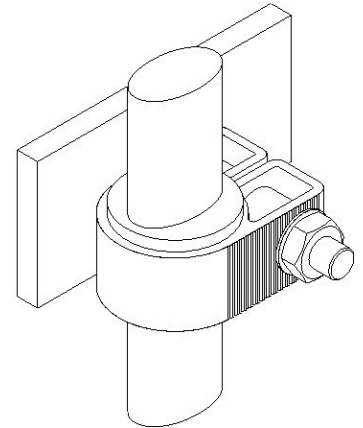
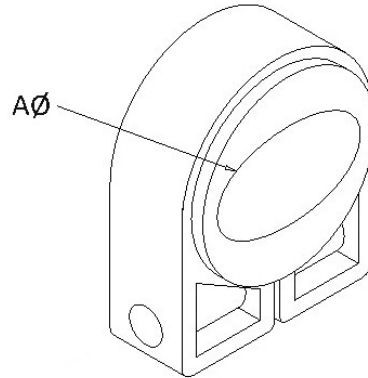


## Waveguide Cleats



- GCA Ltd hold a range of cleats with EPDM rubber inserts for general telecoms cables as well as waveguides.
- The design of the cleat allows the jaws to come together but stop the cable from being over-tightened therefore eliminating the need for a spacer.
- Our inserts have ridges top and bottom to guarantee the insert is fully and correctly held in the cleat, and therefore quicker and easier to install.

| Cleat & Bung Reference. | Cleat Size | Waveguide Reference | Approximate Dimensions        | Waveguide Operating Freq. GHz | Pack Qty | Box Qty |
|-------------------------|------------|---------------------|-------------------------------|-------------------------------|----------|---------|
| BW1.2-EW240             | 1.2"       | EW240               | 15.2 x 9.65mm (0.6" x 0.38")  | 24.0 – 26.5                   | 25       | 400     |
|                         |            | E250                | 16.0 x 11.0mm (0.62" x 0.43") | 24.25 - 26.5                  |          |         |
| BW1.2-E380              | 1.2"       | E380                | 12.0 x 9.0mm (0.47" x 0.35")  | 37 – 39.5                     | 25       | 400     |
| BW1.2-EW210/38          | 1.2"       | EW210 & EO38        | 18.0 x 13.0mm (0.71" x 0.51") | 37 – 39.5                     | 25       | 400     |
| BW1.2-E185              | 1.2"       | E185 & EP185        | 21.0 x 13.0mm (0.83"x0.51")   | 13.7-19.7                     | 25       | 400     |
| BW1.2-EW180             | 1.2"       | EW180 & EWP180      | 20.1 x 12.4mm (0.79" x 0.49") | 17.3 – 19.70                  | 25       | 300     |
| BW1.4-EW127             | 1.4"       | EW127 & EWP127      | 28.2 x 17.1mm (1.11" x 0.67") | 10 – 13.2                     | 25       | 300     |
|                         |            | E130 & EP130        | 29.0 x 18.0mm (1.14"x0.71")   | 10.7 - 13.25                  |          |         |
| BW1.4-EW132             | 1.4"       | EW132 & EWP132      | 24.4 x 15.5mm (0.96" x 0.61") | 11.0 – 15.35                  | 25       | 300     |
| BW1.4-E150              | 1.4"       | E150 & EP150        | 26 x 16mm (1.0" x 0.6")       | 13.4 – 15.35                  | 25       | 300     |
| BW1.4-EW220             | 1.4"       | EW220               | 17.8 x 11.2mm (0.70" x 0.44") | 21.2 – 23.6                   | 25       | 300     |
|                         |            | E220                | 18.0 x 12.0mm (0.71" x 0.47") | 21.2 – 23.6                   |          |         |

|              |      |              |                                |              |    |     |
|--------------|------|--------------|--------------------------------|--------------|----|-----|
| BW2.0-EW77   | 2.0" | EW77 & EWP77 | 43.6 x 25.4mm (1.72" x 1.0")   | 6.1 – 8.5    | 20 | 200 |
|              |      | E78 & EP78   | 44.26 x 28.0mm (1.73" x 1.02") | 7.1 – 8.5    |    |     |
| BW2.0-E75/15 | 2.0" | EW75 & EO15  | 41.0 x 27.0mm (1.61" x 1.06")  | 12.7 – 15.35 | 20 | 200 |
| BW2.0-EW90   | 2.0" | EW90 & EWP90 | 33.5 x 20.3mm (1.32" x 0.8")   | 10.2 – 11.7  | 20 | 200 |
|              |      | E105         | 33.0 x 20.0mm (1.3" x 0.79")   | 10.0 - 11.7  |    |     |

\*Material: Low density polythene with rubber inserts

\*Colour: Black