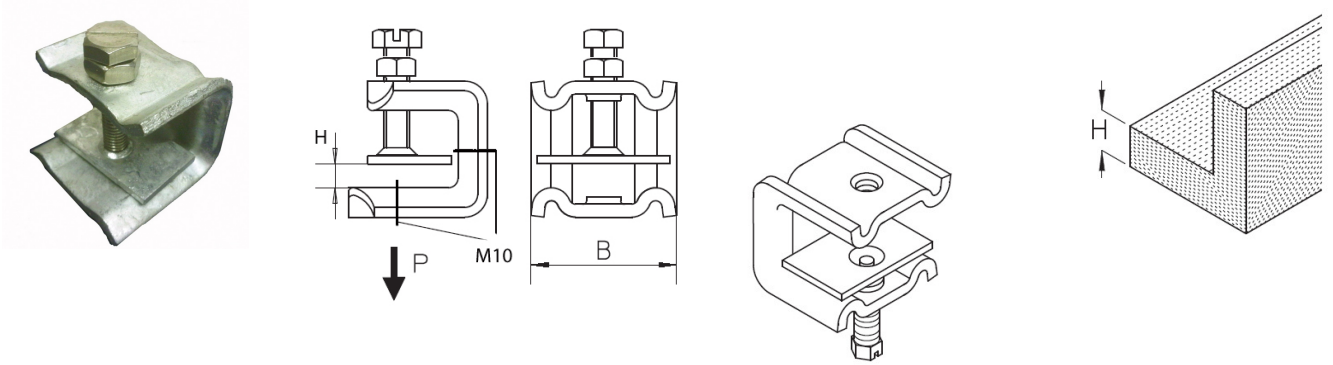


M10 – MKD15/20 with Locknut



GCA Ltd range of beam clamps (CTLs) offer a very high quality solution for clamping to flat metal surfaces and angle iron in outdoor applications.

Bolt Hole Size:	M10
Dim H (mm):	6-22
Dim B (mm):	44
Dim P (N):	1500
Pack Qty:	10
Box Qty:	100
Material (Body):	Hot Dipped Galvanised Steel
Material (Bolt & Nut):	A4 316 Stainless Steel
Weight (Kgs):	0.188
Locknut:	Yes
Bolt Hole Size:	M10
Dim H (mm):	6-22
Dim B (mm):	44