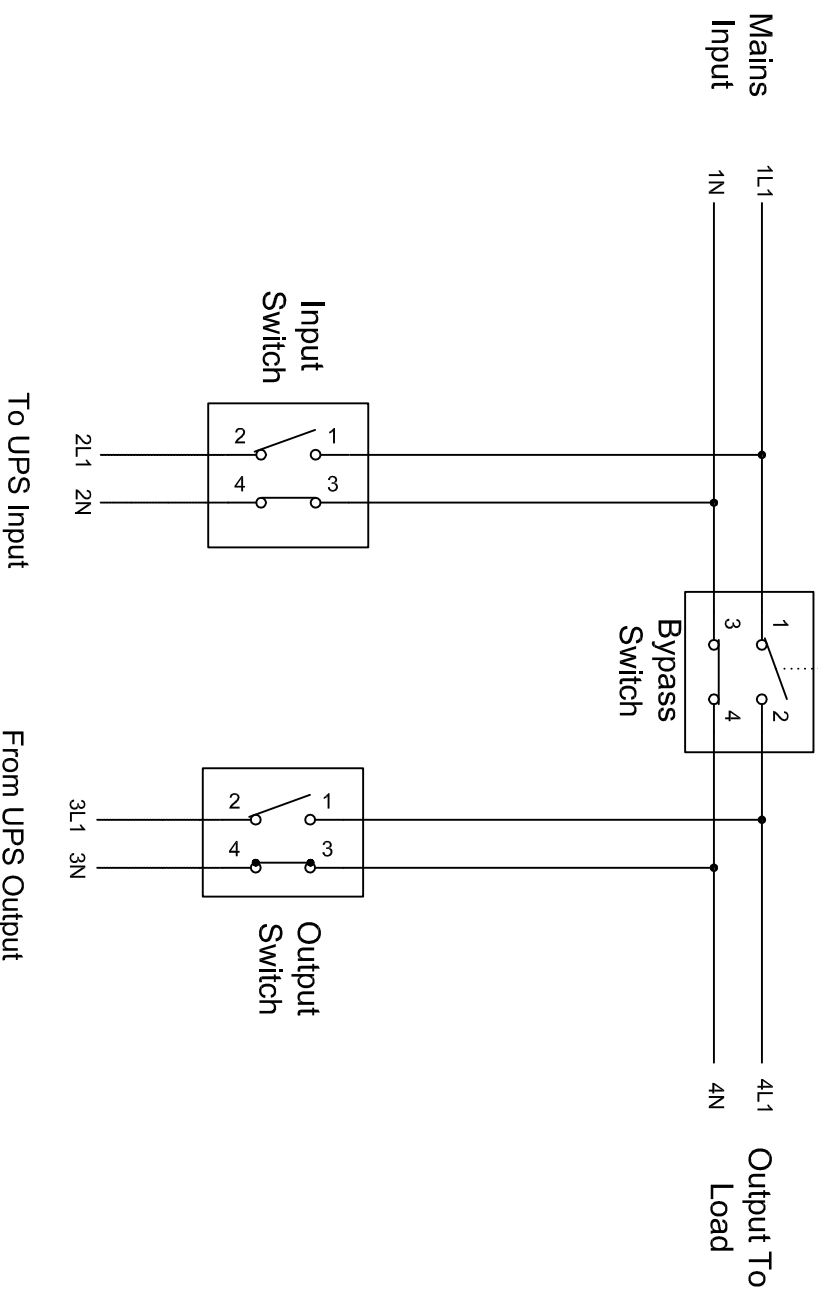


Aux.
Contacts



DESIGN: APS Ltd

DATE: 19/3/2007

DRAWN BY: PT

SCALE: NTS



DRG NO: APS xx-11-01

DRG NAME: 1-Phase In/Out Bypass Switch

1-Phase In/Out Bypass Switch

1-Phase In/Out Bypass Switch

1-Phase In/Out Bypass Switch

1-Phase In/Out Bypass Switch

1-Phase In/Out Bypass Switch

DATE & ISSUE	MODIFICATIONS	APPR. BY
19/03/07 ①	1st Issue	

Adept Power Solutions Ltd
 Unit 1, Viscount Court, South Way,
 Watworth Industrial Estate, Andover,
 Hampshire, SP10 5NW
 Tel: 01264 351415
 Fax: 01264 351217



THIS DOCUMENT IS CONFIDENTIAL & THE PROPERTY OF ADEPT POWER SOLUTIONS. IT MUST NOT BE COPIED OR SHOWN TO OTHERS WITHOUT OUR WRITTEN CONSENT