



HAWKER

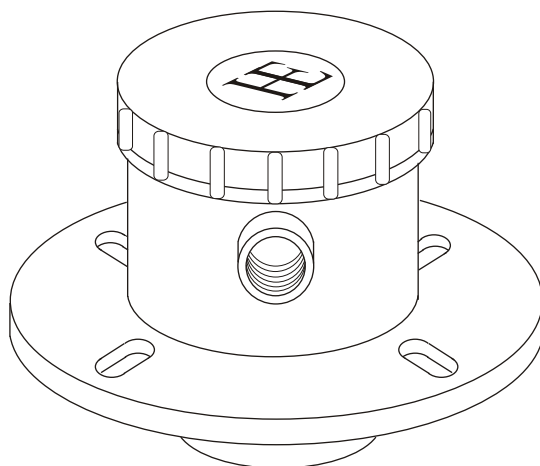
LEVEL CONTROL SYSTEMS

SONDALOOP

**Loop Powered Ultrasonic
Transmitter for Non Contact
Level Measurement**

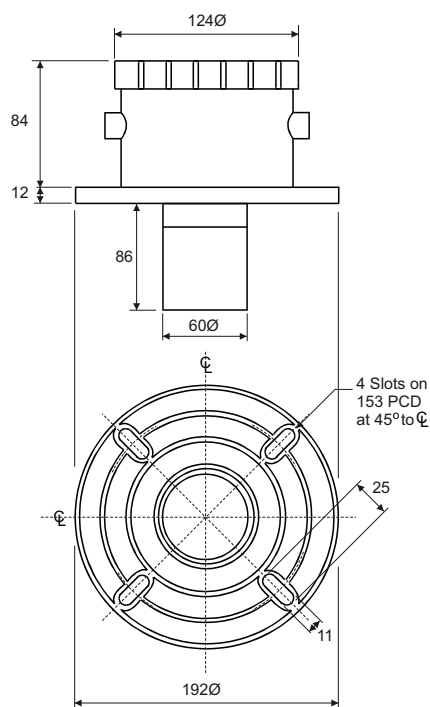
The Sondaloop provides accurate, reliable level measurement for liquids and slurries, it is a loop powered, ultrasonic transmitter which operates from an 20 -38V DC voltage, thus enabling the 4-20mA signal produced to be transmitted over relatively long distances. If 4 control relays, digital indication & a power supply are required use Flexilevel 2 as an add on unit (see data sheet No 288). If only 2 relays & a power supply are required use Type 800 Dual Trip Amp (see data sheet No 226) or the PS2 power supply with cable monitoring & lost echo (see data sheet No 292).

- **Simple setting up procedure save commissioning time**
- **Low power consumption gives economical operation**
- **Self diagnostic facility and automatic re-calibration**
- **Polypropylene casing for increased chemical resistance**
- **Weatherproof to IP68 (2m for 24 hours)**
- **The intergral moulded flange accepts ANSI, DIN, BS, sizes**



Specifications

Measuring Range:	0.5 to 8m
Output:	4-20mA (into 250ohms @ 24V DC or 850 ohms @ 38V DC)
Loop Voltage:	20 -38V DC (reverse polarity protected)
Power Required:	0.5 watts @ 24V
Resolution:	1mm
Accuracy:	0.25% of measuring range (electronic)
Display:	4 digits
Minimum Span:	100mm
Lost Echo:	User programmable 4,20,21mA or last valid reading
Temperature Compensation:	Built-in digital sensor
Operating Temperature:	-10° to +60° C
Weatherproof:	IP68 (immersion in water at 2m for 24hrs)
Gland Thread:	M20
Cable:	2 core screened cable or twisted pair
Universal Flange:	Suitable for :- ANSI 3" 150lb, DN 80 PN16, BS10 table D 3", Hawker type 81 bracket.
Ultrasonic Core Angle:	12°
Max Static Operating Pressure:	-0.25 to 2 bar @ 20° C
Construction Materials:	Casing:- Polypropylene (glass filled). Transducer Housing:- UPVC
Mounting Bracket:	Swing type bracket (see drawing US0166)



Because of continuing development we reserve the right to change the specifications without notice

HAWKER ELECTRONICS LTD.

57 The Avenue,
Rubery Industrial Estate,
Birmingham B45 9AL, ENGLAND
Telephone :+44 (0)121-453-8911 Fax : +44(0)121-453-3777
e.mail: info@hawker-electronics.co.uk www.hawker-electronics.co.uk



FM 10000



BRITISH MADE