

# iDrive2

AC Variable Speed General Purpose Drives  
0.4 - 2.2kW

---



Affordable drives **evolved**

# iDrive2 XKL Series

Ultra-low cost inverters  
for small AC motors  
0.4-2.2kW

- Compact
- Powerful
- User-friendly



## iDrive2 XKL Series

If you are a machine builder looking for a high volume cost-effective solution, or an occasional user looking for a drive that is easy to set up, the iDrive2 is the ultimate variable speed drive for you!

iDrive2 is simple to commission using the detachable keypad. For volume users there is a free software package that will allow the bulk transfer of complete parameter sets.

A range of EMC filter options makes the iDrive2 suitable for virtually every industrial, commercial or domestic application.

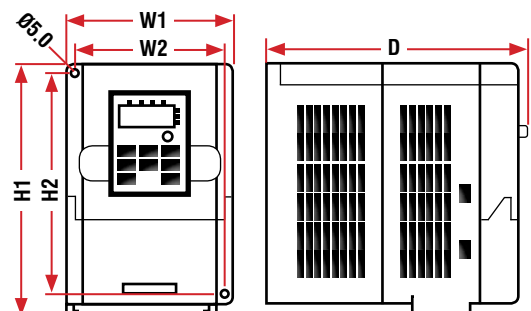
- RS485/Modbus RTU built-in
- Up to 150% starting torque
- Detachable Keypad (with potentiometer)
- PID Control mode as standard
- Brake chopper built-in
- Easy to install
- Side by side mounting (fan cooled models)
- Simple Parameter menu
- Single Phase, 0.4kW~2.2kW
- Three Phase, 0.75kW~2.2kW
- 5 operation indication LEDs
- Temperature range -10°C ~ 50°C
- DC braking as standard
- Thermostatic cooling fan
- 0-10V or 0-20mA analog inputs
- 0-10V or 0-20mA analog output
- Drive mount filter option
- 4/5 Digital inputs
- Password function
- 2 year warranty
- RoHS compliant
- CE certified
- C2 & C3 Filter options
- Enclosure IP20

## iDrive2 Specifications

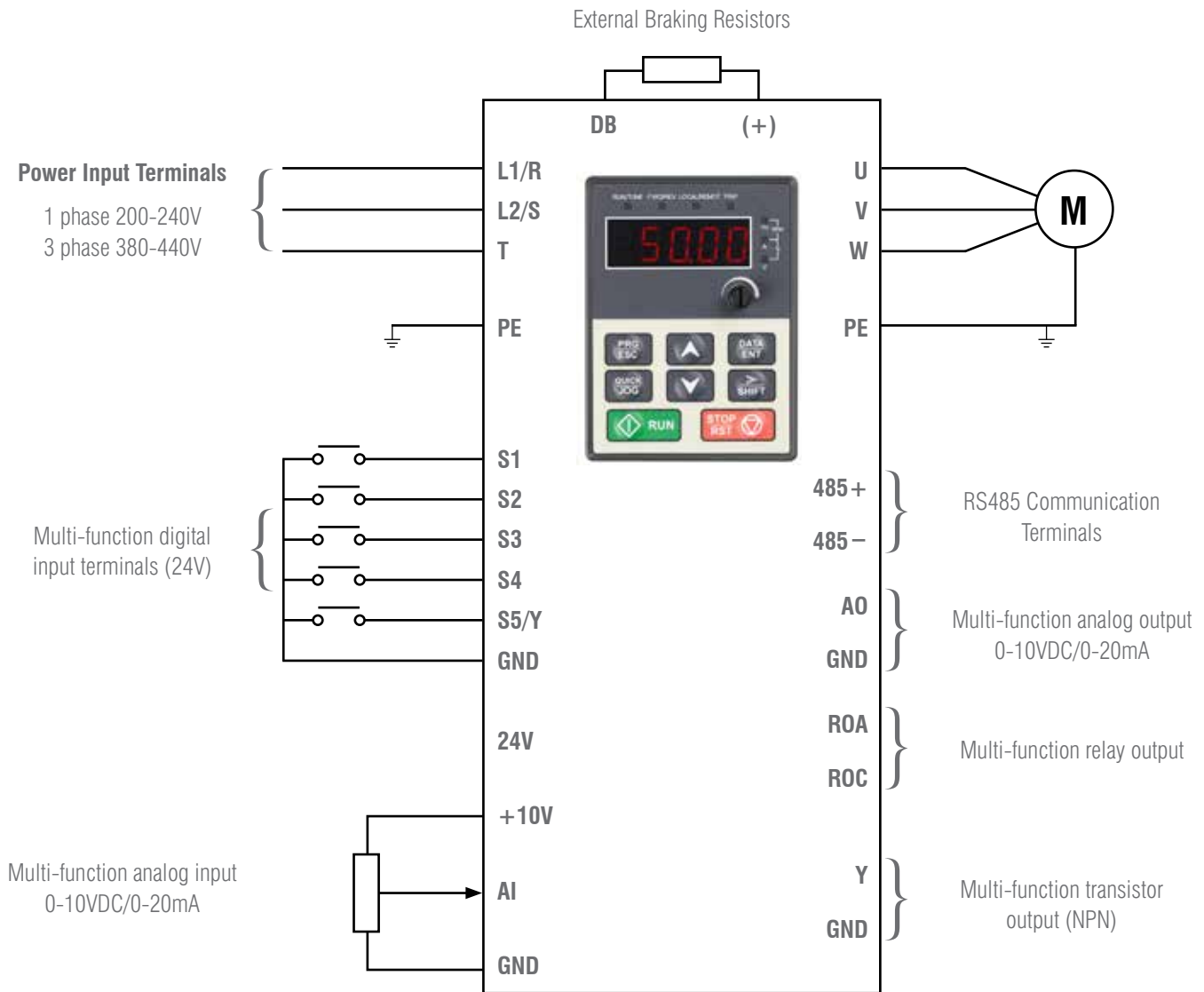
		Single Phase Input				Three Phase Input			
Inverter Type		XKL-040-21	XKL-075-21	XKL-150-21	XKL-220-21	XKL-075-43	XKL-150-43	XKL-220-43	
Output Ratings	Nominal Applied Motor	kW	0.4	0.75	1.5	2.2	0.75	1.5	2.2
	Rated Capacity	kVA	0.50	0.94	1.88	2.75	0.94	1.88	2.75
	Frequency	Hz	0-400				0-400		
	Rated Voltage	V	0 ~ Supply Voltage				0 ~ Supply Voltage		
	Rated Current	A	2.5	4.2	7.5	10	2.5	4.2	5.5
	Overload Capacity	A	150% of rated output current for 1 minute				150% of rated output current for 1 minute		
180% of rated output current for 10 seconds				180% of rated output current for 10 seconds					
200% of rated output current for 1 second				200% of rated output current for 1 second					
Input Ratings	Rated Current	A	6.5	9.3	15.7	24	3.2	4.3	7.1
	Rated Voltage	V	Single Phase 200-240V (-15%, +10%)				Three Phase 380-440V (-15%, +10%)		
	Frequency	Hz	47-63				47-63		
	MCCB Rating	A	16		25	50	10		16
	Contacting Rating	A	10	16		32	10		
	Fuse Rating	A	16		25	40	6	10	16
Cable Sizes	Mains Supply Cable	mm <sup>2</sup>	1.5	1.5	2.5	2.5	1.5	2.5	2.5
	Motor Cable								
	Earth Cable								
	Braking Resistor Cable								
	Braking Resistor	Ω	42		30	21	100		54
		W	60	110	230	330	110	230	330
	Cooling Method		Natural Cooling		Fan Cooling		Natural Cooling	Fan Cooling	
	Enclosure	IP	IP20				IP20		
Weight	Kg	1.4	1.4	1.6	1.7	1.7	1.7	1.7	

## Wall Mounting Dimensions (mm)

Model		W1	W2	H1	H2	D
Single-phase 230V	XKL-040-21	85.0	74.0	145.5	131.5	134.2
	XKL-075-21	85.0	74.0	145.5	131.5	153.2
	XKL-150-21	100.0	89.0	170.5	154.0	153.2
	XKL-220-21	100.0	89.0	170.5	154.0	153.2
Three-phase 400V	XKL-075-43	85.0	74.0	145.5	131.5	153.2
	XKL-150-43	100.0	89.0	170.5	154.0	153.2
	XKL-220-43	100.0	89.0	170.5	154.0	153.2



## Power & Control Connections



## iDrive2 Filters

Earth leakage currents are often problematic when using small drives, but not with the new XKL range. There are several filter options available to suit the environment in which the inverter will be installed, and all are low leakage designs.

Shown here are the low-cost clip-on C3, and the panel-mount C2, ultra low leakage filters designed to suit industrial environments.

If you want more information regarding EMC filtering, please contact the IMO technical team.



## Options & Ordering Codes - iDrive2

<b>XKL</b>	—	<b>150</b>	—	<b>21</b>
<b>Nominal Power</b>			<b>Input Voltage</b>	
0.4kW		<b>40</b>	<b>21</b>	Input 200-240V ~ Single Phase
0.75kW		<b>75</b>	<b>43</b>	Input 380-440V ~ Three Phase
1.5kW		<b>150</b>		
2.2kW		<b>220</b>		



## Ordering Codes - Accessories

**XKL-KP** Additional Detachable Keypad



**XKL-KP-MB** Keypad Mounting Bracket

## Options & Ordering Codes - Filters

	<b>iDrive2</b>	<b>C3 Filter</b>	<b>C2 Filter</b>
<b>Single-Phase 230V</b>	XKL-040-21	<b>RFC3-3S</b>	<b>RF29A-1A</b>
	XKL-075-21	<b>RFC3-3S</b>	<b>RF29A-1A</b>
	XKL-150-21	<b>RFC3-10S</b>	<b>RF29A-1A</b>
	XKL-220-21	<b>RFC3-10S</b>	<b>RF29A-1A</b>
<b>Three-Phase 400V</b>	XKL-075-43	<b>RFC3-6</b>	<b>RF15A-4A</b>
	XKL-150-43	<b>RFC3-6</b>	<b>RF15A-4A</b>
	XKL-220-43	<b>RFC3-6</b>	<b>RF15A-4A</b>



C2 Filter



C3 Filter

## Powerful, configurable and cost-effective

For single and three-phase applications up to 2.2kW, the iDrive2 is the ideal solution for a great variety of applications including Industrial, Commercial and Medical amongst others.

With a 2-year warranty, iDrive2 offers complete peace of mind.



# IMO Worldwide Offices

### IMO Precision Controls Limited

1000 North Circular Road  
Staples Corner  
London NW2 7JP  
United Kingdom

Tel: 020 8452 6444  
Fax: 020 8450 2274  
Email: sales@imopc.com  
Web: www.imopc.com

### IMO Jeambrun Automation SAS

Centre D'Affaires Rocroy  
30, Rue de Rocroy  
94100 Saint-Maur-Des-Fosses  
France

Tel: 0800 912 712 (toll free)  
Fax: 0145 134 737  
Email: sales@imopc.com  
Web: www.imojeambrun.fr

### IMO Automazione

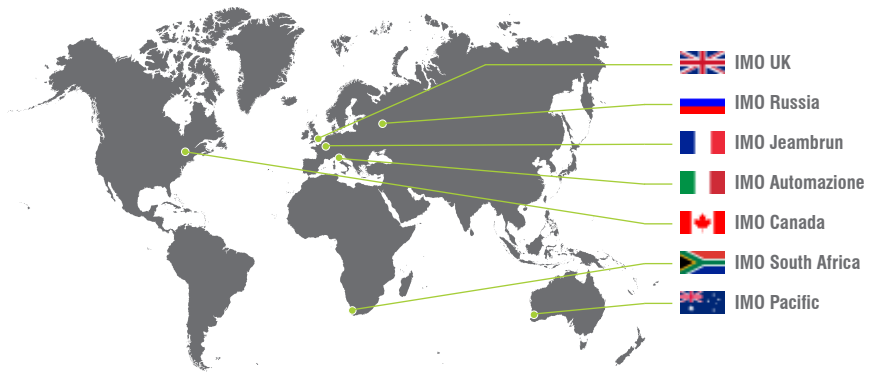
Via Ponte alle Mosse, 61  
50144 Firenze (FI)  
Italia

Tel: 800 930 872 (toll free)  
Fax: 8000 452 6445  
Email: sales@imopc.com  
Web: www.imopc.it

### IMO Canada

Unit 32 - B - North  
18 Stratheam Avenue, Brampton  
Ontario L6T 4Y2  
Canada

Tel: 905 799 9237 (local)  
Fax: 905 799 0450  
Email: sales@imopc.com  
Web: www.imopc.com



### IMO Russia

Office N° 4063  
9, Zemlyanoy Val, 105064  
Moscow  
Russia

Tel: 8 800 100 8540 (toll free)  
Fax: 8 800 100 8541  
Email: sales@imopc.com  
Web: www.imopc.com

### IMO South Africa (Pty) Ltd

G16 Centurion Business Park  
Montague Gardens  
Cape Town 7441  
South Africa

Tel: 021 551 1787  
Fax: 021 555 0676  
Email: info@imopc.co.za  
Web: www.imopc.co.za

### IMO Pacific Pty Ltd

1/34 Fallon Road  
Landsdale  
Perth WA 6065  
Australia

Tel: 08 9302 5246 (local)  
Fax: 08 9303 9908  
Email: sales@imopacific.com.au  
Web: www.imopacific.com.au