

# **INTERLUBE**

A **TIMKEN** Brand

**UK Headquarters:**  
**Timken ILS Limited**

St Modwen Road, Parkway Industrial  
Estate, Plymouth, Devon, England  
PL6 8LH

Tel: +44 (0)1752 676000  
Fax: +44 (0)1752 676001  
info@interlubesystems.com  
www.interlubesystems.com

**Timken ILS Dayton  
Limited (USA)**

Timken ILS Dayton Limited  
(USA), Mid States Building, 4696  
Wadsworth Road, Dayton, Ohio  
45414, USA

Tel: +1 (937) 276 4507  
Tel: +1 (888) 488 5823  
Fax: +1 (937) 276 4518  
info@interlubeusa.com  
www.interlubeusa.com

**Interlube (Malaysia)**

Sdn Bhd, No 30 Jalan Apollo U5/189,  
Bandar Pinggiran Subang, Seksven  
U5, 40150 Shah Alam, Selangor,  
Malaysia

Tel: +603 7845 56577  
Tel: +603 78316577  
Fax: +603 7845 5377  
interlube@unifi.my  
www.interlubesystems.com

**Interlube (China)**

No:15 1st Ping Dong Road  
Nan Ping  
Scientific & Technologica Park  
Zhu Hai 519000, China

info@interlubesystems.com.cn  
www.interlubesystems.com.cn

The Timken team applies their know-how to improve the reliability and performance of machinery in diverse markets worldwide. The company designs, makes and markets high-performance mechanical components, including bearings, gears, chain and related mechanical power transmission products and services.

# **TIMKEN**

Stronger. **Commitment.** Stronger. **Value.** Stronger. **Worldwide.** Stronger. **Together.** | Stronger. **By Design.**

[www.timken.com](http://www.timken.com)



*Lubrication solutions  
to keep systems  
running smoothly*

# DF

## Gravity Feed Lubricators

# DF - Gravity Feed Lubricators

The DF lubricators can drip oil directly on to cams, gears or slideways or brush oil on to chains.

These DF lubricators are ideal for small industrial or agricultural applications, when the installation of automatic lubrication is not viable.

Both "DF" versions of the Gravity Feed Lubricator are available as solenoid operated and manually operated and are supplied as standard with:

- ▶ Steel Mounting Plate/Lid
- ▶ Oil Filler Cap
- ▶ Robust Polypropylene Reservoir 1/2, 1 or 2 Ltr
- ▶ Fully adjustable drip feed regulator with sight glass



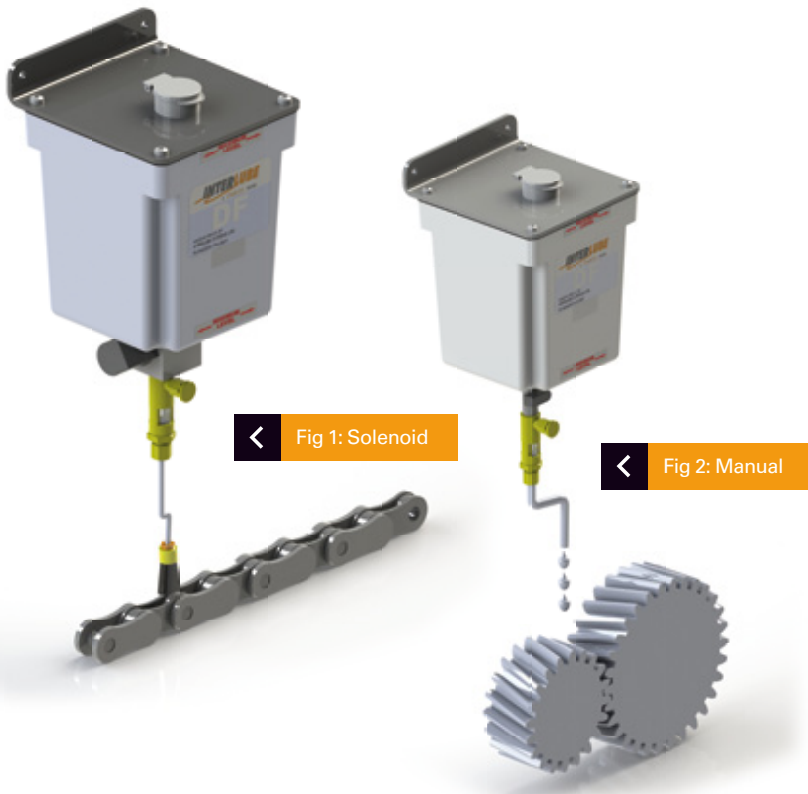
## Solenoid

12V/24V DC electric shut off valve is connected to the machine. When the machine is shut off the solenoid will automatically isolate, preventing over lubrication if the machine is not in operation.



## Manual

Manual shut off valve on/off.

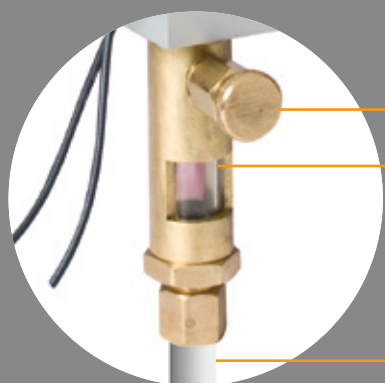


◀ Fig 1: Solenoid

◀ Fig 2: Manual

The Solenoid Version is also available without the Drip Feed Regulator when Multi Drip Feeds are required.  
- Contact Us if you require this Option





Adjustment

Sight Glass

4mm OD

## Technical Info

Temp Range: Up to 100 oC

Reservoir: Polypropylene

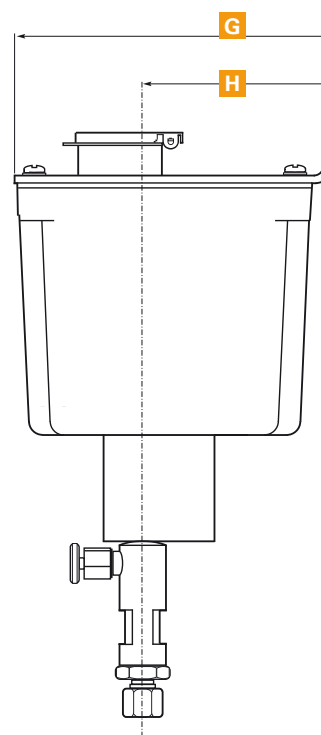
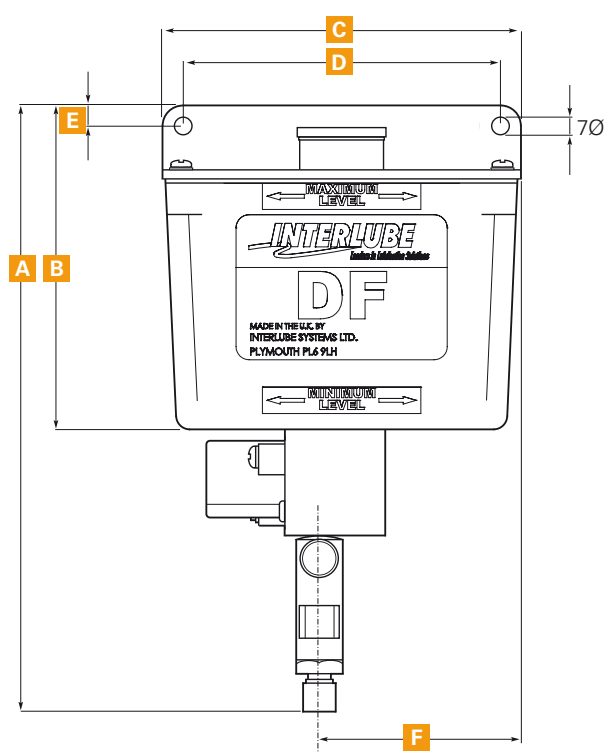
Mounting Bracket: Plated Steel

Mounting Holes: 7mm O

Outlet Size: 4mm O.D. compression

Voltage: 12V or 24V DC

Polypropylene has excellent chemical, temperature and fatigue resistance.



### Manual Version

(Dimensions mm)

Part No	Reservoir Size	A	B	C	D	E	F	G	H
DF1100	(2) Ltr - 4.24 pints	303	186	142	120	11	79	151	80
DF1200	(1) Ltr - 2.12 pints	241	123	136	120	8	76	120	63
DF1300	(0.5) Ltr - 1.06 pints	247	129	115	98	8	66	85	47

### 12V DC Solenoid Version

DF2110	(2) Ltr - 4.24 pints	293	186	142	120	11	79	151	80
DF2210	(1) Ltr - 2.12 pints	230	123	136	120	8	76	120	66
DF2310	(0.5) Ltr - 1.06 pints	236	129	115	98	8	66	85	47

### 24V DC Solenoid Version

DF2120	(2) Ltr - 4.24 pints	293	186	142	120	11	79	151	80
DF2210	(1) Ltr - 2.12 pints	230	123	136	120	8	76	120	66
DF2220	(0.5) Ltr - 1.06 pints	236	129	115	98	8	66	85	47