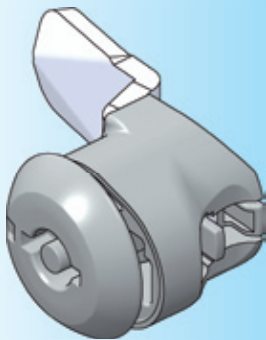


Quarter turn with cam polyamide



Quarter turn with cam
m. s. zinc-plated

Assembly note:

Assembly door stop on the right: Pre-assembled insert unit is inserted into the cutout when closed. Then fixed with click-in housing.

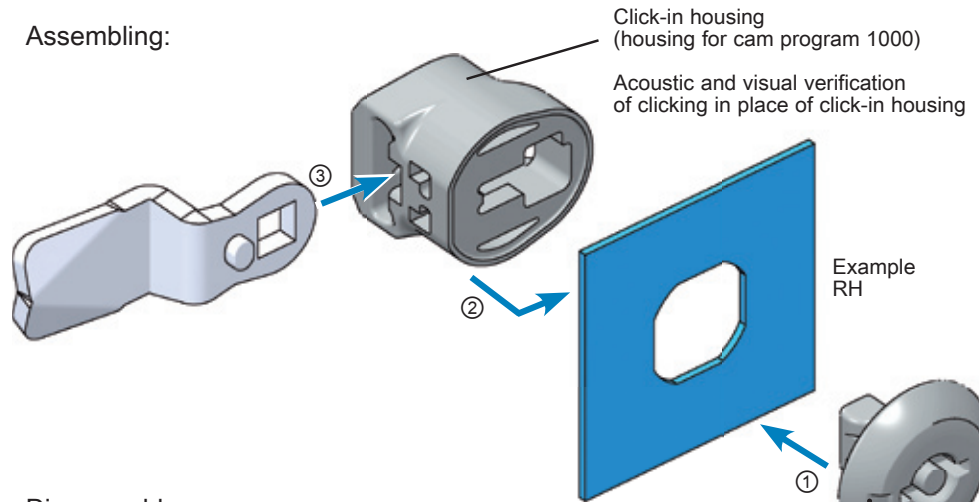
Assembly door stop on the left: Pre-assembled insert unit is inserted into cutout when open. Then fixed with click-in housing.

Other door thickness on request!

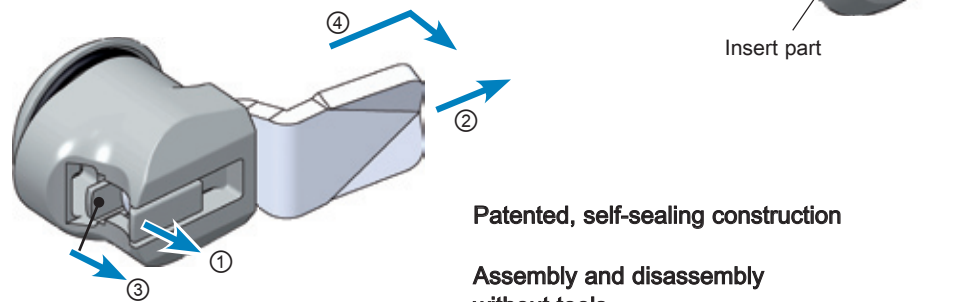
Further parts see page

- Cam (type 1; GH=18) 1C-120
- Key 12B-120

Assembling:



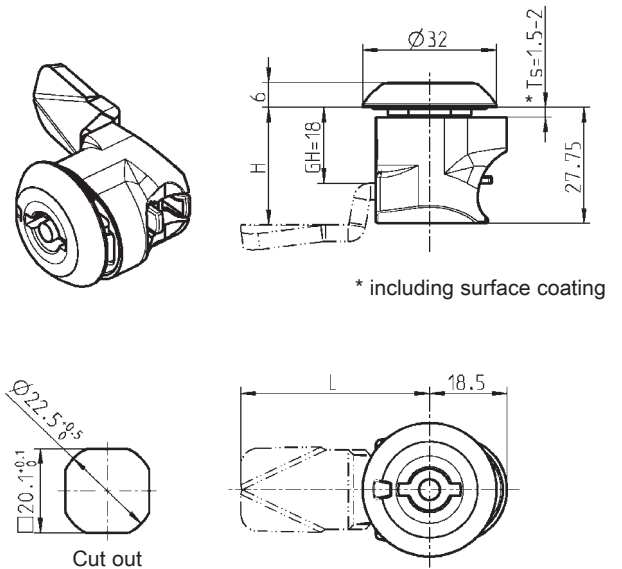
Disassembly:



Assembly and disassembly without tools

Product benefits

- cost savings due to toolless assembly and disassembly within seconds
- alternatively available with polyamide or steel cam
- suitable for many standard cams
- closing force with cam of steel matches EMKA standard quarter-turn of zinc die cast
- smooth operation (no internal rotation due to design)
- self-sealing construction for highest protection requirements (design immanent)
- increased safeguarding against overwinding
- standard cutout
- patented



Insert part polyamide GF black; with seal

Square 7	on request
Square 8	on request
Triangular 8	on request
Double bit 3	on request
Double bit 5	1000-U873
Slot 1.5 x 3	on request

Click-in housing polyamide GF black

for cam program 1000	1000-551
----------------------	----------