

# PowerSafe<sup>®</sup> SBS Batteries

A superior range of valve regulated batteries, Powersafe SBS offers an impressive extended service life, high energy density and long shelf life. Manufactured to the highest international standards using pure lead technology the SBS range offers design flexibility where space is at a premium. Advanced plate technology allows SBS batteries to function in the harshest of environments. The maximum operating temperature can be extended to +80°C with an optional metal jacket.

## Benefits

- Absorbed Glass Mat (AGM) Construction – Maintenance Free, Non-Spillable
- 15 Year Design Life
- Wide Operating Temperature Range
- Excellent Cycling Capability
- Very High Energy Density
- Very Low Internal Resistance



## Applications

- Telecommunications
- Uninterruptible Power Supplies
- Defence Installations
- Power Generation
- Offshore

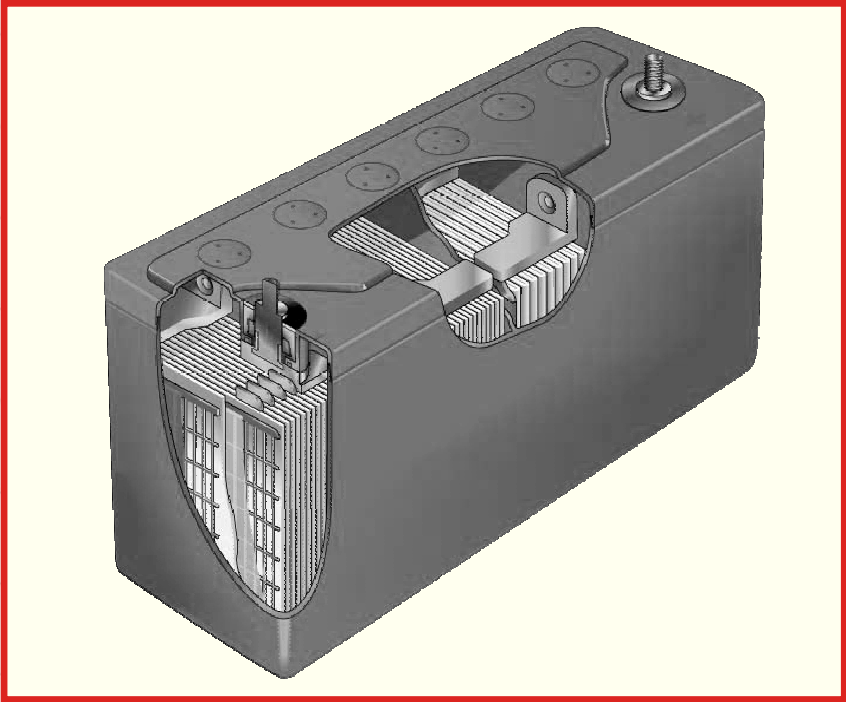


[www.dmstech.co.uk](http://www.dmstech.co.uk)

Belbins Business Park, Cupernham Lane, Romsey, Hampshire, SO51 7JF, UK  
+44(0)1794 525400 sales@dmstech.co.uk

Model	Voltage	Capacity @ 10hr Rate	Dimensions (mm)			Weight (kg)	Terminals
			Length	Width	Height		
SBS8	12	7Ah	138	86	99	2.7	M4 F
SBS15	12	14Ah	200	77	140	5.7	M6 M
SBS30	12	26Ah	250	97	156	9.5	M6 M
SBS40	12	38Ah	250	97	206	12.7	M6 M
SBS60	12	51Ah	220	121	261	18.5	M6 M

*DMS technologies reserves the right to alter product specifications without prior notice*



DMS technologies is a leading supplier of battery based electrical systems. We design, manufacture and supply high quality, reliable battery based power solutions to the Industrial, Automotive, Military and Telecoms markets. Our bespoke battery systems have been supplied to many Blue Chip engineering and defence companies world-wide.