



APPLIED MEASUREMENTS LTD.
Transducer Specialists...

+44 (0) 118 981 7339

info@appmeas.co.uk

www.appmeas.co.uk

SLC24 Series Bow Type Wireless Shackle Load Cell

Key Features:

- Ranges from 12 Tonnes to 400 Tonnes
- Wireless Signal Transmission - No Cables
- Transmission Distance up to 120m
- Up to 200 Hours Battery Life
- High Tensile Carbon Steel Construction
- Environmental Sealed IP67
- Simple Construction and Operation
- Shackle and Load Pin Fully Certified
- Optional Load Centralising Bobbin
- Many Other Options Available
- 3 Year Warranty



The SLC24 range of telemetry/wireless shackle load cells are manufactured using the Crosby™ G2130 (12 to 25 tonne) and G2140 (40 to 400 tonne) series of bow shackles. To avoid local radio interference, the wireless shackle load cell operates using a licence free 2.4GHz frequency, ensuring data integrity and security. The externally sealed aerial can be rotated ensuring you receive the optimum transmission range and signal polarity.

Their stainless steel housing and IP67 protection rating makes them an extremely robust solution for harsh applications. The units power is supplied by two AAA NiMH batteries which can be recharged using the supplied universal charger. When necessary the battery changing is quick and easy to do on-site thanks to the no-tool opening housing. In emergencies, standard alkaline batteries can also be used but we recommend switching back to the rechargeable batteries as soon as possible.

The SLC24 is supplied as standard with a T24-HS simple handheld battery powered display which features an 8 digit display for use with a single telemetry acquisition module. If multiple acquisition modules are to be used we can provide a T24-HA advanced handheld telemetry display which can display up to 12 separate inputs. If you need more, we can offer a PC-based monitoring system capable of monitoring and recording data live from up to 100 load shackles simultaneously! Please [contact our technical team](#) for more information.

Options:

- Special Ranges and Capacities up to 2000te
- Centralising Load Bobbin
- Special Telemetry Systems Available
- Lloyds, ABS or DNV Witness Testing

Applications:

- Under-Hook Hoist/Crane Weighing
- Cable Tension Monitoring
- Towing/Mooring Tension
- Crane Safe Load Monitoring
- Multi-Point Lifting / Weighing Systems



APPLIED MEASUREMENTS LTD.

Transducer Specialists...

+44 (0) 118 981 7339

info@appmeas.co.uk

www.appmeas.co.uk

Specification:

	UNITS	SLC24
Rated Load	tonnes	0-12, 0-17, 0-25, 0-40, 0-55, 0-85, 0-120, 0-150, 0-200, 0-300, 0-400
Operating Modes	Tension Only	
Non-Linearity	±%/Rated Load (typically)	<1
Non-Repeatability	±%/Rated Load	<0.1
Transmission Distance	metres	up to 120 (clear line of sight)
Battery Life	hours	200 (continuous use)
Battery		Internal rechargeable NiMh
Battery Charging		Batteries can be removed from case for recharging
Operating Temperature Range	°C	-20 to +60
Safe Overload	% of Rated Load	150
Ultimate Overload	% of Rated Load	300
Safety Factor:		3:1
IP Rating (Environmental Protection)		IP67
Weight (excluding cable)	kg	see dimensional table

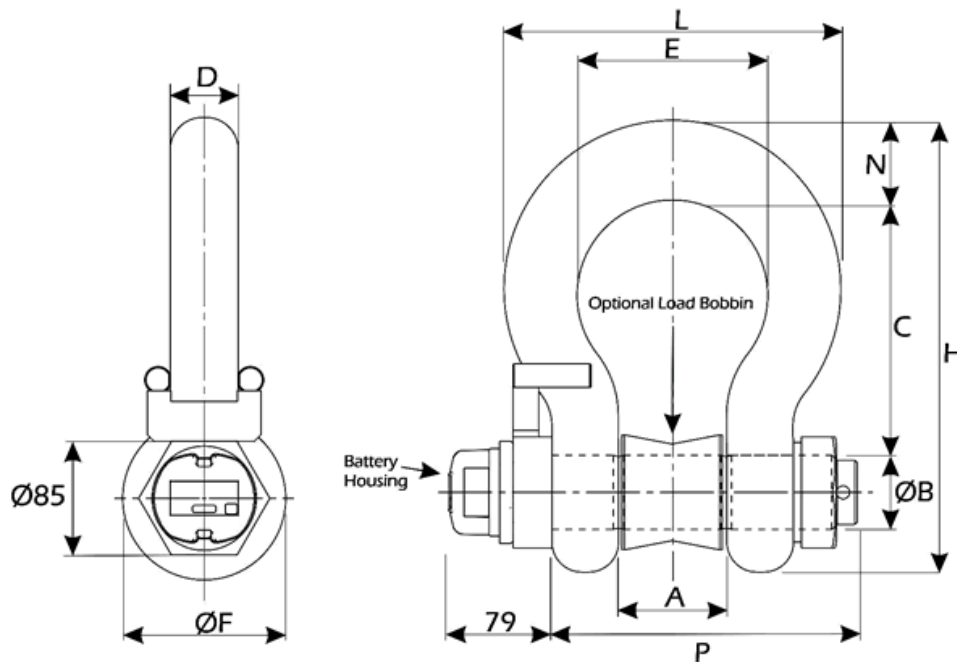
Ordering Codes:

Core Product	Capacity (inc Engineering Units)	Cable Length (m)	Specials Code	Example Result
SLC24	12t	000	000	SHK24-12t-000-000
SLC24	17t	000	000	SHK24-17t-000-000
SLC24	25t	000	000	SHK24-25t-000-000
SLC24	40t	000	000	SHK24-40t-000-000
SLC24	55t	000	000	SHK24-55t-000-000
SLC24	85t	000	000	SHK24-85t-000-000
SLC24	120t	000	000	SHK24-120t-000-000
SLC24	150t	000	000	SHK24-150t-000-000
SLC24	200t	000	000	SHK24-200t-000-000
SLC24	300t	000	000	SHK24-300t-000-000
SLC24	400t	000	000	SHK24-400t-000-000

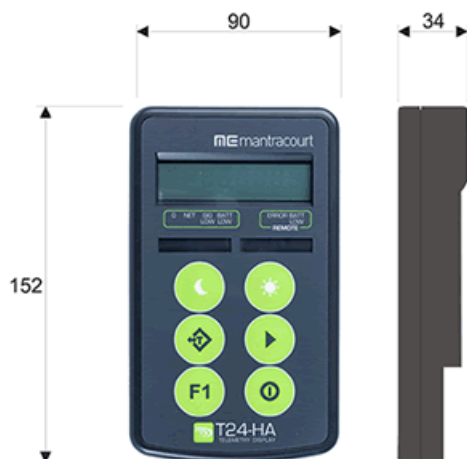


Dimensions (mm):

Rating (tonnes)	A	ØB	C	D	E	ØF	H	L	N	P	Weight (kgs)	Resolution (tonnes)
0-12	51.5	35.1	119	31.8	82.5	76	210	146	35.1	171	8	0.01
0-17	60.5	41.4	146	38.1	98.5	92	254	175	41.1	201	12	0.02
0-25	73	51	178	44.5	127	106	313	225	57	236	18	0.02
0-40	73.2	50.8	178	46.7	127	106	313	224	57.2	236	18	0.05
0-55	82.6	57.2	197	52.8	146	122	347	258	61	269	25	0.05
0-85	105	69.9	267	68.8	184	148	455	324	79.2	351	45	0.1
0-120	127	82.6	330	79.2	200	165	546	371	92.2	387	85	0.1
0-150	133	95.3	372	95.3	229	203	632	432	105	448	125	0.1
0-200	184	121	386	95.3	279	267	706	529	127	580	215	0.2
0-300	213	152	470	127	330	330	871	629	154	610	364	0.2
0-400	255	175	680	165	325	350	1078	655	165	700	560	0.5



Dimensions T24-HS Handheld Wireless Telemetry Display:





APPLIED MEASUREMENTS LTD.
Transducer Specialists...

+44 (0) 118 981 7339

info@appmeas.co.uk

www.appmeas.co.uk

Associated Products:



[T24 Wireless Analogue Output Module](#)



[T24-BSue Compact 2.4GHz Telemetry Base Station](#)



[T24-HA Advanced Handheld Telemetry Display](#)



[T24-RM1 Wireless Relay Module](#)



[T24-PR1 Wireless Telemetry Printer](#)



[T24LOG100 Software](#)