



**APPLIED MEASUREMENTS LTD.**  
Transducer Specialists...

+44 (0) 118 981 7339

[info@appmeas.co.uk](mailto:info@appmeas.co.uk)

[www.appmeas.co.uk](http://www.appmeas.co.uk)

## T24-ACM Wireless Telemetry Acquisition Connectivity Module

### Key Features:

- Sensor Input Options: Strain Gauge, Current, Voltage, Temperature, Pulse & Potentiometer
- Wireless Transmission Range up to 800m
- Internal Batteries (2x 'D' Cells give up to 5 Years Life) or External DC Power
- IP67 Rated ABS Enclosure
- Easy Connectivity to Sensor with 2 Part Screw Terminals for Wireless Sensing
- Remote Power 'on' and 'off'
- 3 Years Warranty



The T24-ACM is the largest of the T24 wireless sensing modules and can be used to acquire data from a variety of different sensors including; strain gauge (full bridge as standard, half or quarter bridge inputs on request), DC current, DC voltage, pulse, temperature (PT100) and potentiometer. The acquisition connectivity module enclosure is rated to IP67 making it suitable for use in many tough industrial and outdoor environments.

The T24-ACM incorporates a mounting PCB for your chosen T24 acquisition module (not included), simple screw-type wiring terminals, a battery holder for 2x 'D' size batteries and an external antenna to provide improved transmission range of up to 800 metres in ideal conditions. You will need to purchase the external 'e' suffix version of the acquisition module to utilise this antenna. The battery life using 2x 'D' size cells is up to 5 years, by 'powering down' between transmissions or 'powering off' completely. The T24-ACM module can also be powered by an external power supply.

The T24-ACM module comes with free Telemetry Toolkit Software which allows the user to configure and provide data logging for up to 100 devices. A T24 base station is required to use the software and configure T24 modules.

Alternative transmitter modules are available offering different IP ratings and dimensions. Please see our [T24-ACMi](#) and [T24-ACMm](#) for more information.

### Options:

- Batteries or External Power Supply
- Signal Input Options:
  - Strain Gauge (Load Cells, Force Transducers, Pressure Sensors, etc.)
  - Fast Strain Gauge (2kHz version of above).
  - Current (4-20mA or 0-20mA input).
  - Voltage (0-5Vdc, 0-10Vdc, 0-4.5Vdc, 1-5Vdc, 1-6Vdc, etc.).
  - Temperature (for PT100 type 385 sensors).
  - Pulse (Outputs in rpm, Hz, and time, actual pulse counting and measuring the period between pulses).
  - Potentiometer (For any potentiometer-based sensor with a resistance of between 500ohms and 100kOhms).



# APPLIED MEASUREMENTS LTD.

Transducer Specialists...

+44 (0) 118 981 7339

[info@appmeas.co.uk](mailto:info@appmeas.co.uk)

[www.appmeas.co.uk](http://www.appmeas.co.uk)

## Industries:

- Civil Engineering
- Lifting & Handling
- Waste Management
- Alternative Energy
- Construction
- Automotive
- Silo & Weighing Industry
- Marine

## Applications:

- Wireless Monitoring of Bridge Structures
- Wireless Monitoring of Anchor Loads
- Wireless Bridge Surveying via GPRS
- Wireless Truck Load Weight Monitoring
- Wireless Skip Weighing System
- Wireless Platform Weighing with Ticket Printing
- Wireless Monitoring of Building Foundations
- Wireless Telemetry Strain Measurement of Wind Turbines
- Remote Load Monitoring of Construction Shoring Struts
- Force Measurement in Formula Racing
- Wireless Silo Weighing
- Superyacht Sail-Track Development
- Telemetry Monitoring on High Altitude Roads
- Radio Telemetry Monitoring of Underwater Turbine
- Wireless Mooring Rope Monitoring
- Wireless Valve Control
- Torque Measurement Using Wireless Technology

## Specification:

Radio	Min	Typical	Max	Units
Licence		Licence Exempt		
Modulation Method		MS (QPSK)		
Radio Type		Transceiver (2 way)		
Data Rate		250		K bits / second
Radio Frequency	2.4000		2.4835	GHz
Power		10		mW
Range*			800	Metres
Channels (DSSS)		15		

\*Tests conducted in an open field site with the transmitter at the top of a 3m pole. The receiver was mounted 1.5m off the ground.

## Ordering Codes:

Input Modules (Determined by Order Code)	
T24-ACM-SA	Strain Gauge (load cells, force transducers, pressure sensors, etc.).
T24-ACM-SAf	Fast Strain Gauge (2kHz version of the above).
T24-ACM-IA	Current (4-20mA or 0-20mA input).
T24-ACM-VA	Voltage (0-5Vdc, 0-10Vdc, 0-4.5Vdc, 1-5Vdc, 1-6Vdc, etc.).
T24-ACM-TA	Temperature (for PT100 type 385 sensors).
T24-ACM-PA	Pulse (Outputs in rpm, Hz, and time, actual pulse counting and measuring the period between pulses).
T24-ACM-RA	Potentiometer (for any potentiometer-based sensor with a resistance).



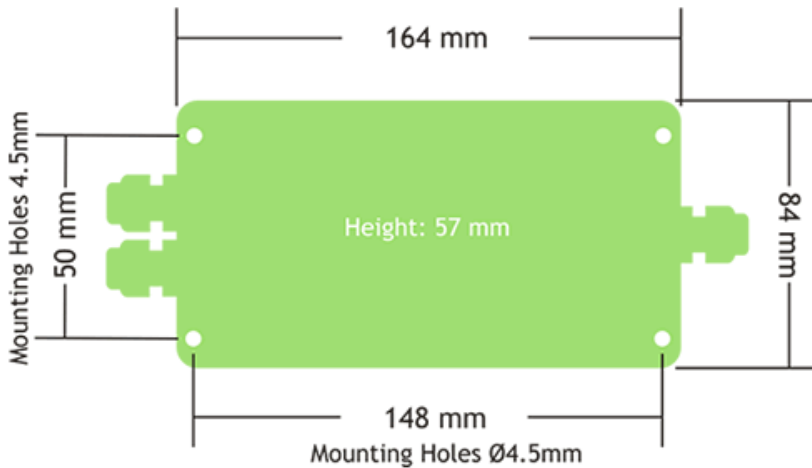
**APPLIED MEASUREMENTS LTD.**  
Transducer Specialists...

+44 (0) 118 981 7339

[info@appmeas.co.uk](mailto:info@appmeas.co.uk)

[www.appmeas.co.uk](http://www.appmeas.co.uk)

## Dimensions (mm):



## Associated Products:



[T24-ACM Wireless Sensor Module Enclosure with External Power](#)



[T24-ACMi Mini Sensor Enclosure](#)



[T24-ACMm Mini data transmitter case for strain, 0-20 mA, 0-10 V](#)



[T24-HA Radio Telemetry Handheld Display up to 12 Inputs](#)



[T24-HS Radio Telemetry Portable Display for 1 Wireless Sensor](#)



[T24-HR Radio Telemetry Handheld for Multiple Transmitter Modules](#)



[T24-BSi Radio telemetry base station with USB, RS485 or RS232](#)



[T24-BSu Wireless radio telemetry USB base station](#)