



APPLIED MEASUREMENTS LTD.
Transducer Specialists...

+44 (0) 118 981 7339

info@appmeas.co.uk

www.appmeas.co.uk

T24-BSu Miniature 2.4GHz USB Wireless Telemetry Base Station

Key Features:

- Provides Wireless Data Acquisition from T24 Acquisition Modules
- Works with all T24 Telemetry Instruments
- Simple USB Device
- Very Compact
- IP50 Rated Enclosure
- Powered From USB Port
- Simple 'Plug & Play' USB
- Configure & Calibrate the T24 Devices
- Data Collection for PC/PLC
- Miniature desk or wall mounting
- IP50 enclosure dimensions 76 x 35 x 20 mm



The T24-BSu Base Station allows configuration of any of the T24 wireless telemetry modules via a PC or laptop using the T24 Telemetry Toolkit Software which is included. It draws power from the USB bus and therefore no further components are required to configure and control remote devices from a PC. It can be used to collect data from as many T24 acquisition modules as you have in your system to provide wireless datalogging functionality.

The T24-BSu is supported by not only the T24-toolkit but also with a .dll (Dynamic Link Library) allowing customers using VB (Visual Basic) to develop their own custom software for their applications. The miniature non weatherproof IP50 enclosure is suited to desktop and wall-mounting.

If you require a tougher base station with improved environmental protection, the IP67 rated T24-BSi industrial base station offers the ideal alternative.

Industries:

- Civil Engineering
- Lifting & Handling
- Waste Management
- Alternative Energy
- Construction
- Automotive
- Silo & Weighing Industry
- Marine

Applications:

- Wireless Monitoring of Bridge Structures
- Wireless Monitoring of Anchor Loads
- Wireless Bridge Surveying via GPRS
- Wireless Truck Load Weight Monitoring
- Wireless Skip Weighing System
- Wireless Platform Weighing with Ticket Printing
- Wireless Monitoring of Building Foundations
- Wireless Telemetry Strain Measurement of Wind Turbines
- Remote Load Monitoring of Construction Shoring Struts
- Force Measurement in Formula Racing
- Wireless Silo Weighing
- Superyacht Sail-Track Development
- Telemetry Monitoring on High Altitude Roads
- Radio Telemetry Monitoring of Underwater Turbine
- Wireless Mooring Rope Monitoring
- Wireless Valve Control
- Torque Measurement Using Wireless Technology
- Measuring the Power Output of a Motor



APPLIED MEASUREMENTS LTD.

Transducer Specialists...

+44 (0) 118 981 7339

info@appmeas.co.uk

www.appmeas.co.uk

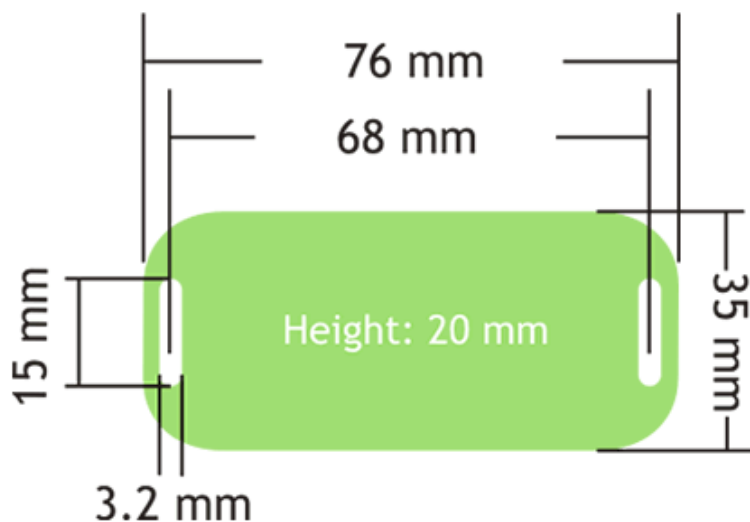
Specification:

Radio	Min	Typical	Max	Units
Licence		Licence Exempt		
Modulation Method		MS (QPSK)		
Radio Type		Transceiver (2 way)		
Data Rate		250		K bits / second
Radio Frequency	2.4000		2.4835	GHz
Power		10		mw
Range*			800	Metres
Channels (DSSS)		15		

*Tests conducted in an open field site with the transmitter at the top of a 3m pole. The receiver was mounted 1.5m off the ground.

T24-BSi	Min	Typical	Max	Units
Power Supply				
USB Power Supply Voltage	4.875	5	5.125	Vdc (As defined by USB 2.0 spec)
USB Bus Powered Operational Current	-	100	-	mA
Environmental				
Operating Temperature Range	-20	-	+55	°C
Storage Temperature Range	-40	-	+85	°C
Humidity	0	-	95	%RH
IP Rating		IP50		

Dimensions (mm):





APPLIED MEASUREMENTS LTD.
Transducer Specialists...

+44 (0) 118 981 7339

info@appmeas.co.uk

www.appmeas.co.uk

Ordering Codes:

T24-BSu	Wireless Radio Telemetry Base Station USB
---------	---

Associated Products:



[T24-ACM Wireless Sensor Module Enclosure with External Power](#)



[T24-ACMi Mini Sensor Enclosure](#)



[T24-ACMm Mini Data Transmitter Case for Strain, 0-20 mA, 0-10 V](#)



[T24-BSi Radio Telemetry Base Station with USB, RS485 or RS232](#)