

Method of Operation

The filter insert is divided into two parts. In the „filtering“ position, only the lower, larger section is rinsed through by water jets from outside to inside. The small upper section does not come in contact with unfiltered water. When the ball valve is opened for reverse rinsing, then the whole filter insert is pushed downwards until the water supply to the outer side of the main filter is stopped. Simultaneously, the water flow is opened to the upper part of the filter. The water needed for cleaning the filter passes through the upper filter section, then the rotating impeller and the main filter from inside to outside, i.e. the filter is reverse rinsed with filtered water. In that way the upper filter is also cleaned by jets from the impeller. The filter automatically switches back to the operating position when the ball valve is closed again.

Filters with Double Spin Technology have turbine blades which circulate the water and thereby set the rotor on the upper filter into a rotational motion. The internal impeller rinses off particles that have adhered to the upper filter at the intersecting points with the rotor.

Options

F76S-...AA = Threaded male connections, filter mesh size 100 µm

F76S-...AAM =Red-bronze filter bowl, threaded male connections, filter mesh size 100 µm

F76S-...EA = Without connections, filter mesh size 100 µm
Connection size

Filters with other mesh widths available on request

Connection size	R	1/2"	3/4"	1"	1 1/4"	1 1/2"	2"
Nominal size diameter	DN	15	20	25	32	40	50
Weight	ca. kg	2,9	2,9	3,1	3,3	4,0	4,8
Dimensions	mm						
	L	170	178	209	222	246	267
	I	110	110	130	130	150	150
	H	449	449	453	453	532	532
	h	350	350	351	351	417	417
	D	97	97	97	97	120	120
Flow value at Δp = 0,5 bar	m ³ /h	4,5	5,9	7,9	9,8	10,0	11,5
k _{vs} -value		6,9	9,0	12,0	15,0	22,4	25,7
DIN/DVGW Approval No.		requested				NW-9301 AT 2308	
Double Spin Technology		yes	yes	yes	yes	no	no

Accessories

Z11S Automatic reverse rinsing actuator

For automatic filter cleaning at presettable intervals

RV277 Inlet check valve

Available in sizes R1/2" - 2"

VST06 Connection set

Connection set
A = Threaded male connection;
B = Solder union connection

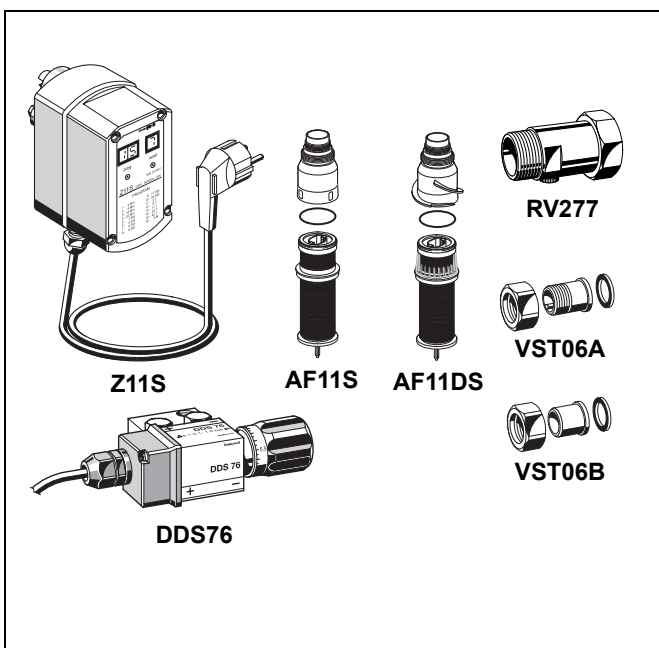
DDS76 Differential pressure switch

AF11S Filter insert complete

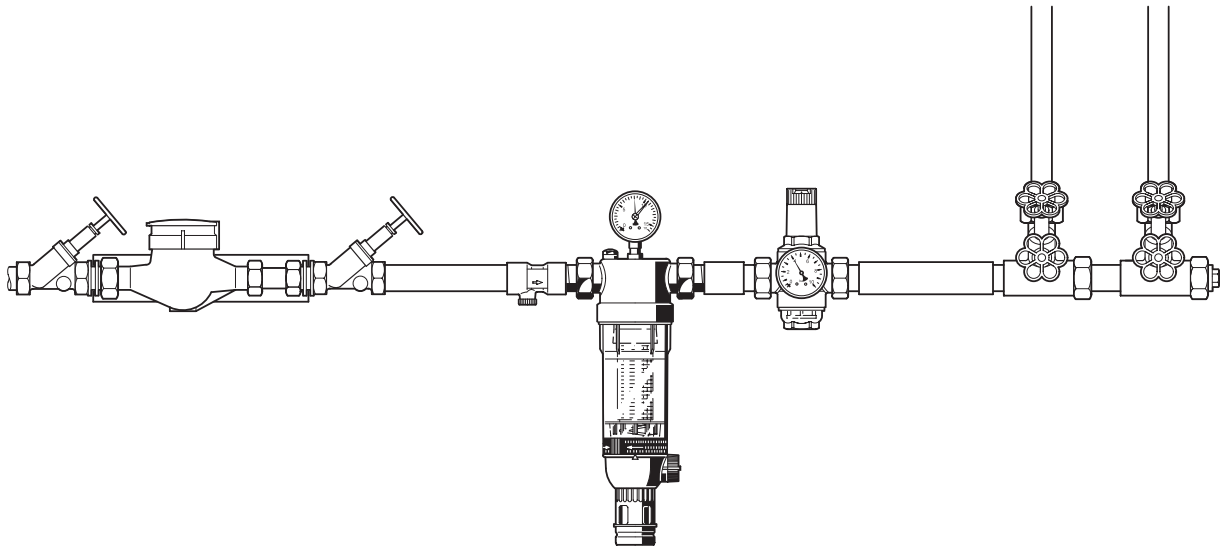
Available with filter meshes 20 µm, 50 µm, 100 µm, 200 µm, 300 µm, 500 µm

AF11DS Filter insert complete

Available with filter meshes 100 µm, for filters with Double Spin Technology



Installation Example



Installation Guidelines

- Install in horizontal pipework with filter bowl downwards
 - This position ensures optimum filter efficiency
- Install shutoff valves
 - Pressure gauge can be read off easily
 - Degree of contamination can be easily seen with clear filter bowl
 - Simplifies maintenance and inspection
- Fit immediately after water meter
 - Corresponds to DIN 1988, Part 2

Typical Applications

Fine filters of this type are suitable for supplies to buildings of all types. They can be used for industrial or commercial purposes within their specification.

Fine filters of this type are installed:

- Where there is existing metal or plastics pipework
- If the downstream system includes appliances which must be protected against dirt

Flow Diagram

