

# NEW 4K 18GBPS HDMI HDBASE-T EXTENDER

EXTEND ULTRA-  
HD 4K X 2K 4:4:4  
HDMI DISPLAY,  
MULTI-CHANNEL  
AUDIO,  
ETHERNET,  
RS232, IR &  
POWER UP TO  
230 FEET



Contact our Technical Sales  
Team for more details

## **ITM Components**

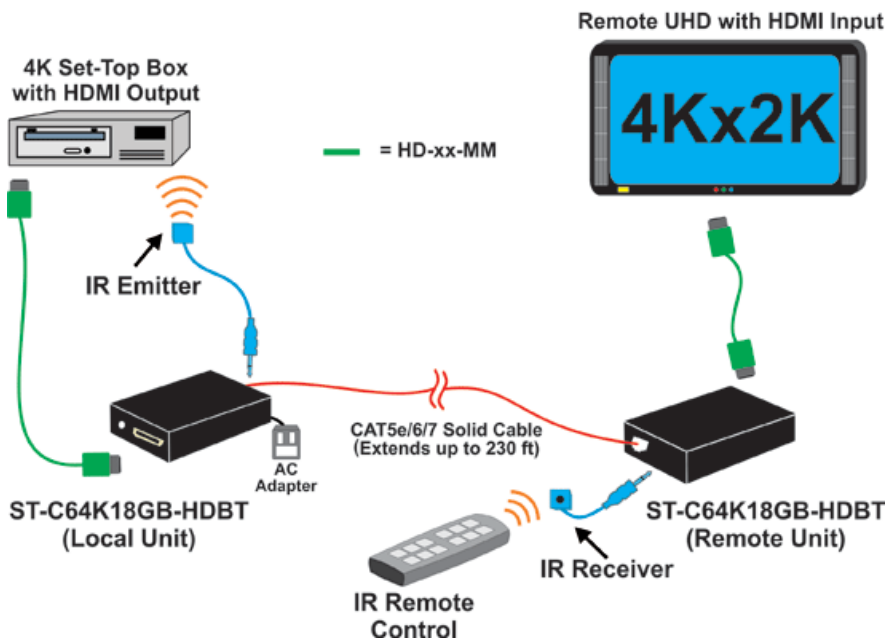
10 Whittle Road  
Ferndown Industrial Estate  
Wimborne  
Dorset  
BH21 7R+44  
(0)1202 872771

**NTI**® NETWORK  
TECHNOLOGIES  
INCORPORATED

**ITM**  
ITM Components

## Features

- Supports Ultra-HD 4Kx2K resolutions of 4096x2160 and 3840x2160 @24/30/60Hz YUV 4:4:4, HDTV resolutions to 1080p, and computer resolutions to 1920x1200 (WUXGA).
- Configure and control the switch through front panel buttons, Ethernet, IR remote control, or RS232.
- Each input can be independently connected to any or all outputs.
- HDMI 2.0 and HDCP 2.2 compliant.
- Selectable built-in EDID table.
- Compact 1RU design.



The ST-C64K18GB-HDBT transmits uncompressed digital Ultra-HD HDMI 4Kx2K 60Hz 4:4:4 signal, IR, RS232, Ethernet, and power up to 230 feet over a single CAT5e/6/7 solid cable using HDBase-T technology.

The ST-C64K18GB-HDBT consists of a local unit that connects to an HDMI source and a remote unit that connects to an HDMI display. It supports Ultra-HD 4Kx2K resolutions to 3840x2160 and 4096x2160 @30/50/60Hz YUV 4:4:4 up to 230 feet (70 meters), and HDTV resolutions to 1080p @120Hz up to 275 feet (84 meters).