

## PAC10压机专用电子凸轮

### Electronic PLS Specialized for Press

- 曲轴角度 / 速度显示  
Crank angle/speed display
- 生产计数  
Production counting
- 12组电子凸轮输出  
12 PLS outputs
- 上死点停机角度自动补偿  
Machine stop autocompensation  
at TDC
- 冲程速度上下限控制  
High/low stroke speed limit
- 刹车惯量监测  
Brake monitor
- RS485通讯  
RS485 communication



PAC10凸轮控制器是为了改变目前大多数压力机使用机械凸轮带来的许多不便（如调节困难、无法对上死点停机自动补偿、显示和设定不精确、离合器状态无法监测等问题）而开发的专用控制器。其极高的性能价格比为国内压力机凸轮控制带来了历史性的革命。

其安装方便,设置简单.输出接口既可以单独驱动继电器负载也可与PLC互联。

提供了顶点自动停机和电子凸轮设定的控制。

PAC10 PLS controller is specially developed to change and solve the inconveniences by using a press with the mechanical cam, such as adjustment difficulty, machine stop autocompensation at Top dead center can't be achieved, inaccurate display and setting, clutch status can't be monitored, etc. High cost performance of the state-of-the-art PLS control sets off a historic revolution for the domestic press PLS control.

It's easy to install the controller and make settings, and its output interface can not only drive the relay directly, but also be connected to a PLC. It has the important features, Slade stop automatically at TDC, PLS control function.

## 技术说明/Technical Specification

### PAC10

- 2排10位LED显示  
10 digits LED display in two lines
- 曲轴角度显示  
Crank angle display
- 下死点设定  
Bottom dead center settings
- 生产计数功能  
Production counter
- 制动惯量监测  
Brake monitor
- 顶点停机角度补偿  
Angle compensation at TDC
- 12组电子凸轮输出  
12 groups of electronic PLS outputs
- 防打滑第2角度检测  
Anti-skid detection of the second angle
- 编码器正/反转设定  
Forward/Reverse rotate settings of encoder
- 固定角度顶点输出  
Fixed angle output at TDC
- 高/低速度限制  
High/Low speed limit
- 离合器动作计数  
Clutch engagement counter
- 输入/输出检测  
I/O detection

### PAC10-ASD

- 2排8位LED显示  
8 digits LED display in two lines
- 曲轴当前角度显示  
Current crank angle display
- 冲程速度显示  
Stroke speed display
- 下死点设定  
Bottom dead center settings
- 最高速度达2000RPM  
Allowed Max. speed up to 2000RPM

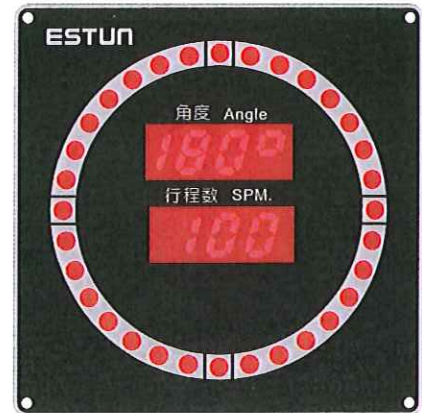
## 电源规格

### Power Supply Specification

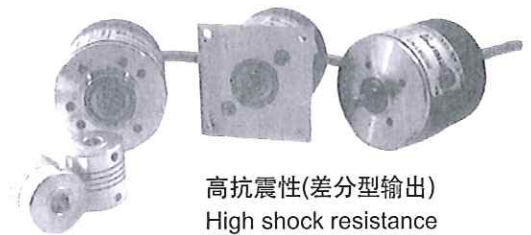
DC 24V±10% 1A

- 输入: DC 24V 20mA  
Input: DC 24V 20mA
- 输出: DC 24V 50mA  
Output: DC 24V 50mA

## 相关附件/ Accessories



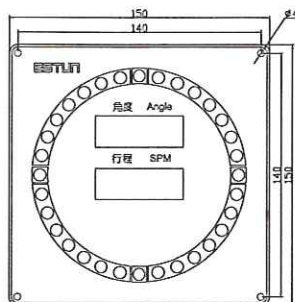
PAC10-ASD显示单元(可选)  
PAC10-ASD Display unit (Optional)



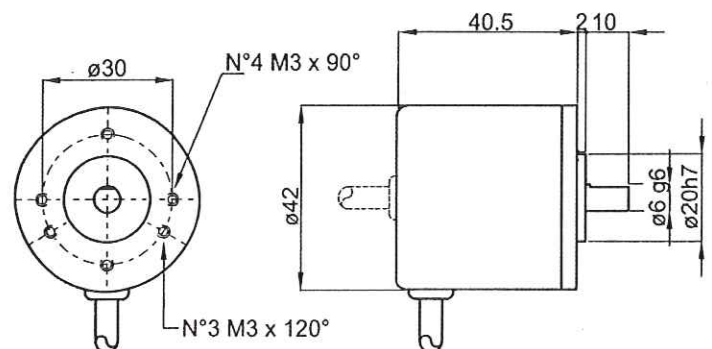
高抗震性(差分型输出)  
High shock resistance  
(Differential output)

连接轴 R6×6  
Coupling R6×6

## 安装尺寸/Mounting Dimension



PAC10/PAC10-ASD



EH-EL40A

ESTUN

南京埃斯顿数字技术有限公司  
Estun Digital Technology Co., Ltd.

地址: 南京江宁经济开发区将军大道155号

电话: 025-52785979 传真: 025-52785576

www.estun.com

E-MAIL: info@estun.com

经销商