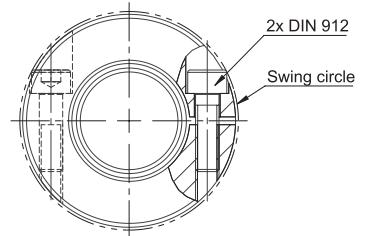
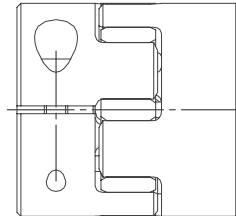


SKK Series Elastomer Compensation Couplings

SKK Series Characteristics

- Clamping hub made of high strength aluminium
- Backlash-free torque transmission
- Easy assembly, connectable
- Electrically isolating
- Optimum damping behaviour by spider(s)
- 98° Shore A execution
- High level of thermal stability
- Very low mass moment of inertia
- Ideal for servomotors
- Compensation of radial, axial and angular misalignment
- Various kinds of elastomer hardness of spiders



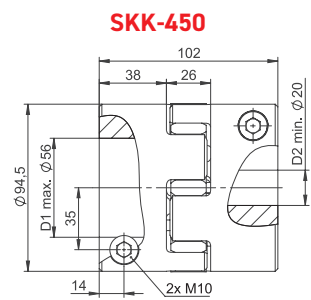
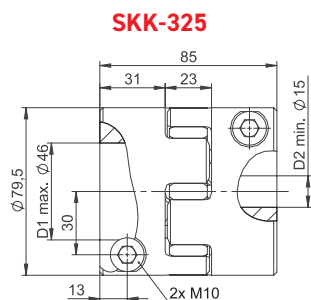
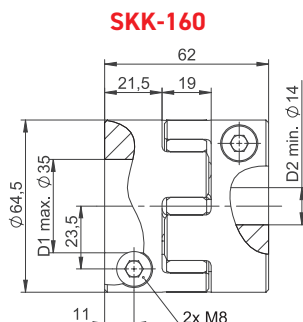
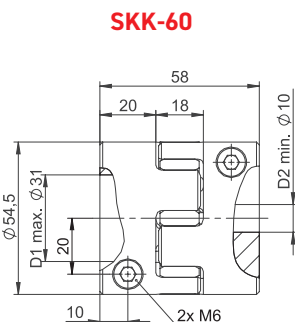
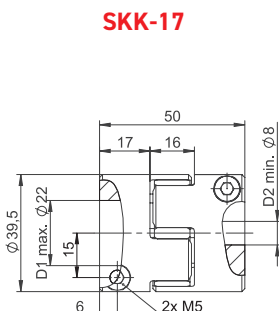
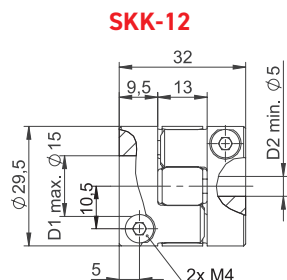
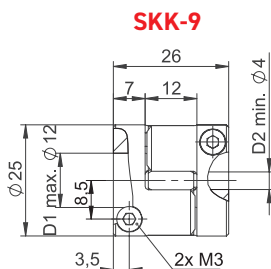
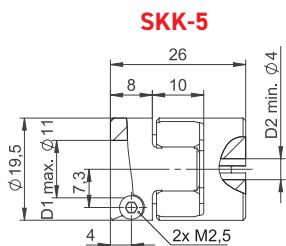
SKK Series Short Compact Type With Clamping Hub



SKK Series Order Example

Code: **SKK - 160 - 20H7 - 22H7 - A - 98 Sh A - U - P**
 Options: 1 2 3 4 5 6 7 8

Options	Coupling Specifications
1	Coupling Series
2	Size
3	Bore D1
4	Bore D2
5	Material: A= Aluminium (Standard) S= Steel E= Stainless Steel
6	Elastomer Spider Shore Hardness
7	U: Undrilled G: Drilled
8	Keyway: _ = No Keyway P= DIN 6885 Keyway



Model No.	Colour	Nominal Torque (Nm)	Max. Torque (Nm)	Static spring stiffness (Nm/rad)	Lateral spring stiffness (N/mm)	Max. lateral shaft misalignment (mm)	Max. angular shaft misalignment (Degree)	Max. axial shaft misalignment (mm)	max. speed (rpm)	Tightening torque of screws MA(Nm)	Swing circle (Ø mm)
SKK-5	Red	5	10	51	518	0.08	0.9	+0.8 / -0.4	19000	4.0	23.0
	Blue	1.8	3.6	17	125	0.19	1.1				
	Yellow	3	6	31	262	0.13	1.0				
	Green	6	12	74	796	0.05	0.8				
SKK-9	Red	9	18	241	846	0.08	0.9	+0.9 / -0.4	15000	1.5	26.0
	Blue	3	6	84	274	0.20	1.1				
	Yellow	5	10	160	470	0.14	1.0				
	Green	12	24	328	1198	0.05	0.8				
SKK-12	Red	12.5	25	172	654	0.09	0.9	+1.0 / -0.5	13000	5.0	33.0
	Blue	4	8	60	153	0.21	1.1				
	Yellow	7.5	15	115	336	0.15	1.0				
	Green	16	32	234	856	0.06	0.8				
SKK-17	Red	17	34	860	2010	0.06	0.9	+1.2 / -0.5	10000	11.0	43.0
	Blue	5	10	340	582	0.15	1.1				
	Yellow	10	20	570	1120	0.10	1.0				
	Green	21	42	1240	2930	0.04	0.8				
SKK-60	Red	60	120	2060	2560	0.10	0.9	+1.4 / -0.5	7000	18.0	56.0
	Yellow	35	70	1430	1480	0.14	1.0				
	Green	75	150	2980	3969	0.07	0.8				
SKK-160	Red	160	320	3440	3200	0.11	0.9	+1.5 / -0.7	6000	36.0	67.0
	Yellow	95	190	2290	1780	0.15	1.0				
	Green	200	400	4350	4348	0.08	0.8				
SKK-325	Red	325	650	7160	4400	0.12	0.9	+1.8 / -0.7	5000	84.0	88.0
	Yellow	190	380	4580	2350	0.17	1.0				
	Green	405	810	10540	6474	0.09	0.8				
SKK-450	Red	450	900	19200	5930	0.14	0.9	+2.0 / -1.0	4000	84.0	95.0
	Yellow	265	530	6300	2430	0.19	1.0				
	Green	560	1120	27580	7270	0.10	0.8				

Belt Driven Actuators
MTB Series
MTE Series
MTS Series
MTZ Series
MTF Series
CTJ Series
Ball screw Actuators
MTV Series
CTV Series
PNCE Series
Automation Components