



Unit 21 Stort Mill, Riverway, Harlow, Essex CM20 2SN

Sales Office: TEL +441279 639251  
FAX: +441279 641118

EMAIL: [sales@ccsukltd.co.uk](mailto:sales@ccsukltd.co.uk)  
Web: [www.ccsukltd.co.uk](http://www.ccsukltd.co.uk)

Sales Contacts: -Peter Elwood [peter@ccsukltd.co.uk](mailto:peter@ccsukltd.co.uk)  
James Elwood [james@ccsukltd.co.uk](mailto:james@ccsukltd.co.uk)

# Assembly Tooling Information Document

## Crimp Tools BNC, TNC, N, SMA RG58 RG142 RG223



Product code: [CR015075](#)

Pressmaster Crimp Tool (MCC1113) for Coaxial Connectors  
Full Ratchet Crimp Cycle  
RG58CU RG142 RG223 RG400 RG59 RG62  
RG174 - FOUR PART CONNECTOR  
Crimps the Following Connectors and Others. Please call for further  
applications.  
BNC - PSF1/3  
BNC / TNC / UHF- RG174 - 4 Part Connector  
BNC / TNC - RG179 - 4 Part Connector  
BNC / TNC / UHF / N / SMA - RG58  
BNC / TNC - RG59  
BNC - CT100  
Hex Sizes 0.256" 0.514" 0.068"  
(6.48mm 5.41mm 1.69mm)

## Crimp Tools RG6, CT100, CT125, PSF1/2, RG59,



Product code: [CR01RG6](#)

Ratchet Crimp Tool.  
Tool frame made from hardened steel.  
Ratchet Controlled Crimp Cycle.  
Ratchet Release Option.  
Crimps The Following Connectors  
BNC / TNC N RG58 RG59  
BNC - PSF1/2  
BNC - RG6  
BNC - CT125  
F Type - RG59  
F Type - CT100  
F Type - CT125  
Hex Sizes 0.255" 0.213" 0.100" 0.068" 0.324"  
(6.48mm 5.41mm 2.50mm 1.72mm 8.23mm)  
RG58, RG59, RG62, RG6

## Crimp Tool BNC CT167



Product code: [CR01CT167](#)

BNC - CT167

## Crimp Tool FME RG174



Product code: [CR01FME174](#) FME - RG174

## Crimp Tool F TYPE RG179



Product code: [CR01F179](#)

F Type - RG179

## Crimp Tools For RG213 RG214 RG11 RG8 LMR400



Product code: [CR01213](#)

Ratchet Crimp Tool  
Tool frame Made From Hardened Steel  
Ratchet Controlled Crimp Cycle  
Ratchet Release Option  
RG213 RG214 RG11 URM67 LMR400 RG8

## Universal Coaxial Termination Kit



Product code: [CCS330K](#)

### **Product Information**

This case contains a cable cutter, coaxial cable stripper, a tool frame and five die sets covering almost any hexagonal dimensions from 1.07mm to 10.9mm across flats. Please consult the table below for each of the five die sets individual crimp dimensions supplied with the Kit.

[View PDF of Kit Contents](#)

## F-Crimper for RG6/59 and CT100



Product code: [CCS106H](#)

### **Product Information**

#### **F-Crimper for RG6/59 & CT100**

This heavy duty crimp tool has a frame made from hardened steel, yellow non-slip handles, and is fitted with precision Die sets for RG6/59 and CT100. The hexagonal across flats die set dimensions are: .322" (8.20MM) and .360" (9.12MM)

## F-Connector Tool



Product code: [CCS2203F](#)

### **Product Information**

The F-Connector tool has two functions, a 7/16 in. hex socket and 3/8-32 threaded end. The hex socket aids the installation and removal of F-Connectors in hard to reach and crowded conditions.

## Sub D-Type Tool



Product code: [CCS225D](#)

### **Product Information**

Ratchet controlled crimp tool made from hardened steel and fitted with a precision die set to crimp rolled Sub'D contacts AWG18-22 and 24-30.

## Insertion & Extraction Tool



Product code: [CCS101](#)

### **Product Information**

Tool for inserting and extracting rolled male and female Sub'D centre contacts.

## F-Connector Termination Aid



Product code: [CCS224D](#)

### **Product Information**

The tool is designed to reduce termination time and improve connection quality terminating F connectors to RG6 and RG59 cable. The tool is used to flare the braid before fitting the connector to avoid short circuiting and the F sockets aids pushing the plug firmly into the cable before crimping.

**Stripping Tool For, RG58, URM43, URM70,  
BELDEN 9907, RG59, RG62, URM70, PSF1/3**



Product code: [CST5859](#)

For Cables

RG58, URM43, URM76, Belden 9907, RG59, RG62, URM70, PSF1/3

Other Stripping Tools Available. Please Advise Our Sales Team The  
Details Of The Cable You Require Tooling For.

## Coaxial Cable Stripper RG59 & RG6



Product code: [CCS312A](#)

### **Product Information**

#### **Coaxial Cable stripper RG59 & RG6**

A rotary, 3 blade, coaxial cable stripper. Removes cable jacket, braid and dielectric in one stripping operation. The tool is set-up to strip RG59 cable on one side of the reversible V-block and RG6 cable on the other side. The tool is supplied with an allen key for fine adjustment of the three individual cutting blades.

User instructions are supplied with the tool.

The stripping dimensions between the blades are: 8 MM braid & 4MM dielectric

## Coaxial Cable Stripper RG213 and Thick Ethernet



Product code: [CCS312S](#)

### **Product Information**

#### **Coaxial Cable Stripper RG213 and Thick Ethernet**

A rotary, 3 blade, coaxial cable stripper. Removes cable jacket, braid and dielectric in one stripping operation. The tool is set-up to strip coaxial cables with an O/D of app. 10.3 MM such as RG213 and Thick Ethernet cable. The tool is supplied with an allen key for fine adjustment of the three individual cutting blades.

User instructions are supplied with the tool. The stripping dimensions between the blades are: 8 MM braid & 4MM dielectric

## CATV Cable Stripper



Product code: [CCS8720ES](#)

### **Product Information CATV Cable Stripper**

Coaxial cable stripper specifically designed for installation and maintenance of cable systems in the Satellite and CATV industry.

The two interchangeable cartridges, supplied with the tool, strip cable RG6/59, CT100 and RG7/11, CT125, CT167. The stripping lengths for both cartridges are: cable jacket and dielectric .25" (6.4MM).

- Supplied with user instructions
- No adjustment needed
- Pre measured stops eliminates measuring and trimming
  - Spare cartridge holder built into the tool
  - Extra large finger hole
- Replacement cartridges are available

## Compact coaxial Cable Stripper



Product code: [CCS323](#)

### **Product Information**

**Pocket size coaxial cable stripper for RG6/59 (CT100) & RG7/11 (CT125 CT167)**

Cable preparation made easy. The pre-set coaxial cable stripper needs no setting up to strip RG6/59 cable at one end and RG7/11 cable at the other. The compact stripper cuts the outer jacket and the braid/dielectric in one stripping operation each to a length of 0.25" (6.4 mm).

## Network Cable Tester



Product code: [CT1](#)

The network cable tester is a palm-sized unit with 4 different ports, RJ45, RJ11, USB, and BNC for the testing of most popular cables. The unit can be used to verify the condition of the cables before and after their installation.

- Connected wires display
- Detachable module for testing two remote points
  - Open/short wiring test
- Detect Ethernet 1-BASE-2 terminator
  - Non-parallel display
  - One step operation
- Powered by 9V alkaline battery
  - Automatic deactivation
- Supplied with carrying bag

## **NETWORK CABLE TESTER for modular RJ45 and BNC coaxial cables**



Product code: [CCSCT2](#)

### **Product Information**

#### **Network Cable Tester for modular RJ45 and BNC coaxial cables**

The tester and remote unit are designed for a quick and easy continuity test of patch cables or installed cables in a network. Individual LED displays for each modular cable RJ45 and coaxial BNC connection indicate any open or short wiring.

## Cable Tie Gun



Product code: [CCS218](#)

### **Product Information**

This metal frame tie wrap gun will tighten and cut plastic ties. The cutting edge is 7 mm wide and is suitable for cable tie sizes from 2.2 mm to 4.8 mm.

## Compression Tool



Product code: [CCSH510](#)

### **Product Information**

#### **Compression Tool for terminating different length F-plugs to cable RG6 & RG59.**

A heavy duty all steel made tool with ergonomic non-slip handles and a ratchet controlled cycle mechanism. The compressed length can be adjusted for a wide range of compression style F-connectors including Augat®, T&B®, Snap-N-Seal, PPC® Ex style..... to fit coaxial cable RG6 and RG59.

## Compression Tool For RG11 F-Connectors



Product code: [CCS508E1](#)

### **Product Information**

A heavy duty all steel made tool with non-slip handles and ratchet controlled cycle mechanism to compress RG11 F-Connectors

## Compression Tool for RG6/59 Snap & Seal F connectors



Product code: [CCS508](#)

### **Product Information**

A heavy duty all steel made tool with non-slip handles and ratchet controlled cycle mechanism to compress RG6/59 SNAP & SEAL F connectors.

## Punch Down Tool with 110 Blade For AT & T IDC's



Product code: [CCS6021](#)

### **Product Information**

#### **Termination Punch Down Tool with 110 Blades for AT & T® IDC's**

High quality punch down tool with high and low impact adjuster. Supplied with 110 Blade in lockable storage in handle. Bayonet style mount allows the blades to be easily and quickly replaced. Spare 110 blade and blades for KRONE LSA-PLUS® and BIX blades are available on request.

## 10 Termination Tool additional KRONE Blade



Product code: [CCS6021KR](#)

### Product Information

**Additional Blade for KRONE LSA-PLUS® IDC Termination Blocks.** The blade attachment is designed to bayonet lock into our Punch Down Tool CCS-6021.

## 110 Termination Tool additional BIX Blade



Product code: [CCS6021BIX](#)

### Product Information

#### **Additional Blade for BIX (630A Phone Jack) Terminal Block**

The blade attachment is designed to bayonet lock into our Punch Down Tool DCS-6021. Blades on both ends of the attachment are to terminate BIX (630A Phone Jack) connections.

## 5-pair S110 Termination Tool



Product code: [CCS315DR](#)

### **Product Information**

#### **5-pair S110 Termination Tool**

Connects up to five pairs in one operation on both the cable side and the cross-connect side of 110 blocks.

Replacement 5 pair S110 cassettes are available. Our Part Number CCS-15D

## Krone Inserter



Product code: [CCS314KR](#)

### **Product Information**

Wire inserter 2A for KRONE IDC termination blocks with pull-out hook and blade on the side of the tool.

## Ratchet Crimp Tool for BT631A & BT431A Telephone Plugs



Product code: [CCS236BT](#)

### **Product Information**

A high quality crimp Tool fitted with a precision die set to crimp BT631A 6-way and BT431A 4-way Telephone Plugs. The Tool is of robust metal construction and operates a controlled crimp cycle mechanism. The die set is designed for a positive seating of the plug before crimping and crimps the first and secondary strain relief. The die set accepts plugs with left or right hand release latch.

## **Crimp Tool for BT631A & BT431A Telephone Plugs and RJ11-RJ12 Modular Plugs**



Product code: [CCS26B](#)

### **Product Information**

#### **Crimp Tool for BT631A & BT431A Telephone Plugs and RJ11/RJ12 Modular Plugs**

The tool frame made from hardened steel and fitted with precision dies for BT Telephone plugs and RJ11/RJ12 modular plugs.

The tool has a spring-loaded crimp mechanism and is fitted with blades for cable cutting and stripping flat multi-conductor cables.

## Heavy Duty modular, parallel action, ratchet crimp Tool



Product code: [CCS500R](#)

### Product Information

#### Heavy Duty modular, parallel action, ratchet crimp Tool

One Tool, **Three Functions**, **Cuts** and **Strips** flat & round UTP/STP cables and **Crimps** most popular modular plug to solid or stranded wire cables. The tool has a ratchet controlled cycle mechanism and the parallel action does crimp in the dual position modular plugs 8P8C/RJ-45, 6P6C/RJ-12 and 6P4C/RJ-11.

## Modular, dual position, ratchet crimp Tool



Product code: [CCS568R](#)

### Product Information

#### Modular, dual position, ratchet crimp Tool

The **Three Function**. Most popular tool **Cuts** and **Strips** flat & round UTP/STP cables and **Crimps** modular plugs. The tool has a ratchet controlled cycle mechanism and in the dual position does crimp modular plugs 8P8C/RJ-45, 6P6C/RJ-12, 6P4C/RJ-11.

## Ratchet Crimp Tool for RJ-45 Plugs



Product code: [CCS2368P](#)

### **Product Information**

A high quality crimp tool fitted with a precision die set for RJ45 plugs. The tool is of robust metal construction with a controlled crimp cycle mechanism. The die set is designed for a positive seating of the plug before crimping.

## Economy RJ45 crimp Tool



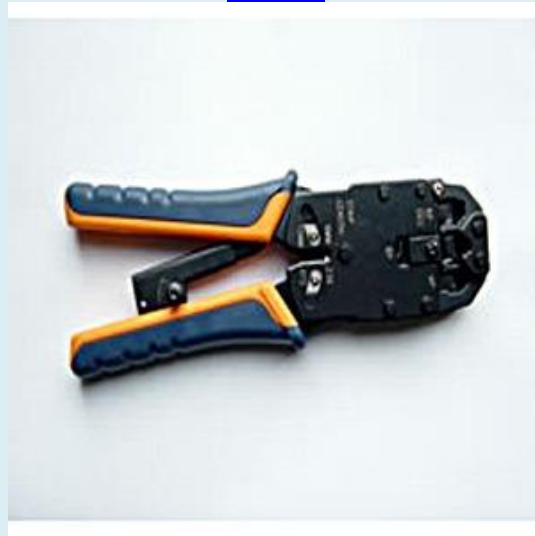
Product code: [CCS210C](#)

### **Product Information**

#### **Economy RJ45 crimp Tool**

An all steel frame contraction with spring loaded mechanism to crimp RJ45 plugs. Incorporated in the tool are a cable cutter and stripping blades to remove the outer jacket from flat and round UTP/STP cables. The tool has a slide lock for safe storage.

## Professional modular, parallel action. ratchet crimp Tool



Product code: [CCS2008R](#)

### Product Information

#### Professional modular, parallel action, ratchet crimp Tool

One Tool, **Three Functions**. **Cuts** and **Strips** flat & round UTP/STP cables and **Crimps** all popular modular plugs to solid or stranded wire cables. The tool has a ratchet controlled cycle mechanism and the parallel action dies crimp modular plugs 8P8C/RJ-45, 6P6C/RJ-12, 6P4C/RJ-11, 4P4C & 4P2C and 6P6C-DEC.

Combined with the ergonomics of the non-slip handles and the positive seating of the plug before crimping, this tool does produce terminations at the highest standard.

## Ratchet crimp Tool for shielded RJ45 Plugs – HIROSE



Product code: [CCS336Q](#)

### **Product Information**

An all steel tool frame with ratchet controlled cycle mechanism and comfort grip ergonomic shaped handles for better control and comfort. The tool is fitted with a precision die sets to crimp shielded long connector Body HIROSE RJ45 plugs.

## Ratchet crimp Tool for shielded RJ45 Plugs - STEWART STAMPING



Product code: [CCS236S](#)

### **Product Information**

An all steel tool frame with ratchet controlled cycle mechanism and comfort grip ergonomic shaped handles for better control and comfort. The tool is fitted with a precision die sets to crimp shielded STEWART STAMPING RJ45 plugs.

## Ratchet crimp tool for shielded RJ45 Plugs - HIROSE & TELEGARTNER



Product code: [CCS236Q](#)

### **Product Information**

An all steel tool frame with ratchet controlled cycle mechanism and comfort grip ergonomic shaped handles for better control and comfort. The tool is fitted with a precision die sets to crimp shielded HIROSE and TELEGARTNER RJ45 plugs.

## Case with crimp Tool Frame & 5 Die Sets



Product code: [CCS2230B](#)

### **Product Information**

**Case with ratchet crimp tool frame and 5 interchangeable die sets**

**for RJ modular plugs and BNC coaxial connectors**

The tool case contains a ratchet controlled tool frame with ergonomic bi-material handles for better control, grip and comfort and is supplied with thumb screws for quick and easy tool free change of die sets.

The strong PVC case has a high-density foam insert with shaped cut-outs for tool frame and eight die sets. Three spare die set spaces are available for customising the case with additional die sets from our extensive range available from our website.

#### **The 5 die sets crimp:**

RJ45 AMP style modular Plugs

RJ11 AMP style modular Plugs

RJ45 Stuart Stamping modular Plugs

RJ11 DEC style modular Plugs

RG58 & RG59 BNC coaxial Connectors

## Case with crimp Tool Frame



Product code: [CCS2230](#)

### **Product Information**

#### **Case with crimp Tool Frame**

A strong PVC carrying case for tidy storage and easy transportation with a hard foam cut-out for the crimp tool frame and up to eight die sets. The ratchet crimp tool frame, supplied with the case, is made from hardened steel and has two thumb screws for easy tool free die set change.

This option allows you to fill the case with up to eight dies of your own selection from our range on the website.

## Ratchet crimp Tool Frame



Product code: [CCS236FM](#)

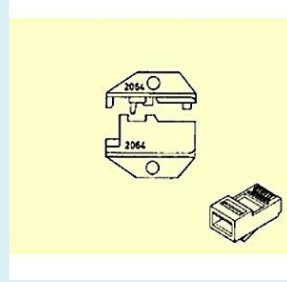
### **Product Information**

#### **Ratchet crimp Tool Frame**

Ratchet controlled tool frame made from hardened steel, supplied with two thumb screws for easy tool free die set change.

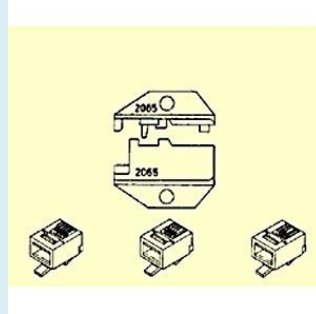
This option allows you to purchase the frame only and separately select a die set from our range on the website.

## Die set for RJ45 8P8C AMP



Product code: [CCSD2064](#) - **Product Information**-Die set for RJ45 8P8C AMP. To fit tool frame CCS236FM

## Die set for RJ11 6P6C AMP

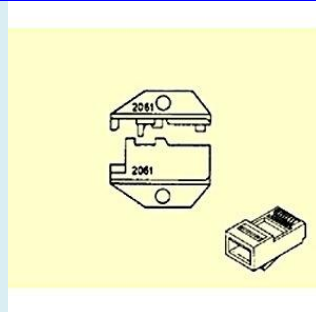


Product code: [CCSC2065](#)

### **Product Information**

Die set for RJ11 6P6C AMP. To fit tool frame CCS236FM.

## Die set for RJ45 8P8C Stewart

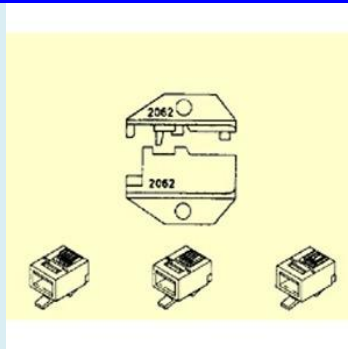


Product code: [CCSA2061](#)

### **Product Information**

Die set for RJ45 8P8C Stewart Stamping.. To fit tool frame CCS236FM

## Die set for RJ11 6P6C Stewart

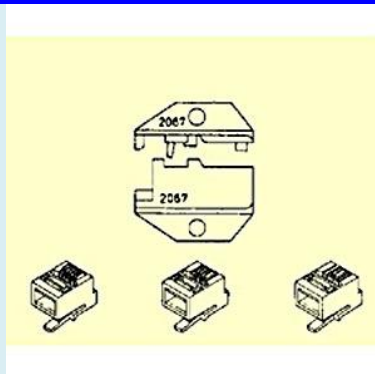


Product code: [CCSB2062](#)

### **Product Information**

Die set for RJ11 6P6C Stewart Stamping. To fit tool frame CCS236FM

## Die set for RJ11 6P6C DEC

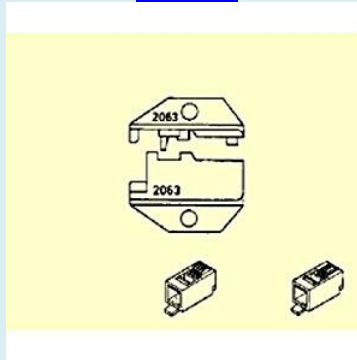


Product code: [CCSG2067](#)

### **Product Information**

Die set for RJ11 6P6C DEC. To fit tool frame CCS236FM

## Die set for RJ22(RJ12) 4P4C Telephone Handset plug

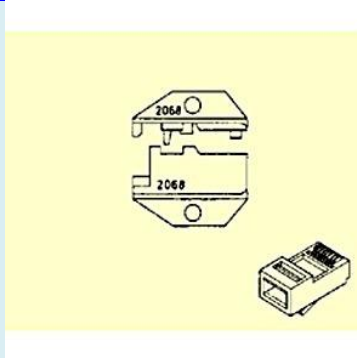


Product code: [CCSF2063](#)

### **Product Information**

Die set for RJ22(RJ12) 4P4C modular telephone handset plug. To fit tool frame CCS236FM

## Die set for RJ45 10P10C



Product code: [CCSE2068](#)

### **Product Information**

Die set for RJ45 10P10C. To fit tool frame CCS236FM

## Die set for coax RG58, RG59 & Thin Ethernet



Product code: [CCSH2069](#)

### **Product Information**

**Die set for coax RG58, RG59 & Thin Ethernet.**

The die set dimensions across flats are: .256"(6.50MM), .068"(1.72MM) and .213(5.41MM).

To fit tool frame CCS236FM

## Die set for coax RG213 & Thick Ethernet



Product code: [CCSK2070](#)

### **Product Information**

**Die set for coax RG213 & Thick Ethernet.**

Die set dimensions across flats: .100"(2.54MM), .128"(3.25MM) and .429"(10.90MM).

To fit tool frame CCS236FM

## Crimp Tool Case for Shielded & Unshielded RJ-Modular Plugs, Fibre Optic Connectors + BNC Coax Conn's



Product code: [CCS2240](#)

### Product Information

#### **Crimp Tool Case for Shielded & Unshielded RJ-Modular Plugs, Fibre Optic Connectors and BNC Coaxial Connectors**

The tool frame and 8 die sets are supplied in a strong PVC case. The ratchet tool frame is made from hardened steel and fitted with comfort grip handles for better control and comfort. The tool is supplied with a pair of thumb screws for tool free die change. The precision manufactured die sets are to crimp:

HIROSE shielded long body RJ45 plug

- HIROSE and TELEGARTNER shielded short body RJ45 plug
  - STEWART STAMPING shielded RJ45 plug
    - AMP style unshielded RJ45 plug
    - AMP style unshielded RJ11 plug
  - SMA Fibre Optic round crimp dimension 1.07/1.72/3.38/4.11/4.95 MM
- SMA & ST Fibre Optic hexagonal crimp dimensions across flats 1.07/1.72/3.84/4.52/5.41 MM
  - BNC coaxial connectors RG58 and 59

## Professional modular Tool Kit with heavy duty ratchet Crimper & Punch Down Tool + 110 + KRONE Blades



Product code: [CCS2200B](#)

### Product Information

#### Professional modular Tool Kit with heavy duty ratchet Crimper & Punch Down Tool with 110 and KRONE® Blade

A high quality installer's kit comprising of all essential tools required for the installation of structured cable. The kit is supplied in a robust carry case for safe transportation and easy storage. For a detailed description of the individual tools supplied in the kit visit the product page on our website.

Case contents:

1 Heavy duty Modular Crimp Tool RJ45, RJ11, RJ12 and DEC **CCS2008R**

- 1 UTP/STP Cable preparation Tool **CCSS501**
  - 1 Punch down Tool [CCS-6021](#)
- 1 Blade AT&T 110 IDC Block **CCS6021/110**
  - 1 Blade KRONE **CCS6021KR**
    - 20 RJ45 Plugs 8P8C
    - 20 RJ45 Strain Relief Boots

External Case Dimensions 300 x 230 x 60 mm

Supplied with modular plug termination instructions

## Installer Tool Kit with heavy duty ratchet modular Crimper & Punch Down Tool with 110 + KRONE Blades



Product code: [CCS2500B](#)

### Product Information

#### **Installer Tool Kit with heavy duty ratchet modular Crimper & Punch Down Tool with 110 and KRONE® Blade**

A high quality installer's kit comprising of all essential tools required for the installation of structured cable. The kit is supplied in a robust carry case for safe transportation and easy storage. For a detailed description of the individual tools supplied in the kit visit the product page on our website.

#### Case contents:

- 1 Heavy duty Modular Crimp Tool RJ45 and RJ11/RJ12 **CCS500R**
- 1 UTP/STP Cable preparation Tool **CCSS501**
- 1 Punch down Tool [CCS6021](#)
- 1 Blade AT&T 110 IDC Block **CCS6021/110**
- 1 Blade KRONE **CCS6021/KR**
- 20 RJ45 Plugs 8P8C
- 20 RJ45 Strain Relief Boots

External Case Dimensions 300 x 230 x 60 mm

Supplied with modular plug termination instructions

## Maintenance Tool Kit with ratchet modular Crimper & Punch Down Tool with 110 and KRONE Blades



Product code: [CCS2568B](#)

### Product Information

#### Maintenance Tool Kit with ratchet modular Crimper & Punch Down Tool with 110 and KRONE® Blade

A high quality maintenance kit comprising of all essential tools required for the installation of structured cable. The kit is supplied in a robust carry case for safe transportation and easy storage. For a detailed description of the individual tools supplied in the kit visit the product page on our website.

Case contents:

- 1 Ratchet Modular Crimp Tool RJ45 and RJ11/RJ12 [CCS568R](#)
- 1 UTP/STP Cable preparation Tool **CCSS501**
  - 1 Punch down Tool [CCS6021](#)
  - 1 Blade AT&T 110 IDC Block **CCS6021/110**
    - 1 Blade KRONE **CCS6021/KR**
      - 20 RJ45 Plugs 8P8C
      - 20 RJ45 Strain Relief Boots

External Case Dimensions 300 x 230 x 60 mm

Supplied with modular plug termination instructions

## Economy Modular Termination Case



Product code: [CCSLC2180](#)

### **Product Information**

#### **RJ45 Termination Kit**

This handy case contains all the Tools, Components & Instructions to repair or make your own RJ45 Plug connections. The strong PVC carrying case contains:

#### **1 x Cable preparation Tool**

The Tool cuts flat and round UTP/STP modular cables and strips the jacket without damaging twisted pair conductors. The blade cutting depths is adjustable.

#### **1 x RJ45 crimp Tool**

A durable all steel frame Tool with ergonomic designed non-slip handles and a connector guide for easy operation.

#### **20 x [RJ45 Plugs](#)**

Quality connectors with 50 Micron gold plated contacts. **10 x Cable strain relief Boots** -To give the termination the professional look and increase the cable bending radius preventing damage during use.

## Crimp Tool Case for Shielded & Unshielded RJ-Modular Plugs, Fibre Optic Connectors + BNC Coax Conn's



Product code: [CCS2240](#)

### Product Information

#### **Crimp Tool Case for Shielded & Unshielded RJ-Modular Plugs, Fibre Optic Connectors and BNC Coaxial Connectors**

The tool frame and 8 die sets are supplied in a strong PVC case. The ratchet tool frame is made from hardened steel and fitted with comfort grip handles for better control and comfort. The tool is supplied with a pair of thumb screws for tool free die change. The precision manufactured die sets are to crimp:

- HIROSE shielded long body RJ45 plug
- HIROSE and TELEGARTNER shielded short body RJ45 plug
- STEWART STAMPING shielded RJ45 plug
  - AMP style unshielded RJ45 plug
  - AMP style unshielded RJ11 plug
- SMA Fibre Optic round crimp dimension 1.07/1.72/3.38/4.11/4.95 MM
- SMA & ST Fibre Optic hexagonal crimp dimensions across flats 1.07/1.72/3.84/4.52/5.41 MM
  - BNC coaxial connectors RG58 and 59

## Cable Cutter 1



- Product code: [CCS206](#)
- **Product Information**
- Cuts cable O.D. up to 10.5mm
- 
- Made from hardened carbon steel with a black oxide finish.

## Cable Cutter 2



Product code: [CCS227](#)

### **Product Information**

Cuts cable O.D. up to 19.1mm. Cable cutter made from hardened carbon steel with black oxide finish.

## 100-pair Group Cutter



Product code: [CCS2066A](#)

### **Product Information**

The Tool cuts up to 100-pair Telephone cables and RG174 coaxial cable bundles. It has a return spring; yellow non-slip plastic moulded Handles and is fitted with a safety lock.

## Flush precision Cutter



Product code: [CCS222](#)

### **Product Information**

Made from alloy steel with angled cutting blades for a flush cut for up to 1 MM (18 AWG) copper wires. Fitted with ergonomic handles.

## Ratchet Heavy Duty Cable Cutter



Product code: [CCS535](#)

### **Product Information**

An all steel ratchet controlled cable cutter to cut copper cables up to 32 MM diameter or 200-pair communication cables.

- Heavy duty Blades
- Storage locking
- Quick release mechanism

## Heavy Duty Cable Cutter



Product code: [CCSA201A](#)

### **Product Information**

The Tool cuts non-ferrous copper and aluminium cables with a maximum Diameter up to 20 mm.

## Ratchet crimp Tool for ST & SC/FC Fibre Optic Connectors



Product code: [CCS225H](#)

### **Product Information**

Ratchet controlled tool frame made from hardened steel and fitted with a precision die set to crimp standard ST & SC/FC fibre optic connectors. The die set crimp dimensions are:

- .137" (3.48MM) **hexagonal crimp**
- .190" (4.85 MM) **round crimp**
- .137" (3.48 MM) **round crimp**

## Ratchet Controlled Tool Frame - Round Crimp Dimensions



Product code: [CCS301F1](#)

**Product Information** Ratchet controlled tool frame made from hardened steel and fitted with a precision die set to crimp a wide range of fibre optic connectors.

The die set **round crimp dimensions** are:

- .042" (1.07 MM)
- .068" (1.72 MM)
- .133" (3.38 MM)
- .162" (4.11 MM)
- .195" (4.95 MM)

## Ratchet Controlled Tool Frame - Hexagonal Crimp Dimensions



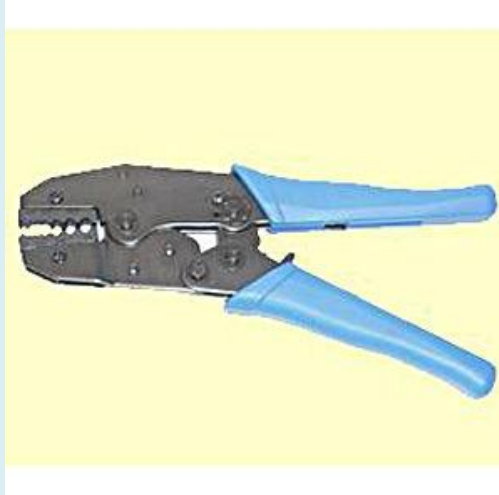
Product code: [CCS301F2](#)

### **Product Information**

Ratchet controlled tool frame made from hardened steel and fitted with a precision die set to crimp a wide range of fibre optic connectors. The die set **hexagonal crimp dimensions** are:

.042" (1.07 MM)  
.068" (1.72 MM)  
.151" (3.84 MM)  
.178" (4.52 MM)  
.213" (5.41 MM)

## Ratchet crimp Tool for LC Fibre Optic Connectors



Product code: [CCS336F4](#)

### **Product Information**

#### **Ratchet crimp Tool for LC Fibre Optic Connectors**

The Tool Frame made from hardened Steel has a ratchet controlled cycle mechanism and is fitted with a precision manufactured die set to crimp LC Fibre Optic Ferrules. The Die Set has five crimp positions. The crimp dimensions are:

- .151" (3.84MM) hexagonal**
- .178" (4.52MM) hexagonal**
- .134" (3.40MM) round**
- .139" (3.53MM) hexagonal**
- .190" (4.83MM) round**

## Ratchet crimp Tool for Fibre Optic Connectors



Product code: [CCS336J](#)

### **Product Information**

The Tool Frame made from hardened Steel has a ratchet controlled cycle mechanism and is fitted with a precision manufactured die set to crimp Fibre Optic Ferrules.

The Die set hexagonal across flats dimensions are:

- .042" (1.07MM)
- .068" (1.72MM)
- .078" (1.98MM)
- .128" (3.25MM)
- .151" (3.84MM)
- .178" (4.52MM)

## Fibre Optic Microscope



Product code: [CCSOS400](#)

### **Product Information**

To complete and determine the quality of a fibre optic connector termination we recommend using our fibre optic microscope. The compact, lightweight microscope is ideal for on site inspection.

Light passes through the objective lens and the adaptor tip, striking the ferrule perpendicular to the end face. The 400 x magnification does produce a high level resolutions and excellent detail of fibre damage, scratches and contamination.

- Manufactured in the US
- A third of the cost to comparable microscopes
  - Supplied in a protective zip bag
  - Ideal to complete on site terminations
    - Handheld & lightweight
    - Robust construction
- The white LED illumination provides a 100.000 hours working life.
  - Perfect vision of fibre end face
    - Fine focus control
    - Built-in IR filter

## **Kevlar Scissors**



Product code: [CCSC151](#)

### **Product Information**

The Kevlar scissors have ergonomic designed non-slip handles and serrated blades for accurate, effortless cutting action.

## **Pen Cleaver**



Product code: [CCSMJ018A](#)

### **Product Information**

The scribe pen cleaver does propagate a clean fracture to the excess fibre and does minimise the possibility of linear cracks. The carbide cutting blade is mounted in an easy to use penholder and for protection/storage the tool is supplied with a removable snap-on cap

## SC/FC Polishing Disc



Product code: [CCSMMB005](#)

### **Product Information**

The precision manufactured aluminium polishing discs are anodised with a protective oxide layer and works with all standard SC/FC Connectors.

## ST Polishing Disc



Product code: [CCSMMB006](#)

### **Product Information**

The precision manufactured aluminium polishing discs are anodised with a protective oxide layer and works with all standard ST Connectors.

## LC Polishing Disc



Product code: [CCSMMB020](#)

### **Product Information**

The precision manufactured aluminium polishing discs are anodised with a protective oxide layer and works with all standard LC Connectors.

## Tri-Hole Fibre Optic Stripper



Product code: [CCS223H](#)

### **Product Information**

The spring loaded fibre cable preparation tool has three guides to perform all common stripping functions in one tool.

- Standard 250 or 125 Micron fibre stripping
- Strips 250 Micron buffer coating
- Hole to remove 2 to 3 MM outer jackets

The tool is made from hardened steel and fitted with a lock for storage. The stripping guide adjustment is a unique feature of the tool.

## Deluxe Tri-Hole Fibre Optic Stripper



Product code: [CCSS144H](#)

### **Product Information**

The fibre cable preparation tool has three guides to perform all common stripping functions in one tool.

- Standard 250 or 125 Micron fibre stripping
  - Strips 250 Micron buffer coating
  - Hole to remove 2 to 3 MM outer jackets

The tool is made from hardened steel and is fitted with two tone non-slip ergonomic formed handles and an elegant lock mechanism. The stripping guide adjustment is a unique feature of the tool.

## Cable Sheath Stripper



Product code: [CCS325](#)

### **Product Information**

High quality ergonomically shaped tool to ring and slit round cable sheath with an O/D from 4.5 mm to 25 mm.

## Two Component Glue for cold cure Fibre Optic Terminations



Product code: [CCSMN002](#)

### **Product Information**

Replacement for consumable fast Epoxy & Hardener for cold cure Fibre Optic terminations with our Termination Case [CCSFOK1](#)