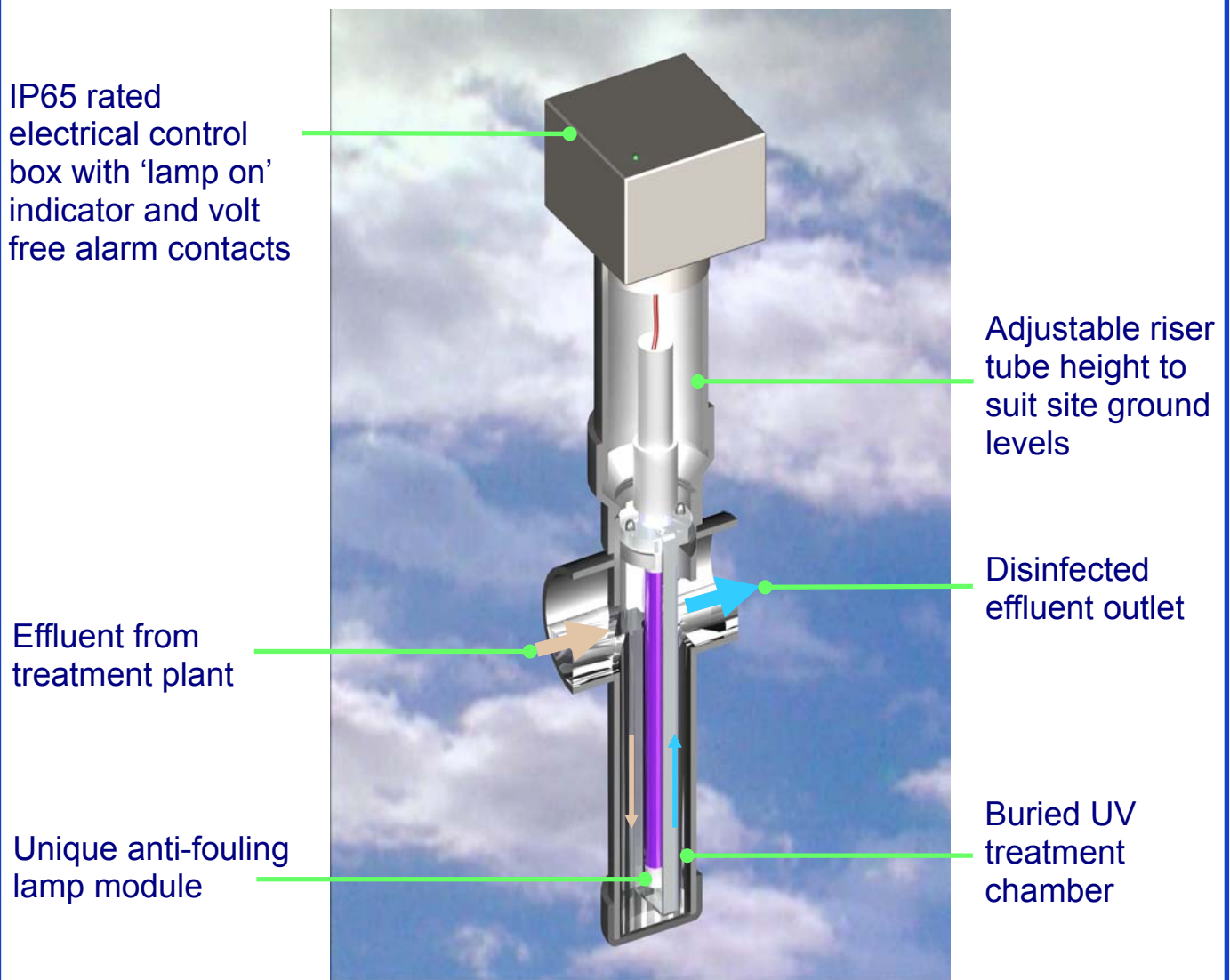


## 3G Effluent Disinfection Modules

Standard on-site wastewater treatment units generally do a good job of removing suspended solids, BOD and total nitrogen. But while they reduce the concentration of pathogenic bacteria, viruses and parasites, additional disinfection is often required. Ultra-violet (UV) can provide that finishing touch.

UV light is an increasingly popular wastewater disinfection method. Our 3G UV units have several inherent advantages over other disinfection techniques:

- No chemical consumption
- Short contact time
- Dosage > 55 mJ/cm<sup>2</sup>
- Low energy requirements
- No moving parts
- Pressure drop < 0.5" of water



**UVO3 Ltd**

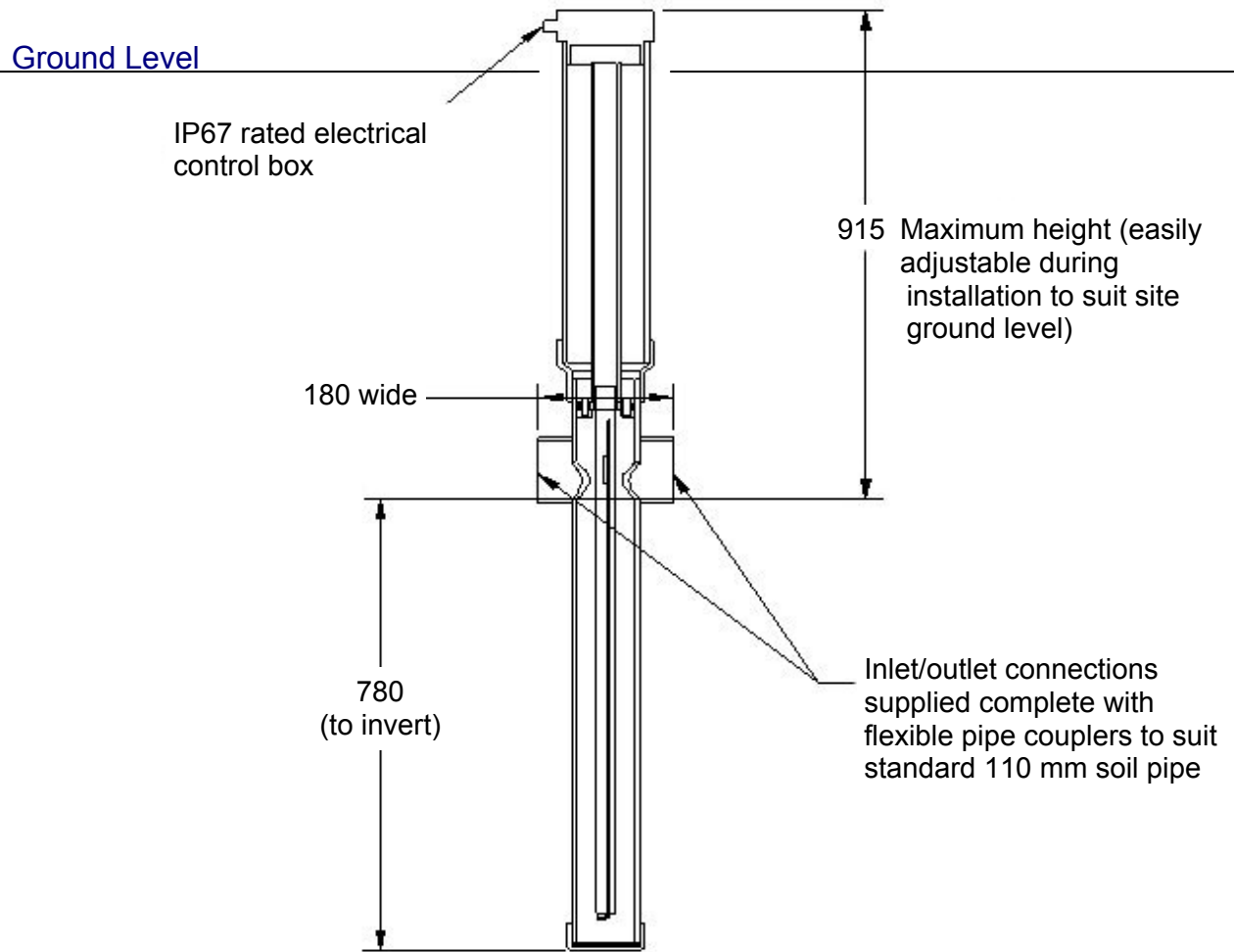
Tel: +44 (0)1480 355446

E-mail: sales@uvo3.co.uk

Fax: +44 (0)1480 353487

Web: www.uvo3.co.uk

# 3G Effluent Disinfection Modules



Due to its modular design, 3G Effluent Disinfection Modules can easily be joined together in series or parallel configurations to provide larger effluent treatment capacity.

Model	Maximum Treatment Capacity		Power Consumption (110 or 230V versions available)	Bacterial Kill Rate
	TSS < 30 mg/l & BOD5 < 30 mg/l	TSS < 10 mg/l & BOD5 < 10 mg/l		
1 x 3G Module	0.67 m <sup>3</sup> /hr	1.33 m <sup>3</sup> /hr	45 W	99.9%
2 x 3G Modules (series or parallel configuration)	1.33 m <sup>3</sup> /hr	2.67 m <sup>3</sup> /hr	90 W	99.9%
4 x 3G Modules (series and parallel configuration)	2.67 m <sup>3</sup> /hr	5.34 m <sup>3</sup> /hr	180 W	99.9%

Larger treatment capacity configurations available.

**UVO3 Ltd: Specialist suppliers of UV water disinfection equipment**



**UVO3 Ltd**  
Tel: +44 (0)1480 355446  
E-mail: sales@uvo3.co.uk

Fax: +44 (0)1480 353487  
Web: www.uvo3.co.uk