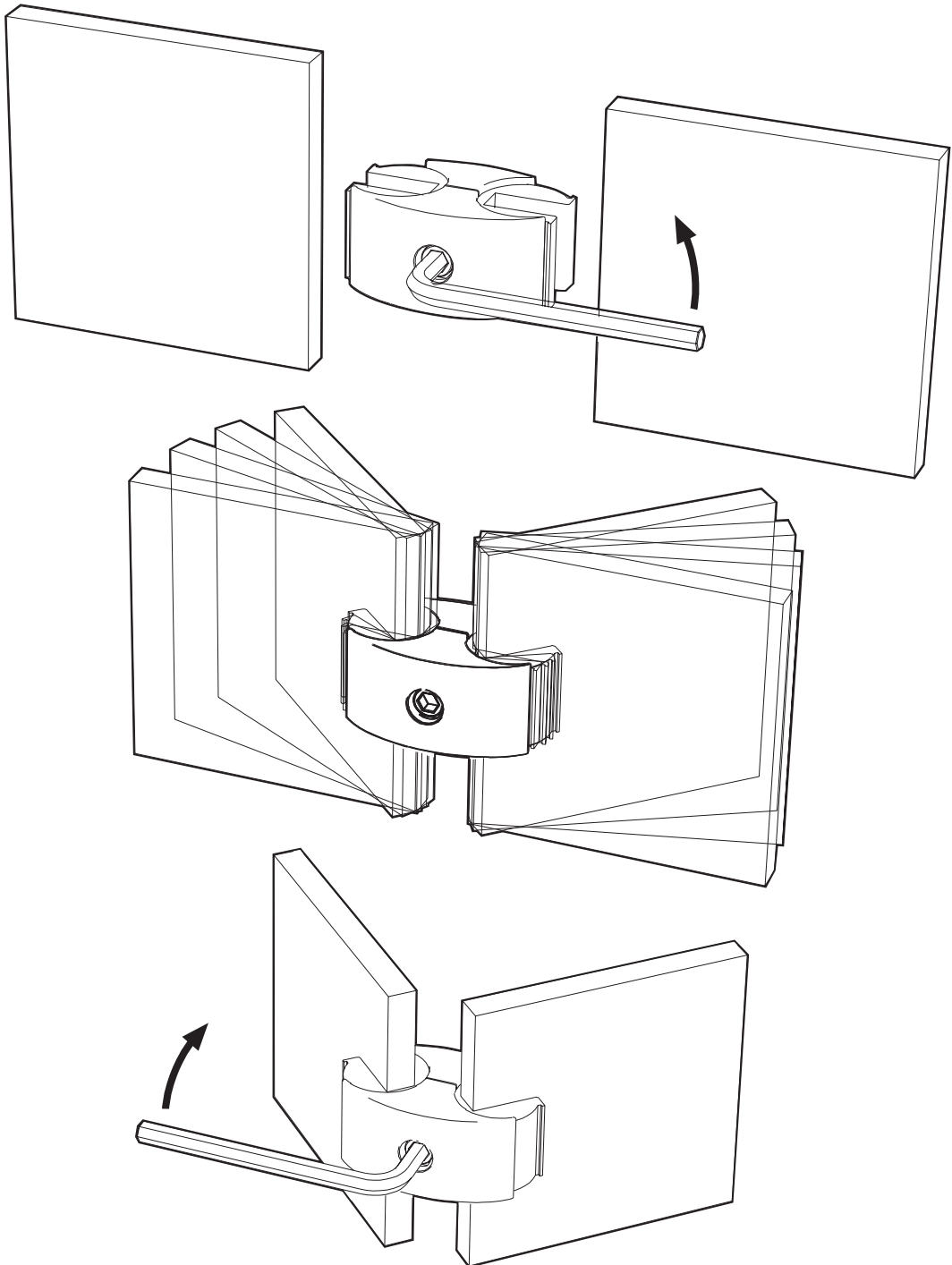
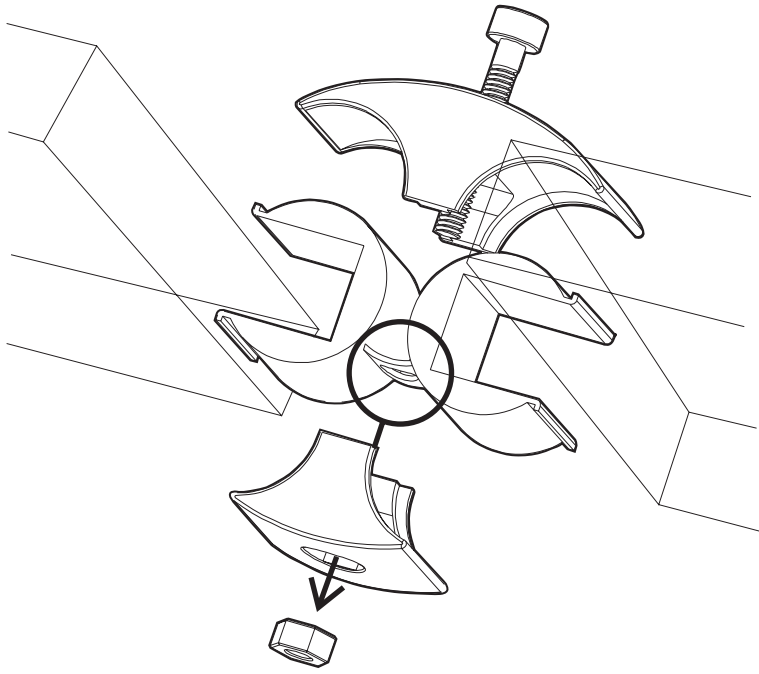
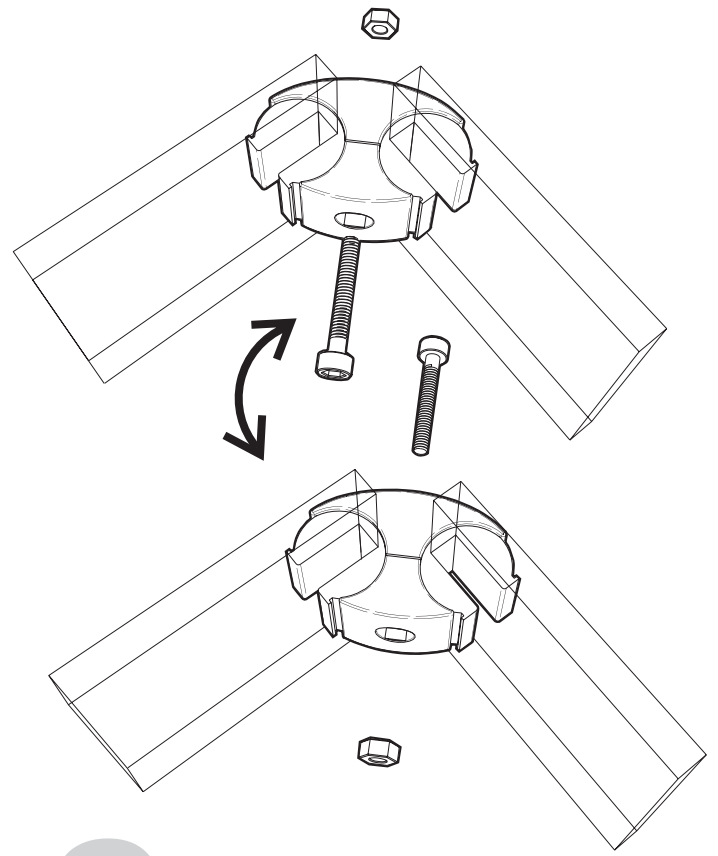


Klemetric®

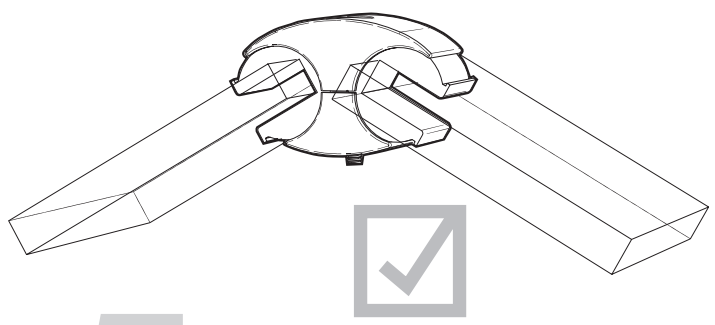
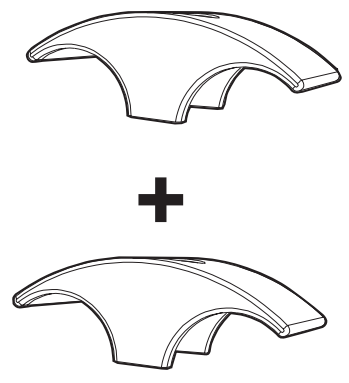
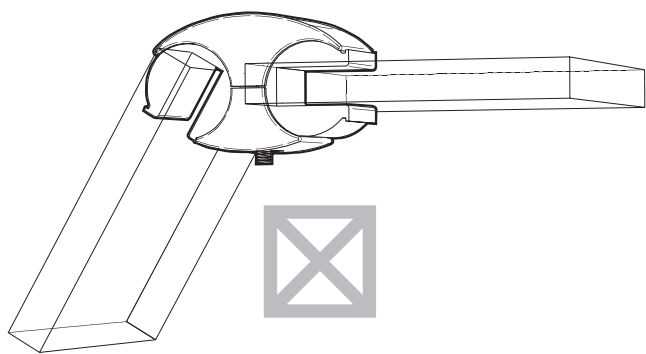




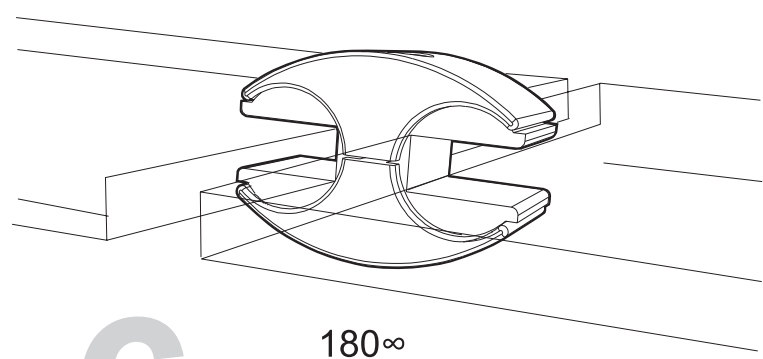
1



2



5

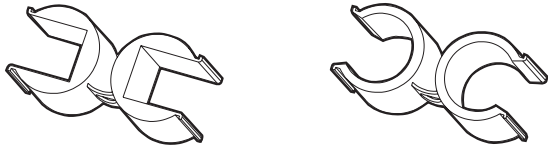


6

180°

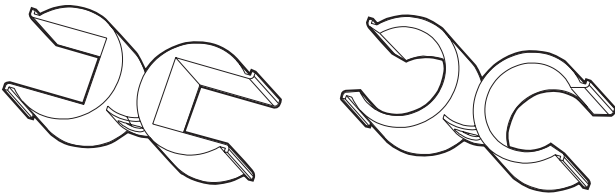
2, 4, 6, 8 mm + \varnothing 13 mm

+/- 1 mm



6, 8, 10, 12, 16, 19mm + \varnothing 20 mm

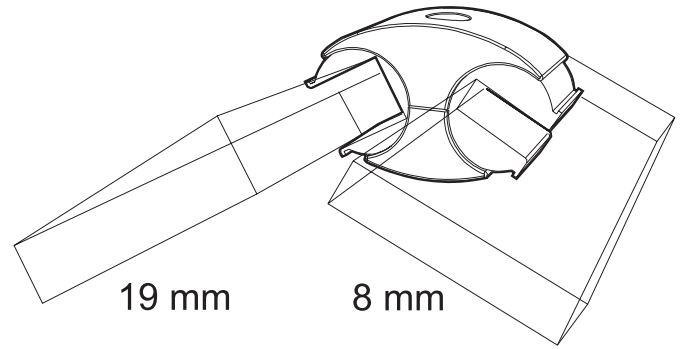
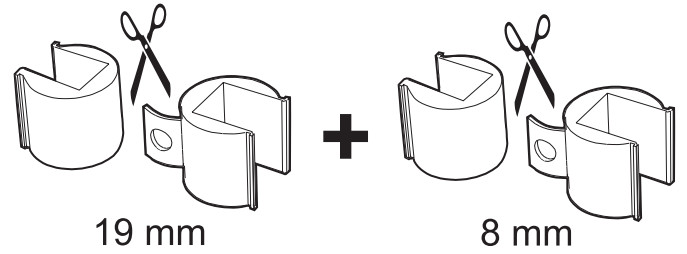
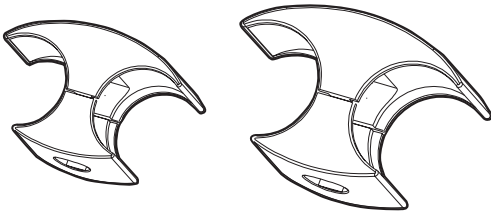
+/- 1 mm



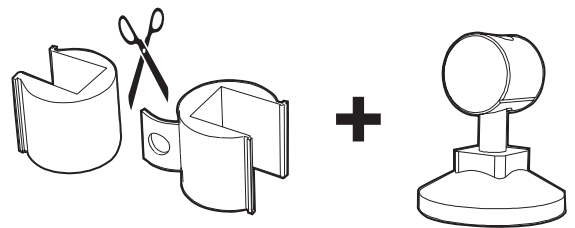
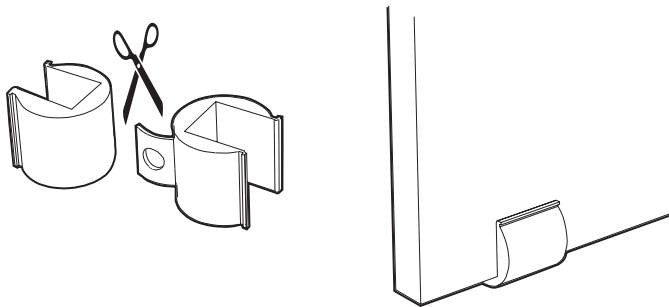
\varnothing 20mm + \varnothing 25 mm

+/- 0 mm

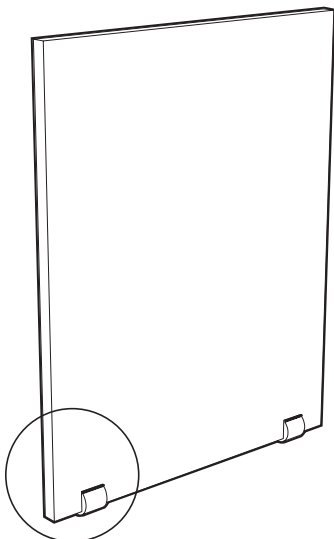
3



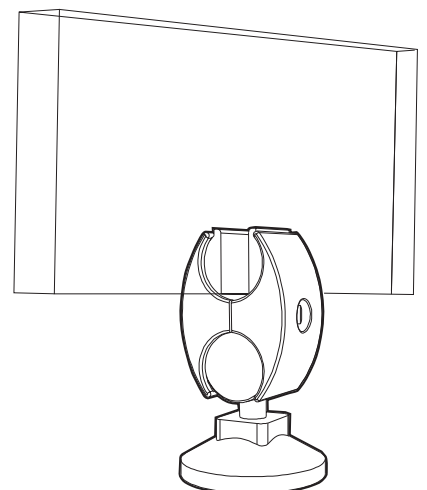
4



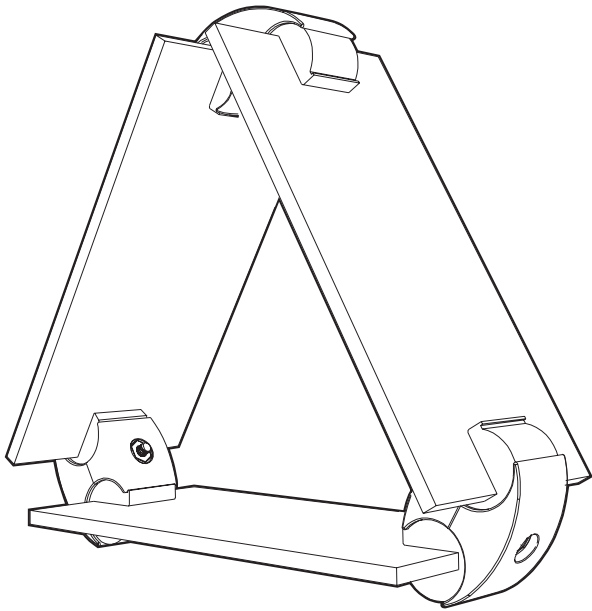
7



8

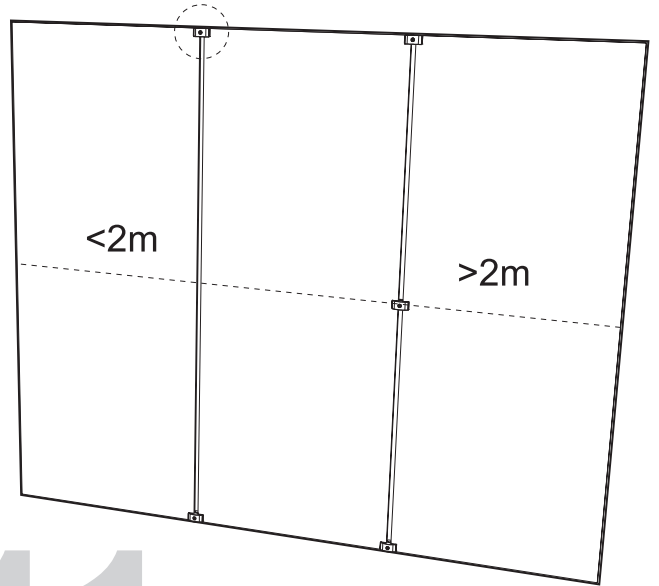
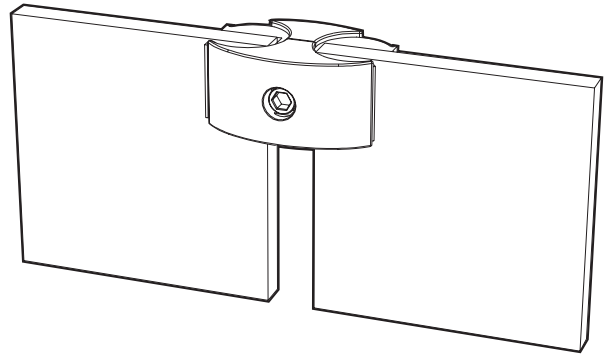


3 x 60°

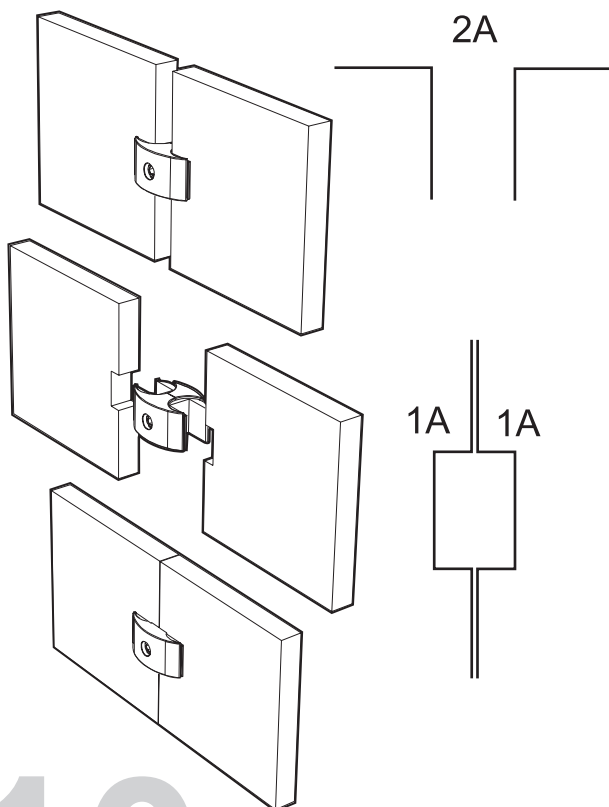


6-10 mm only

9



11



10

