

PRODUCTS - Couplings

## Three-inch SELF SEALING INDUSTRIAL COUPLINGS



### GENERAL INFORMATION

Avery-Hardoll self sealing couplings are designed for use wherever it is necessary to connect and disconnect hoses and pipelines under pressure, quickly and without spillage. They are designed primarily for use in the petroleum and chemical industries where reliability and safety are of prime concern.

### OPERATION

Operation is single action, using a straightforward turning motion to connect the couplings and open a flow path.

An initial push and turn action on the hose unit causes engagement with the tank unit, thus locking and sealing the two units together. Further rotation causes the internal valves to open, thereby allowing flow with minimum pressure drop.

The connection and valve mechanism is interlocked such that the valve can only be opened by fully engaging and sealing the hose unit on its matching tank unit.

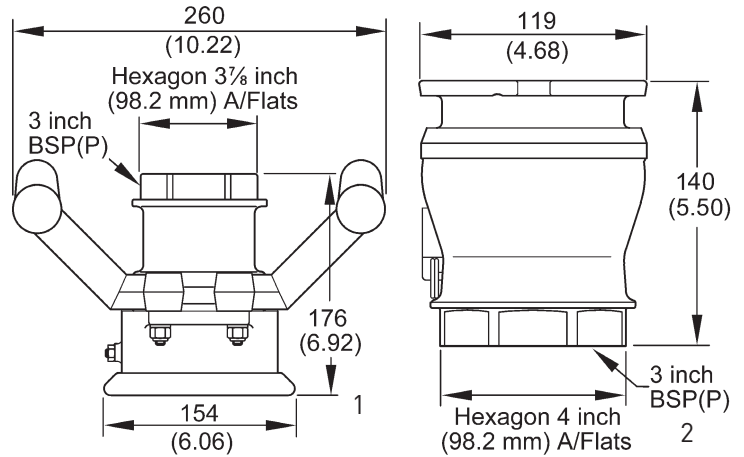
On disconnection, the valves fully close before the couplings separate and spillage is therefore negligible.

- LOW COST
- FAIL SAFE TANK UNITS
- UNRIVALLED QUALITY FOR TROUBLE FREE OPERATION AND LONG LIFE
- NEGLIGIBLE SPILLAGE
- ENVIRONMENTALLY FRIENDLY
- HOSE UNIT FITTED WITH SWIVEL AS STANDARD
- EASY SINGLE ACTION COUPLING AND VALVE OPENING
- MATERIAL: GUNMETAL
- NITRILE OR FLUOROCARBON SEALS
- 21 SELECTIVITY OPTIONS

**1 - HOSE UNIT**

**CCMY 6353N\***

Materials Gunmetal, St/Steel  
 Weight 6.5 kg (14.5 lb)  
 Max. working pressure 175 psi (12bar)  
 Max. coupling pressure 60 psi (4 bar)  
 Test pressure 265 psi (18 bar)



**2 - TANK UNIT**

**THREADED VERSION**

**CCMY 6351N\***

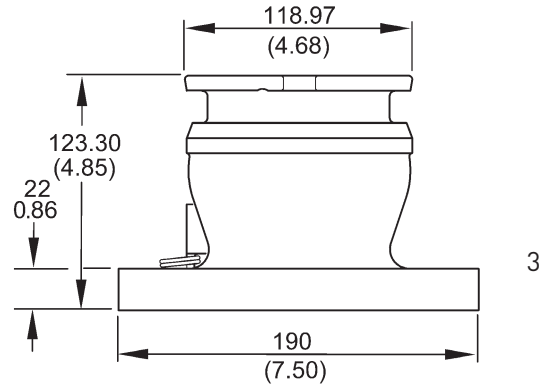
Materials Gunmetal, St/Steel, structural plastic  
 Weight 3.15 kg (6.9 lb)  
 Max. working pressure 175 psi (12 bar)  
 Test pressure 265 psi (18 bar)

**3 - TANK UNIT**

**FLANGED VERSION**

**CCMY 6350N\***

Materials Gunmetal, St/Steel, structural plastic  
 Weight 6.5 kg (14.5 lb)  
 Max. working pressure 175 psi (12 bar)  
 Test pressure 265 psi (18 bar)



Flanged tank units are normally supplied undrilled, but can be drilled to customer requirements on request

Dimensions in millimeters (inches)

**4 - DUST CAP FOR HOSE UNIT**

**CCMY 4006\***

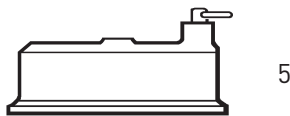
Material Aluminium alloy  
 Weight 0.25 kg (0.56 lb)



**5 - LOCKING CAP FOR TANK UNIT**

**CCMY 4050**

Material Polypropylene  
 Weight 0.17 kg (0.37 lb)

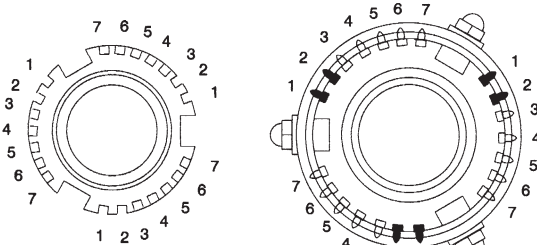


\* Seals Nitrile as standard for fluorocarbon change suffix to V

**SELECTIVITY**

To avoid product contamination caused by connecting a hose unit to the wrong tank unit, selective versions of the hose and tank units are available.

<b>Selective Position Letter</b>	A	B	C	D	E	F	G
<b>Pin &amp; Slot Position</b>	1&2	1&3	1&4	1&5	1&6	1&7	2&3
<b>Selective Position Letter</b>	H	J	K	L	M	N	P
<b>Pin &amp; Slot Position</b>	2&4	2&5	2&6	2&7	3&4	3&5	3&6
<b>Selective Position Letter</b>	Q	R	S	T	U	V	W
<b>Pin &amp; Slot Position</b>	3&7	4&5	4&6	4&7	5&6	5&7	6&7



**Intrico Products Ltd**

Unit 1, Harrison's Farm Estate  
 Inglewhite Road  
 Goosnargh  
 Preston  
 PR3 2ED  
 Tel : 01772 785295  
 Fax : 01772 783784  
[sales@intrico.com](mailto:sales@intrico.com)

