

RACHET LEVER HOISTS

W O R - L I F T S



Ratchet lever hoists

W O R - L I F T S



Ratchet lever hoists for lifting, pulling, lashing and tensioning

Yale Hand Lever Hoists are versatile, portable units for pulling, tensioning, lashing and lifting of loads. The operation of the Hand Lever hoists is easy and safe.

Light weight, robust malleable cast iron model, free chaining, slip clutch, stamped steel- or aluminium housing, low operating effort - in the Yale product range you will always find an optimal hoist for every type of operation.

The brake system of all Yale hand lever hoists are based on the original Yale patent of the British engineer Thomas A. Weston dating back to 1875. All parts of the load brake are made of high quality materials and are protected against corrosion. The engineering principle behind the **load brake** finds its rightful place in all hand lever hoists world wide. Yale exclusively uses **asbestos free friction discs** in all their hoists. The surface protected **zinc plated alloy steel chains** fulfil all the requirements of national and international standards and regulations. In accordance with safety regulations, the **chain stops** are designed to withstand double the rated capacity to ensure the chain does not unintentionally run free.

The **drop forged load and suspension hooks** that yield under overload instead of breaking, are made of high tensile steel and are standard for all Yale hoists. The hooks are fitted with robust safety latches and rotate 360°. Every Yale ratchet lever hoist is factory tested with overload.

The units are supplied with a **test certificate** showing the serial-No. Operating instructions which contain an EC declaration of conformity are also attached to each unit.

Ratchet
lever hoists

Pul-Lift
C/D85



Pul-Lift model D85
with link chain

Capacities 750 - 10.000 kg

Pul-Lift model C85
with roller chain

Capacities 750 - 10.000 kg

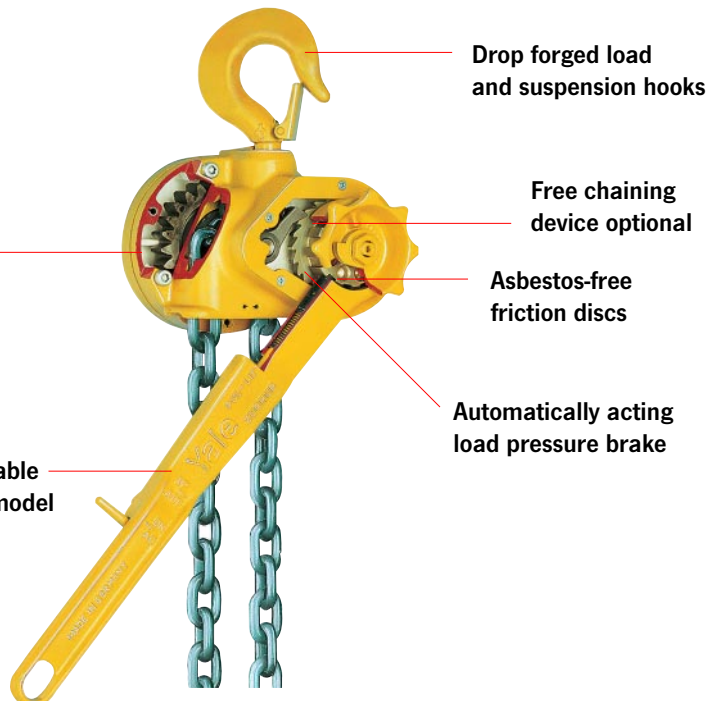
Enclosed housing with housing cover, hand lever and lower block made from **high tensile white malleable cast iron** for an overall rugged construction. The **graphite cast iron** load sheave for the link chain has precision machined chain pockets for accurate fit and durability of the load chain. The **roller chain sprocket** is made from heat treated **chromium-molybdenum steel** with precision machined teeth to ensure smooth chain movement.

Optional

- All models can be optionally equipped with an overload prevention device in the form of a **slip clutch**, which is factory preset to approx. $25\% \pm 15\%$ overload.
- **Free chaining** device to quickly attach the load or to pull the chain through the hoist in both directions.

Link chain model:
Graphite cast iron load sheave
Roller chain model:
Chromium-molybdenum steel
chain sprocket

Hand lever made of malleable
cast iron or tubular steel model
with rubber grip



Drop forged load
and suspension hooks

Free chaining
device optional

Asbestos-free
friction discs

Automatically acting
load pressure brake

Ratchet lever hoists

Pul-Lift D95

Pul-Lift model D95 with link chain

Capacities 1.500 - 3.000 kg

The D 95 has taken its technical features from the proven D85 but excels in its **cast malleable iron design, low tare** weight and an extremely small measurement between suspension and load hooks. It has an automatically acting load pressure brake which works on the self-locking principal. For example, when used to secure loads, an unintentional loosening of the brake is prevented when the load vibrates. The **standard free chaining device** to quickly attach the load or to pull the chain through the hoist in both directions. The body and hand lever are made from impact resistant malleable cast iron. The short ergonomic hand lever is fitted with a rubber grip.

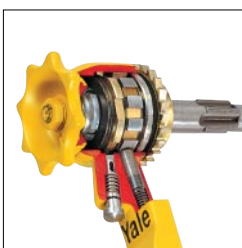
Optional

- All models can be optionally equipped with an overload prevention device in the form of a **slip clutch** which is factory preset to approx. 25 % ±15 % overload.
- Hoist with sling chain (see pictures)

Application

The virtually unlimited application possibilities in Industry, work shops, mining, construction and shipyards, confirm the reliability and stability in every area of application.

The ideal unit for moving or positioning of heavy machinery or for securing of heavy transport loads. Simplifies the laying of pipes in ducts or ditches.



**Overload prevention
device optional**



**Pul-Lift D95
with sling chain**

Load brake

All the load brakes used in Yale lever hoists are based on the Yale patents by the engineer Thomas A. Weston from 1875.

The engineering principle behind the load brake is still used, world wide, in every hand hoist.

In the load brake principle the axial brake pressure is generated by the load itself and is, therefore, proportional to the size of the load.

The load is held secure in any position.

To lower the load the difference between the brake moment and load moment has to be overcome.

Ratchet
lever hoists
UNO



Ratchet lever hoist model UNO

Capacities 750 - 6.000 kg

A hand lever hoist with a robust stamped steel construction and compact design. It comes equipped with a hard chromium plated hand wheel and a sturdy bottom block with encapsulated bolt connections to prevent shearing and loosening of nuts. The Chain guide is integrated into the housing to eliminate fouling and jamming of the chain on the load sheave. Due to optimized gearing a minimum effort is required to operate the short hand lever. **The standard free chaining device** serves to quickly attach the load or to pull the chain through the hoist in both directions. The low tare weight and a smooth free-chaining device make the UNO a handy, universal tool.

Free chaining

Yale lever hoists are either fitted with the free chaining feature as standard or it can be retrofitted in the field. With the free chaining feature the load chain can be pulled freely through the hoist (in both lifting and lowering directions). The advantage is that with high lifting heights the load chain can be quickly pulled through the hoist to achieve the required chain length and pretension.

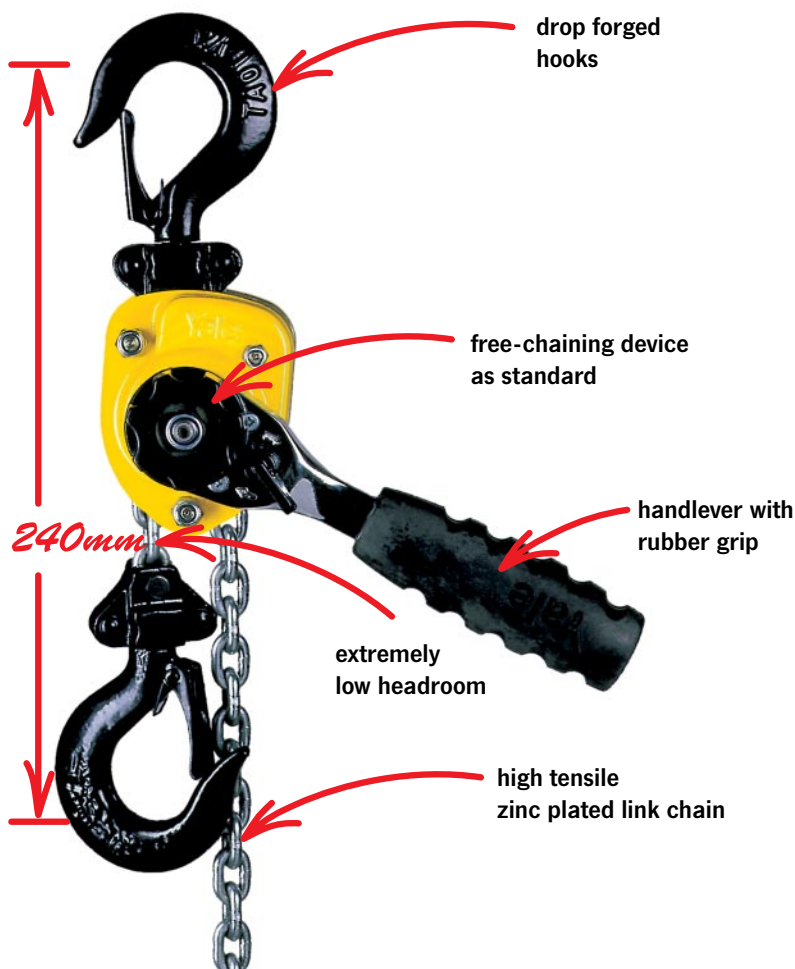
All free chaining devices fitted to Yale hoists operate automatically, this means that when a load is applied or exceeds a defined value the screw and disc type brake operates and holds the load safely.

Ratchet lever hoists *Yalehandy*

Ratchet lever hoist *Yalehandy*

Capacities 250 - 500 kg

This hoist is the smallest, lightest Yale ratchet lever hoist for professional applications. Due to the multitude of application possibilities this new ratchet lever hoist is an indispensable tool e.g. in industry, trade and service. The extreme low tare weight and the very compact design make the hoist easy to use even in confined working conditions. The enclosed design protects the internal parts against the ingress of dust, foreign particles and corrosion. The short and ergonomic hand lever makes the hoist easy to operate. The standard free chaining device serves to quickly attach the load or to pull the chain through the hoist in both directions. The drop forged suspension and load hooks that yield under overload instead of breaking are made from non-ageing, high tensile alloy steel. The hooks are fitted with robust safety latches and are free to rotate 360°. All parts of the disc type load brake are manufactured from high quality materials and are corrosion protected.



Smallest hook dimensions:
240 mm (250 kg capacity)

Ratchet lever hoists

AL



Yale hoists and trolleys are not designed for passenger elevation applications and must not be used for this purpose!

Ratchet lever hoist model AL

Capacities 750 - 3.000 kg

The **enclosed housing**, hand lever and hand wheel are made from **high quality aluminium**. Due to precise needle bearings the hoist can be operated with little effort. Its low tare weight is an advantage, when the hoist has to be frequently carried over longer distances to different assignments. This universal ratchet hoist should not be missing in any service truck. The **chain guide is cast into the body** to ensure faultless chain movement.

The **standard free chaining device** serves to quickly attach the load or to pull the chain through the hoist in both directions.



Modell AL

Pulling application

Ratchet lever hoists

PT

Ratchet lever hoist model PT

Capacities 800 - 6.300 kg

The new generation of ratchet lever hoists model PT features improved techniques and ergonomical styling. The advantages of the predecessor range have been maintained and further optimized.

The proven stamped steel housing provides extremely low weight without limiting the reliability and sturdiness of the unit.

The **free chaining device is standard**, low handle pull in spite of increased capacities as well as small hook-to-hook dimensions are further outstanding features.

Optional

- All models can be optionally equipped with an overload prevention device in the form of a **slip clutch** which is factory preset to approx. 25 % \pm 15 % overload.



Slip clutch

Slip clutches fitted to Yale hoists reliably ensure that hoists are not subject to overloads during operation. When a pre-defined/adjustable overload value is reached the component parts of the slip clutch, in accordance with engineering principle of the slip clutch, slide against each other and prevent a further overloading of the hoist.

When the slip clutch operates the load is still held secure by the independent load brake. Thus, the slip clutch provides double safety: firstly it protects the operator from applying a mis-judged prohibited overload and secondly it increases the working life of the hoist.

Ratchet lever hoists

Technical data



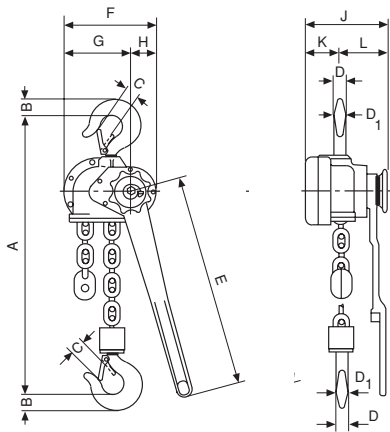
Model	Capacity kg	Number of chain falls	Chain dimensions d x p in mm	Lift with one full lever turn mm	Handle pull at WLL daN	Weight with std. lift kg
Pul-Lift D85	750	1	6 x 18,5	111	38	8,2
	1500	1	9 x 27	45	31	16,3
	3000	1	11 x 31	33	40	19,6
	6000	2	11 x 31	17	42	32,9
	10000	3	11 x 31	11	37	60
Pul-Lift C85	750	1	5/8" x 3/8"	115	38	8,7
	1500	1	1" x 1/2"	45	31	17
	3000	1	1 1/4" x 5/8"	36	40	22,2
	6000	2	1 1/4" x 5/8"	18	44	38
	10000	3	1 1/4" x 5/8"	12	44	67
Pul-Lift D95	1500	1	6,2 x 18,5	35	27	9,9
	3000	1	9 x 27,2	38	49	16,5
AL	750	1	6,3 x 19,1	30	16	6,4
	1000	1	6,3 x 19,1	30	22	6,6
	1500	1	7,1 x 21,2	16	18	10
	3000	1	10 x 30,2	14	28	18
PT	800	1	5,6 x 17,1	24	26	5,5
	1600	1	7,1 x 21,2	23	30	9,6
	3200	1	9 x 27,2	16	38	16
	6300	2	9 x 27,2	8	39	31
UNO	750	1	6 x 18	20	14	7
	1500	1	8 x 24	22	22	11
	3000	1	10 x 30	17	34	21
	6000	2	10 x 30	9	35	30
Yalehandy	250	1	4 x 12	80	25	2,2
	500	1	4 x 12	40	25	2,8

Dimensions ratchet lever hoists

Model	Capacity in kg	A _{min.} mm	B mm	C mm	D mm	D ₁ mm	E mm	F mm	G mm	H mm	J mm	K mm	L mm
Pul-Lift D85	750	322	21	27	15	17	443	112	56	56	142	39	103
	1500	389	27	30	20	23	443	189	134	55	171	72	99
	3000	403	35	34	25	25	570	197	142	55	179	76	103
	6000	532	48	46	40	40	570	197	142	55	218	76	142
	10000	805	61	54	40	45	570	305	163	142	218	76	142
Pul-Lift C85	750	322	21	27	15	17	443	112	56	56	142	39	103
	1500	389	27	30	20	23	443	189	134	55	171	72	99
	3000	403	35	34	25	25	570	197	142	55	179	76	103
	6000	560	48	46	40	40	570	197	142	55	218	76	142
	10000	785	61	54	40	45	570	305	163	142	218	76	142
Pul-Lift D95	1500	314	23	23	18	18	315	156	112	44	141	49,5	92
	3000	376	30	25	22	22	443	189	134	55	177	72	105
AL	750	315	20	22	14	-	300	106	47	59	154	49	105
	1000	325	23	23	16	-	300	109	47	62	154	49	105
	1500	380	27	26	20	-	300	138	60	78	177	74	103
	3000	455	36	33	24	-	400	168	75	93	212	94	118
PT	800	290	21	24	13	-	235	120	38	82	142	52	90
	1600	330	27	31	20	-	370	138	41	97	163	65	98
	3200	430	36	35	24	-	370	177	53	124	185	83	102
	6300	580	53	46	43	-	3750	259	85	174	185	83	102
UNO	750	295	21	24	13	-	235	111	33	78	142	55	87
	1500	380	29	32	20	-	350	140	49	91	166	66	100
	3000	420	37	35	24	-	350	174	60	114	184	79	105
	6000	570	54	44	43	-	350	239	77	162	184	79	105
Yalehandy	250	240	20	21	14	-	160	72	33	39	98	21	77
	500	282	17	24	12	-	160	104	38	66	116	36	80

Pul-Lift C/D85

750 - 10.000 kg

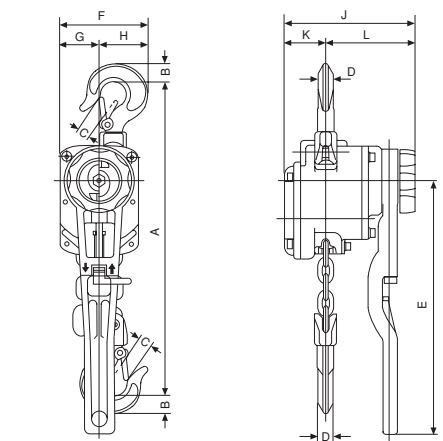


Pul-Lift D95

1.500 - 3.000 kg

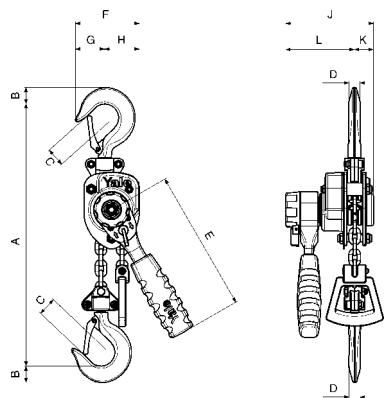
Model AL

750 - 3.000 kg



Model Yalehandy

250 - 500 kg

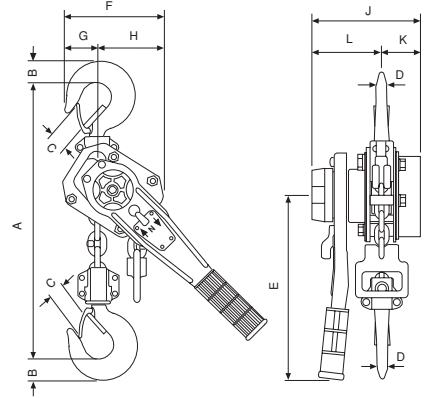


Model PT

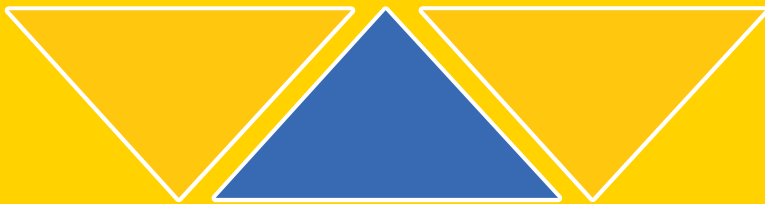
800 - 6.300 kg

Model UNO

750 - 6.000 kg



WOR-LIFTS



RACHET LEVER HOISTS

WORLIFTS Limited

Guild House,
Sandy Lane,
Wildmoor,
Bromsgrove,
Worcestershire,
B61 0QU

Tel: 0121 460 1113

Fax: 0121 460 1116

Email: sales@worlifts.co.uk

Web: www.worlifts.co.uk