

Superb Containment, Excellent Capacity



Monmouth+

Circulaire

Filtration Fume Cabinets

Easy to install and reliable offering full COSHH compliance

COSHH COMPLIANCE

The new [Circulaire](#) range of filtration fume cupboards incorporates the latest in containment technology to provide full compliance with COSHH regulations.

The [Circulaire](#) cabinets are available in 5 different widths, 650mm, 800mm, 900mm, 1100mm & 1400mm. A bespoke design service is also available should you like something a little out of the ordinary.

UN-COMPROMISED SAFETY

Monmouth Scientific believe that you should not compromise on safety. That is why every bench mounted cabinet is supplied with 115mm deep carbon filter beds – the deepest of its type. All cabinets have a low-airflow warning system with visual and audible alarms, whilst the [Circulaire](#) 800, 1100 & 1400 are also fitted with a full electronic filter and airflow monitoring system, complete with continuously displayed digital airspeed readout and constant automatic airflow adjustment for optimal containment and filter life.

All cabinets can be fitted with a wide range of filters to suit any applications thus fully meeting the requirements of international standards. See the rear cover for typical filter applications or contact Monmouth Scientific to discuss your particular application.

Five good reasons for choosing a Monmouth [Circulaire](#) filtration fume cabinet...

- No installation costs – Simply place the cabinet on a bench (or optional stand) and plug in to a standard electrical supply.
- Energy efficient operation – Recirculatory airflow eliminates the need for laboratory make-up air and integration into ventilation system controls.
- Continuous airflow monitoring – Integral electronic airflow and carbon filter monitoring with automatic face velocity control for increased operator safety fitted as standard.
- Environmental benefits – Activated Carbon filters retain / neutralise pollutants eliminating harmful discharge to the environment.
- Adaptable – Cabinet may be easily re-positioned or filters changed to suit new requirements.

Monmouth
Scientific

Monmouth Scientific

Units 5 & 6, Kilside, East Quay,
Bridgwater, Somerset TA6 4DB, United Kingdom
Tel: +44 (0)1278 458090 Fax: +44 (0)1278 458091
Email: info@monmouthscientific.co.uk

Monmouth Scientific is a trading division of Monmouth Surgical Ltd.



Compact Bench Mounted Circulaire 650



With optional spillage tray

The Circulaire 650 footprint is only 600mm x 650mm so takes up minimal bench space, but has the carbon filter capacity of a much larger unit. The supplied 14kg deep bed carbon filter will be matched specifically to your application to ensure the best possible containment.

In addition to the compact footprint, the Circulaire 650 also boasts a large working aperture, integral low airflow alarm, low operating noise level, cable entry port and a unique carbon filter sealing mechanism with safe pre-filter change system.

The folding acrylic sash allows excellent access to the work area and overhead lighting ensures the work is well lit and easy to work in. Finally, the Circulaire 650 is manufactured from Epoxy coated Zintec steel to ensure years of uninterrupted service.

Monmouth Scientific

Monmouth Scientific

Units 5 & 6, Kilnside, East Quay,
Bridgwater, Somerset TA6 4DB, United Kingdom
Tel: +44 (0)1278 458090 Fax: +44 (0)1278 458091
Email: info@monmouthscientific.co.uk

Monmouth Scientific is a trading division of Monmouth Surgical Ltd.



Compact Bench Mounted Circulaire 650



Low airflow alarm



Control/alarm panel



Cable entry port

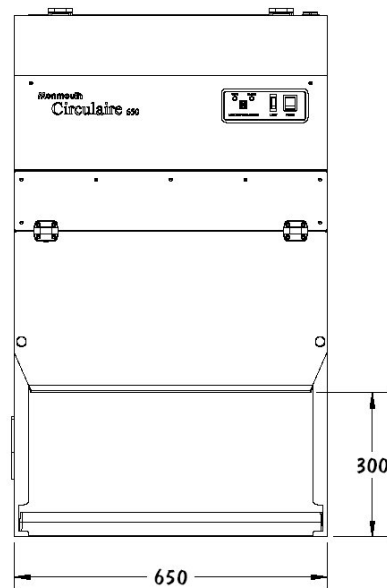
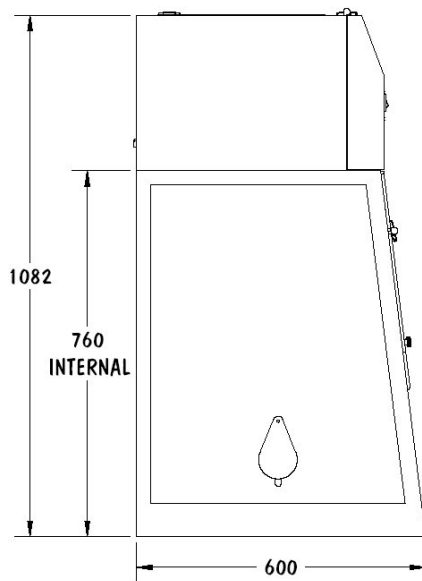


Optional deep lipped spillage tray

- Compact Design – just 650mm x 600mm
- 14kg Activated Carbon Filter (matched to your application)
- Integral low airflow alarm with audible and visual alarm
- Overhead lighting for maximum illumination of the working area
- Optional deep lipped spillage tray
- Side mounted cable entry port to allow safe use of electrical apparatus
- Safe and easy pre-filter change system
- Steel construction for years of uninterrupted use

Specifications:

External Dimensions mm (WxDxH):	650 x 600 x 1082
Internal Dimensions mm (WxDxH):	600 x 600 x 760
Working Aperture mm (WxH):	590 x 300
Face Velocity:	>0.5 m/sec
Airflow:	320 m ³ /hr
Filter Weight	14kg
Pre-Filter:	Filtrete
Internal Lighting:	18 watt fluorescent
Fan:	Centrifugal, Brushless & Sparkless
Noise Level:	<55 db(A)
Electrical Supply:	240v – 400watts
Construction:	Head: Epoxy Powder Coated Zintec Steel Base: Epoxy Powder Coated Zintec Steel frame with 6mm clear acrylic front and side panels
Options:	GRP Spillage Tray Base Stand



Monmouth Scientific

Monmouth Scientific

Units 5 & 6, Kilside, East Quay,
Bridgwater, Somerset TA6 4DB, United Kingdom
Tel: +44 (0)1278 458090 Fax: +44 (0)1278 458091
Email: info@monmouthscientific.co.uk

Monmouth Scientific is a trading division of Monmouth Surgical Ltd.



NEW Bench Mounted Circulaire 900



The Circulaire 900 is a brand new addition to the popular Circulaire range of ductless fume cupboards.

The Circulaire 900 is 900mm wide and 600mm deep, making it ideal to sit directly on your worksurface. At 18kg, the filter is one of the largest in its class and will be matched specifically to your application to ensure the best possible containment. Filter types available are listed on the back page.

Like its smaller brother, the Circulaire 900 also boasts a large working aperture, integral low airflow alarm, low operating noise level, cable entry port and a unique carbon filter sealing mechanism with safe pre-filter change system.

The folding acrylic sash allows excellent access to the work area and overhead lighting ensures the work is well lit and easy to work in. Finally, the Circulaire 900 is manufactured from Epoxy coated Zintec steel to ensure years of uninterrupted service.

Monmouth Scientific

Monmouth Scientific

Units 5 & 6, Kilside, East Quay,
Bridgwater, Somerset TA6 4DB, United Kingdom
Tel: +44 (0)1278 458090 Fax: +44 (0)1278 458091
Email: info@monmouthscientific.co.uk

Monmouth Scientific is a trading division of Monmouth Surgical Ltd.



NEW Bench Mounted Circulaire 900



Low airflow alarm



Control/alarm panel



Cable entry port

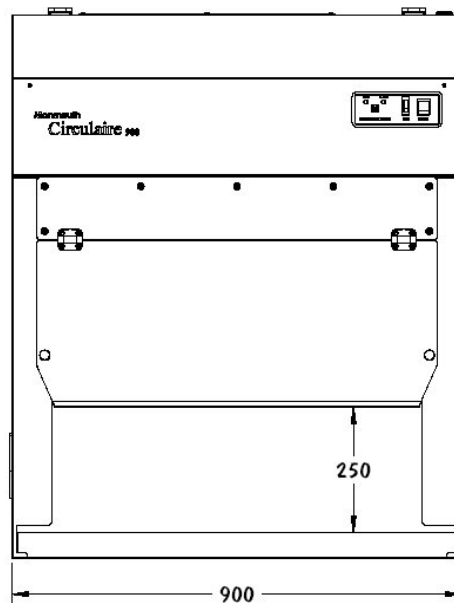
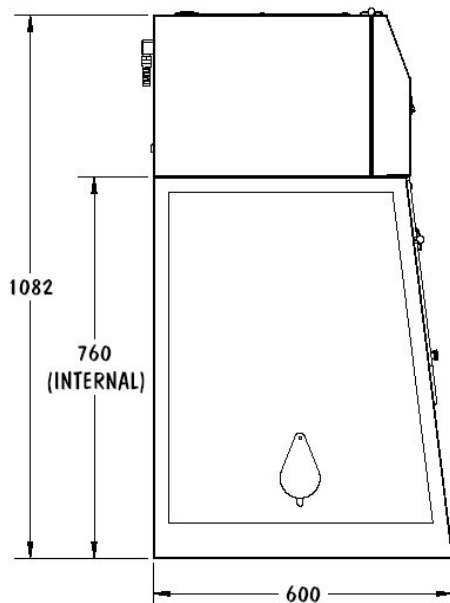


Optional deep lipped spillage tray

- Excellent Size – 900mm x 600mm fits work areas perfectly
- 18kg Activated Carbon or HEPA Filter (matched to your application)
- Integral low airflow alarm with audible and visual alarm
- Overhead lighting for maximum illumination of the working area
- Optional deep lipped spillage tray - polypropylene
- Side mounted cable entry port to allow safe use of electrical apparatus
- Safe and easy pre-filter change system
- Steel construction for years of uninterrupted use

Specifications:

External Dimensions mm (WxDxH):	900 x 600 x 1082
Internal Dimensions mm (WxDxH):	850 x 600 x 760
Working Aperture mm (WxH):	790 x 250
Face Velocity:	>0.5 m/sec
Airflow:	400 m ³ /hr
Filter Weight	18kg
Pre-Filter:	Filtrete
Internal Lighting:	18 watt fluorescent
Fan:	Centrifugal, Brushless & Sparkless
Noise Level:	<55 db(A)
Electrical Supply:	240v – 500watts
Construction:	Head: Epoxy Powder Coated Zintec Steel Base: Epoxy Powder Coated Zintec Steel frame with 6mm clear acrylic front and side panels
Options:	Polypropylene Spillage Tray Base Stand



Monmouth Scientific

Monmouth Scientific

Units 5 & 6, Kilside, East Quay,
Bridgwater, Somerset TA6 4DB, United Kingdom
Tel: +44 (0)1278 458090 Fax: +44 (0)1278 458091
Email: info@monmouthscientific.co.uk

Monmouth Scientific is a trading division of Monmouth Surgical Ltd.



Bench Mounted & Electronically Monitored Circulaire 800, 1100 & 1400

EXCELLENT CONTAINMENT

The Circulaire 800, 1100 & 1400 offer perhaps the best containment characteristics in a non-ducted fume cabinet available.

They are supplied **as standard** with a full electronic filter and airflow monitoring system, complete with audible and visual alarms, continuously displayed digital airspeed readout and constant automatic airflow adjustment for optimal containment and filter life.

The folding acrylic sash allows excellent access to the work area with a sash height of 300mm and overhead lighting ensures the work area is well lit and easy to work in. The worksurface surface is a removable, one piece, crevice free moulded GRP tray with high lipped sides ensuring any spillage is contained within the cabinet.

The cabinet itself, like all other Circulaire products is manufactured from Epoxy coated Zintec steel to ensure years of uninterrupted service.



Monmouth Scientific

Monmouth Scientific

Units 5 & 6, Kilnside, East Quay,
Bridgwater, Somerset TA6 4DB, United Kingdom
Tel: +44 (0)1278 458090 Fax: +44 (0)1278 458091
Email: info@monmouthscientific.co.uk

Monmouth Scientific is a trading division of Monmouth Surgical Ltd.



Bench Mounted & Electronically Monitored Circulaire 800, 1100 & 1400

MAXIMUM OPERATOR SAFETY

- Complies fully with international standards including BS7989:2001 for filtration fume cupboards
- Filter type display
- Automatic control and monitoring of face velocity and carbon filter efficiency
- Large capacity carbon filters with unique constant pressure sealing system – assures years of uninterrupted service
- Safe change pre-filters
- Deep chemically resistant and removable spillage tray for easy cleaning
- High aperture height for ease of manipulation
- Sloping front with acrylic glazing for maximum visibility
- Excellent illumination of the working area
- Acoustic damping to ensure near silent running
- Variable speed fan for sensitive applications such as powder weighing
- Robust construction with corrosion protection
- 4 part folding 6mm acrylic sash with friction hinges
- Tube and electric cable access port as standard
- Optional HEPA or carbon exhaust safety filters
- Aerodynamic profile of all aperture edges
- All electronic circuits isolated from air stream
- Optional gas, water and drainage services fitted to cabinet
- Range of under cupboards, base stands and trolley stands available



Easy change main Filters



Safe change pre-filters

Monmouth Scientific

Monmouth Scientific

Units 5 & 6, Kilnside, East Quay,
Bridgwater, Somerset TA6 4DB, United Kingdom
Tel: +44 (0)1278 458090 Fax: +44 (0)1278 458091
Email: info@monmouthscientific.co.uk

Monmouth Scientific is a trading division of Monmouth Surgical Ltd.



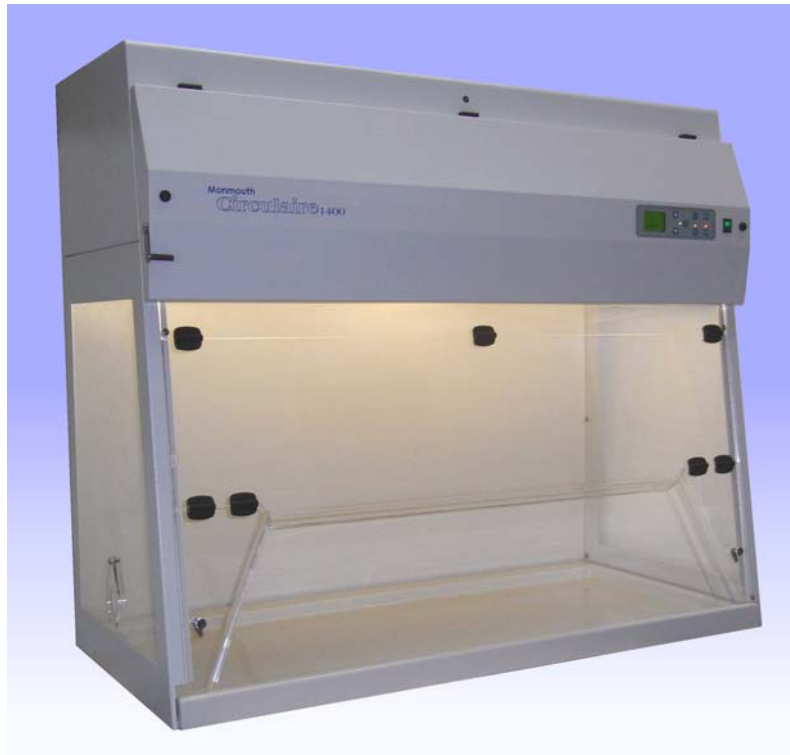
Bench Mounted & Electronically Monitored Circulaire 800, 1100 & 1400



Circulaire 800



Circulaire 1100



Circulaire 1400

**Monmouth
Scientific**

Monmouth Scientific

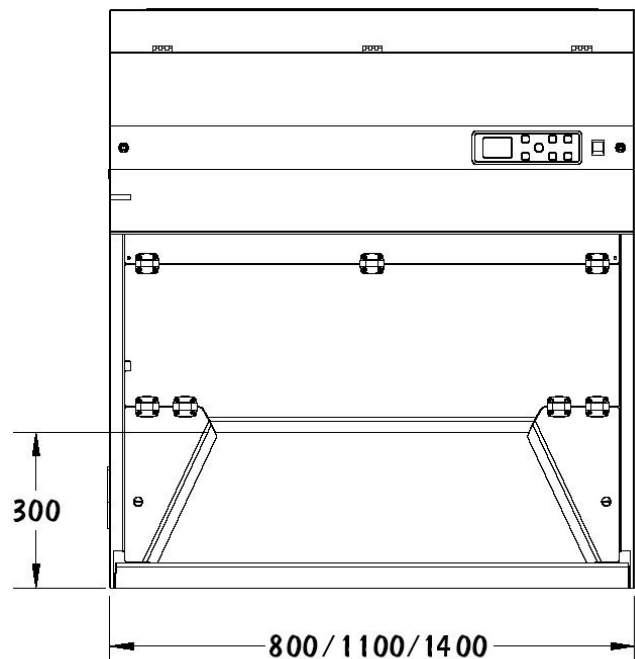
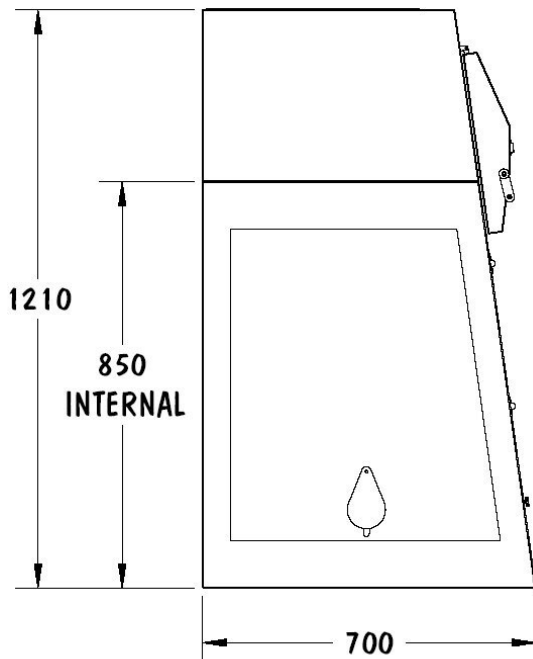
Units 5 & 6, Kilside, East Quay,
Bridgwater, Somerset TA6 4DB, United Kingdom
Tel: +44 (0)1278 458090 Fax: +44 (0)1278 458091
Email: info@monmouthscientific.co.uk
Monmouth Scientific is a trading division of Monmouth Surgical Ltd.



Bench Mounted & Electronically Monitored Circulaire 800, 1100 & 1400

SPECIFICATION

	Monmouth Circulaire 800	Monmouth Circulaire 1100	Monmouth Circulaire 1400
External Dimensions	800mm Wide 700mm Deep 1210mm High	1100mm Wide 700mm Deep 1210mm High	1400mm Wide 700mm Deep 1210mm High
Internal Dimensions	785mmWide 680mmDeep 840mm High	1085mmWide 680mmDeep 840mm High	1385mmWide 680mmDeep 840mm High
Aperture Size	520mm Wide (average) x 300mm High	820mm Wide (average) x 300mm High	1120mm Wide (average) x 300mm High
Carbon Filter Type	As appropriate for application	As appropriate for application	As appropriate for application
Carbon Filter Size	16Kg	14Kg x 2	16Kg x 2
Pre-Filter Type	'Filtrete' Electrostatic Media	'Filtrete' Electrostatic Media	'Filtrete' Electrostatic Media
Pre-Filter Size	500mm x 550mm	500mm X 400mm x 2	500mm X 550mm x 2
Airflow Monitoring	Electronic	Electronic	Electronic
Electrical Requirements	230V/50Hz AC - 400W Or 110V/60Hz AC - 800W	230V/50Hz AC - 750W Or 110V/60Hz AC - 1500W	230V/50Hz AC - 850W Or 110V/60Hz AC - 1700W
Construction	Epoxy Powder coated zintec steel with clear acrylic glazing and GRP chemical resistant worksurface tray	Epoxy Powder coated zintec steel with clear acrylic glazing and GRP chemical resistant worksurface tray	Epoxy Powder coated zintec steel with clear acrylic glazing and GRP chemical resistant worksurface tray
Noise level	<57 dB(A)	<57 dB(A)	<57 dB(A)
Lighting	>900 Lux	>900 Lux	>900 Lux
Weight	100Kg	125Kg	150Kg



Monmouth Scientific

Monmouth Scientific

Units 5 & 6, Kilside, East Quay,
Bridgwater, Somerset TA6 4DB, United Kingdom
Tel: +44 (0)1278 458090 Fax: +44 (0)1278 458091
Email: info@monmouthscientific.co.uk

Monmouth Scientific is a trading division of Monmouth Surgical Ltd.



Circulaire Range

OPTIONS:

As every laboratory's needs differ slightly, the Monmouth Scientific cabinets are available with a variety of different options:

- **HEPA exhaust safety filter:** An additional High Efficiency Particulate Air filter (99.997% @ 0.3 micron) provides containment of particulate (Not Circulaire 650)
- **Carbon exhaust safety filter:** An additional activated carbon filter provides a further level of operator safety when the main filter reaches the end of its life (Not Circulaire 650)
- **Drip cup:** A moulded drip cup in the worksurface
- **Gas and water supplies** fitted integral to the cabinet
- **Stands and vented under cupboards** with service controls fitted to fascia panel
- **Clear back panel**
- **Alternative worksurface materials** e.g. stainless steel, polypropylene

BESPOKE DESIGN OR CUSTOM MODIFICATIONS:

Monmouth understand that not everyone's needs can be addressed with a standard solution and therefore offer a custom modifications or bespoke design service for systems when necessary. Our team of engineers can advise on the best solution for a containment problem either through the modification of an existing model or the design of a totally bespoke system. Some examples of custom designs are shown below:



For further information, please contact our Sales Team on 01278 458090 or visit our website www.monmouthscientific.co.uk for more designs.

Monmouth Scientific

Monmouth Scientific

Units 5 & 6, Kilside, East Quay,
Bridgwater, Somerset TA6 4DB, United Kingdom
Tel: +44 (0)1278 458090 Fax: +44 (0)1278 458091
Email: info@monmouthscientific.co.uk
Monmouth Scientific is a trading division of Monmouth Surgical Ltd.



Circulaire Range

FILTERS & CABINET COMPATIBILITY

Carbon Filter Types		Circulaire Cabinet – Compatible filter weights (Kg)							
		650		800		1100		1400	
		Main Filter	Outlet Filter	Main Filter	Outlet Filter	Main Filter	Outlet Filter	Main Filter	Outlet Filter
AC	General organic compounds (i.e. elemental iodine, solvents, odours etc)	14	N/A	16	6	2x14	2x5	2x16	2x6
ACID	Acidic compounds (and general organics)	14	N/A	16	6	2x14	2x5	2x16	2x6
ACR	Alkali compounds (and general organics)	14	N/A	16	6	2x14	2x5	2x16	2x6
AMM	Ammonia & Amine containing compounds (and general organics)	14	N/A	16	6	2x14	2x5	2x16	2x6
CYN	Cyanide compounds (and general organics)	14	N/A	16	6	2x14	2x5	2x16	2x6
ETHER	Ether compounds (and general organics)	14	N/A	16	6	2x14	2x5	2x16	2x6
FORM	Aldehydes (and general organics)	14	N/A	16	6	2x14	2x5	2x16	2x6
SUL	Sulphur compounds (and general organics)	14	N/A	16	6	2x14	2x5	2x16	2x6
MCH	Special blend of up to 4 of the above carbon types	14	N/A	16	6	2x14	2x5	2x16	2x6
SCHOOLS	Tri-Layered Filter for schools (and general organics)	14	N/A	16	6	2x14	2x5	2x16	2x6
HEPA Filters									
HEPA	99.997% efficient @ 0.3 µm – for particulate containment	YES	N/A	YES	YES	YES	YES	YES	YES

TYPICAL MONMOUTH INSTALLATIONS



**Monmouth
Scientific**

Monmouth Scientific

Units 5 & 6, Kilside, East Quay,
Bridgwater, Somerset TA6 4DB, United Kingdom
Tel: +44 (0)1278 458090 Fax: +44 (0)1278 458091
Email: info@monmouthscientific.co.uk
Monmouth Scientific is a trading division of Monmouth Surgical Ltd.

