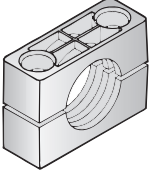
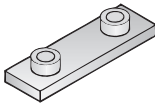
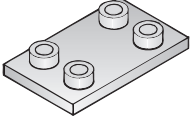
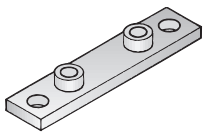
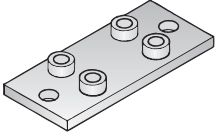
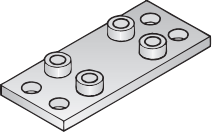
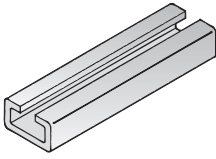
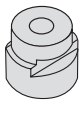
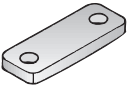


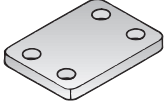

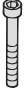

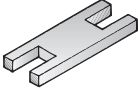

acc. to DIN 3015, Part 2

Material Code							
Materials and designs of clamp bodies XXX							
Polypropylene profiled inside with tension clearance - PP Polypropylene smooth inside without tension clearance - PPH (up to Gr. 6S) Polyamide profiled inside with tension clearance - PA Polyamide smooth inside without tension clearance - PAH (up to Gr. 6S) Santoprene profiled inside with tension clearance - SA (up to Gr. 6S) Santoprene smooth inside without tension clearance - SAH (up to Gr. 6S) Aluminum profiled inside with tension clearance - AL Other thermoplastics and O.D. on request.							
Surface finishing (see also technical appendix)					-	Group 3 S - 7 S: DIN 50942 Fe/Znph r 10	Group 3 S - 7 S: DIN 50942 Fe/Znph r 10
STAUFF Group	DIN Group	Outside diameter Tube or Hose		Nominal bore Pipe	Clamp Body (2 halves) (xxx - see material code)	Weld Plate for Single Clamps SPAL	Weld Plate for Double Clamps SPAS
mm	inch	inch					
3 S	1	6			3006 xxx	SPAL 3 S	SPAS 3 S
		6,4	1/4		3006,4 xxx		
		8			3008 xxx		
		9,5	3/8		3009,5 xxx		
		10		1/8	3010 xxx		
		12			3012 xxx		
		12,7	1/2		3012,7 xxx		
		13,5		1/4	3013,5 xxx		
		14			3014 xxx		
		15			3015 xxx		
16	5/8		3016 xxx				
17,2		3/8	3017,2 xxx				
18			3018 xxx				
19	3/4		4019 xxx				
20			4020 xxx				
21,3		1/2	4021,3 xxx				
22	7/8		4022 xxx				
25			4025 xxx				
26,9		3/4	4026,9 xxx				
28			4028 xxx				
30			4030 xxx				
30			5030 xxx				
32	1 1/4		5032 xxx				
33,7		1	5033,7 xxx				
35			5035 xxx				
38	1 1/2		5038 xxx				
40			5040 xxx				
42		1 1/4	5042 xxx				
38	1 1/2		6038 xxx				
42		1 1/4	6042 xxx				
44,5	1 3/4		6044,5 xxx				
48,3		1 1/2	6048,3 xxx				
50,8	2		6050,8 xxx				
55			6055 xxx				
57	2 1/4		6057 xxx				
60,3		2	6060,3 xxx				
63,5	2 1/2		6063,5 xxx				
65			6065 xxx				
70			6070 xxx				
65			7065 xxx				
70			7070 xxx				
73	2 7/8	2 1/2 (except DIN 2448)	7073 xxx				
75			7075 xxx				
76,1	3	2 1/2 (DIN 2448 only)	7076,1 xxx				
80			7080 xxx				
82,5	3 1/4		7082,5 xxx				
88,9		3	7088,9 xxx				
88,9		3	8088,9 xxx				
100			8100 xxx				
102		3 1/2	8102 xxx				
108	4 1/4		8108 xxx				
114		4	8114 xxx				
127	5		8127 xxx				
133	5 1/4		8133 xxx				
133	5 1/4		9133 xxx				
140		5	9140 xxx				
152	6		9152 xxx				
159	6 1/4		9159 xxx				
165	6 1/2		9165 xxx				
168		6	9168 xxx				
168		6	10168 xxx				
177,8	7		10177,8 xxx				
193,7	7 5/8		10193,7 xxx				
216	8 1/2		10216 xxx				
219		8	10219 xxx				
219		8	11219 xxx				
273		10	11273 xxx				
324		12	11324 xxx				
356		14	12356 xxx				
406		16	12406 xxx				

acc. to **DIN 3015, Part 2**

Size ▼		 Group 3S – 9S	 Group 10S – 12S	 up to Group 6S only	 up to Group 6S only	
	Group 3 S - 7 S: DIN 50942 Fe/Znph r 10	Group 3 S - 7 S: DIN 50942 Fe/Znph r 10	–	–	DIN 50961 Fe/Zn 8 C	Group 3 S - 7 S: DIN 50942 Fe/Znph r 10
	Elongated Weld Plate for Single Clamps SPAL/DÜB	Elongated Weld Plate for Double Clamps SPAS/DÜB	Elongated Weld Plate for Double Clamps SPAS/DÜB	Mounting Rail STSV	Mounting Rail Nut GMV	Cover Plate for Single Clamps DPAL
3006 3006,4 3008 3009,5 3010 3012 3012,7 3013,5 3014 3015 3016 3017,2 3018	SPAL/DÜB 3 S	SPAS/DÜB 3 S				DPAL 3 S
4019 4020 4021,3 4022 4025 4026,9 4028 4030	SPAL/DÜB 4 S	SPAS/DÜB 4 S		STSV (available in 1 and 2 m lengths)	GMV 10	DPAL 4 S
5030 5032 5033,7 5035 5038 5040 5042	SPAL/DÜB 5 S	SPAS/DÜB 5 S				DPAL 5 S
6038 6042 6044,5 6048,3 6050,8 6055 6057 6060,3 6063,5 6065 6070	SPAL/DÜB 6 S	SPAS/DÜB 6 S			GMV 12	DPAL 6 S
7065 7070 7073 7075 7076,1 7080 7082,5 7088,9	SPAL/DÜB 7 S	SPAS/DÜB 7 S				DPAL 7 S
8088,9 8100 8102 8108 8114 8127 8133	SPAL/DÜB 8 S	SPAS/DÜB 8 S				DPAL 8 S
9133 9140 9152 9159 9165 9168	SPAL/DÜB 9 S	SPAS/DÜB 9 S				DPAL 9 S
10168 10177,8 10193,7 10216 10219	SPAL/DÜB 10 S		SPAS/DÜB 10 S			DPAL 10 S
11219 11273 11324	SPAL/DÜB 11 S		SPAS/DÜB 11 S			DPAL 11 S
12356 12406	SPAL/DÜB 12 S		SPAS/DÜB 12 S			DPAL 12 S

acc. to **DIN 3015, Part 2**

Size ▼							
			Group 3S - 6S	Group 3S - 10S	Group 3S - 10S	Only for Hexagon Head Bolts AS DIN 931/933	
	Group 3 S - 7 S: DIN 50942 Fe/Znph r 10	-	-	DIN 50942 Fe/Znph r 10	Group 3 S - 7 S: DIN 50942 Fe/Znph r 10	DIN 50961 Fe/Zn 8 C	
	Cover Plate for Double Clamps DPAS	Hexagon Head Bolt AS DIN 931/933	Socket Cap Screw IS DIN 912	Stacking Bolt AF	Safety Locking Plate SIP	Safety Washer SI DIN 93	
3006 3006,4 3008 3009,5 3010 3012 3012,7 3013,5 3014 3015 3016 3017,2 3018	DPAS 3 S	AS 3 S (M10 x 45)	IS 3 S (M10 x 30)	AF 3 S	SIP 3 S	SI 10,5	
4019 4020 4021,3 4022 4025 4026,9 4028 4030	DPAS 4 S	AS 4 S (M10 x 60)	IS 4 S (M10 x 40)	AF 4 S	SIP 4 S		
5030 5032 5033,7 5035 5038 5040 5042	DPAS 5 S	AS 5 S (M10 x 70)	IS 5 S (M10 x 50)	AF 5 S	SIP 5 S		
6038 6042 6044,5 6048,3 6050,8 6055 6057 6060,3 6063,5 6065 6070	DPAS 6 S	AS 6 S (M12 x 100)	IS 6 S (M12 x 80)	AF 6 S	SIP 6 S		SI 13
7065 7070 7073 7075 7076,1 7080 7082,5 7088,9	DPAS 7 S	AS 7 S (M16 x 130)		AF 7 S	SIP 7 S		SI 17
8088,9 8100 8102 8108 8114 8127 8133	DPAS 8 S	AS 8 S (M20 x 190)		AF 8 S	SIP 8 S		SI 21
9133 9140 9152 9159 9165 9168	DPAS 9 S	AS 9 S (M24 x 220)		AF 9 S	SIP 9 S		SI 25
10168 10177,8 10193,7 10216 10219	DPAS 10 S	AS 10 S (M30 x 300)		AF 10 S	SIP 10 S		SI 31
11219 11273 11324	DPAS 11 S	AS 11 S (M30 x 450)					
12356 12406	DPAS 12 S	AS 12 S (M30 x 560)					

acc. to DIN 3015, Part 2

Material Code																
Materials and designs of clamp bodies Polypropylene profiled inside with tension clearance - PP Polypropylene smooth inside without tension clearance - PPH (up to Gr. 6 S) Polyamide profiled inside with tension clearance - PA Polyamide smooth inside without tension clearance - PAH (up to Gr. 6 S) Santoprene profiled inside with tension clearance - SA (up to Gr. 6 S) Santoprene smooth inside without tension clearance - SAH (up to Gr. 6 S) Aluminum profiled inside with tension clearance - AL Other thermoplastics and O.D. on request.			XXX													
Surface finishing (see also technical appendix)															Group 3 S - 7 S: DIN 50942 Fe/Znph r 10	
STAUFF Group	DIN Group	Pipe-O.D. Ø D1 [mm]	Clamp Body (2 halves)						Weld Plate for Single Clamps							
			L1		L2	Inside surface		Width	SPAL							
			PP/PA	AL		H	S		H	L1	L2	B	S	H	G	ØD1
3 S	1	6														
		6,4														
		8														
		9,5														
		10														
		12														
		12,7	55	56	33	32	0,6 min.	30,5	30,5	74	33	30	8	8	M10	18
		13,5														
		14														
		15														
16																
17,2																
18																
4 S	2	19														
		20														
		21,3														
		22	70	70	45	48	0,6 min.	46,5	30,5	86	45	30	8	8	M10	18
		25														
		26,9														
		28														
30																
5 S	3	30														
		32														
		33,7														
		35	85	85	60	60	0,6 min.	58	30,5	100	60	30	8	8	M10	18
		38														
		40														
		42														
6 S	4	38														
		42														
		44,5														
		48,3														
		50,8														
		55	115	120	90	89	2 min.	87	45	140	90	45	10	8	M12	20
		57														
		60,3														
7 S	5	63,5														
		65														
		70														
		75														
		76,1	152	150	122	120	2 min.		60	180	122	60	10	12	M16	24
		80														
8 S	6	82,5														
		88,9														
		88,9														
		100														
		102														
		108	206	208	168	167	2 min.		80	226	168	80	15	18	M20	30
		114														
9 S	7	127														
		133														
		133														
		140														
		152	251	255	205	200	3 min.		91	270	205	90	15	21	M24	35
10 S	8	159														
		165														
		168														
		168														
		177,8														
11 S	9	193,7	336	326	265	270	3 min.		120	340	265	120	25	21	M30	45
		216														
		219														
		219														
12 S	10	273	470	470	395	410	8 min.		162	520	395	160	30	38	M30	50
		324														
		356	630	630	534	530	20 min.		182	680	534	180	30	38	M30	50
		406 (max. 425)														

acc. to **DIN 3015, Part 2**

Size ▼	up to Group 6S only				up to Group 6S only						Group 3 S - 7 S: DIN 50942 Fe/Znph r10					Group 3 S - 7 S: DIN 50942 Fe/Znph r10					-		Group 3S - 6S		Group 3S - 10S					Group 3S - 10S					øD
	Mounting Rail STSV				Mounting Rail Nut GMV						Cover Plate for Single Clamps DPAL					Cover Plate for Double Clamps DPAS					Hexagon Head Bolt AS DIN 931/933		Socket Cap Screw IS DIN 912		Stacking Bolt AF					Safety Locking Plate SIP					Safety Washer SI DIN 93
	B1	B2	H	S	øD1	øD2	H1	H2	H3	G	L1	L2	B	S	øD	L1	L2	B1	B2	S	øD	G x L	G x L	G	L1	L2	L3	SW	L1	L2	B1	B2	S	øD	
6,4 8 9,5 10 12 12,7 13,5 14 15 16 17,2 18											55 33 30 8 11					56 33 60 30 8 11					M10 x 45		M10 x 30		M10 49 25 15 min. 15					56 13 30 15 8					10,5
19 20 21,3 22 25 26,9 28 30	40 14 22 5				17,8 24 21,5 15,5 9 M10						70 45 30 8 11					70 45 60 30 8 11					M10 x 60		M10 x 40		M10 65 40 15 min. 15					70 26 30 15 8					10,5
30 32 33,7 35 38 40 42											85 60 30 8 11					84 60 60 30 8 11					M10 x 70		M10 x 50		M10 77 51 15 min. 15					85 40 30 15 8					10,5
38 42 44,5 48,3 50,8 55 57 60,3 63,5 65 70					19,8 24 23 15 9 M12						115 90 45 10 14					116 90 90 46 10 14					M12 x 100		M12 x 80		M12 110 82 18 min. 17					116 69 45 17 10					13
65 70 75 76,1 80 82,5 88,9											152 122 60 10 19					153 122 120 61 10 19					M16 x 130				M16 144 110 24 min. 21					153 97 60 22 10					17
88,9 100 102 108 114 127 133											206 168 80 15 22					206 168 160 81 15 22					M20 x 190				M20 200 150 30 min. 27					206 130 80 28 15					21
133 140 152 159 165 168											251 205 90 15 26					251 205 180 91 15 26					M24 x 220				M24 240 180 50 min. 30					251 166 90 31 15					25
168 177,8 193,7 216 219											320 265 120 25 35					320 265 240 120 25 35					M30 x 300				M30 331 256 62 min. 46					317 205 120 49 25					31
219 273 324											470 395 160 30 35					470 395 321 166 30 35					M30 x 450														31
356 406 (max. 425)											630 534 180 30 35					630 534 361 186 30 35					M30 x 560														31

acc. to DIN 3015, Part 2

STAUFF Group	DIN Group	Outside diameter Tube or Hose		Nominal bore Pipe inch	Clamp Body (2 halves) (xxx – see material code)
		mm	inch		
3 S	1	6			3006 xxx
		6,4	1/4		3006,4 xxx
		8			3008 xxx
		9,5	3/8		3009,5 xxx
		10		1/8	3010 xxx
		12			3012 xxx
		12,7	1/2		3012,7 xxx
		13,5		1/4	3013,5 xxx
		14			3014 xxx
		15			3015 xxx
		16	5/8		3016 xxx
		17,2		3/8	3017,2 xxx
4 S	2	18			3018 xxx
		19	3/4		4019 xxx
		20			4020 xxx
		21,3		1/2	4021,3 xxx
		22	7/8		4022 xxx
		25			4025 xxx
		26,9		3/4	4026,9 xxx
28			4028 xxx		
30			4030 xxx		
5 S	3	30			5030 xxx
		32	1 1/4		5032 xxx
		33,7		1	5033,7 xxx
		35			5035 xxx
		38	1 1/2		5038 xxx
		40			5040 xxx
6 S	4	42		1 1/4	5042 xxx
		38	1 1/2		6038 xxx
		42		1 1/4	6042 xxx
		44,5	1 3/4		6044,5 xxx
		48,3		1 1/2	6048,3 xxx
		50,8	2		6050,8 xxx
		55			6055 xxx
		57	2 1/4		6057 xxx
		60,3		2	6060,3 xxx
		63,5	2 1/2		6063,5 xxx
7 S	5	65			6065 xxx
		70			6070 xxx
		73	2 7/8	2 1/2 (except DIN 2448)	7073 xxx
		75			7075 xxx
		76,1	3	2 1/2 (DIN 2448 only)	7076,1 xxx
		80			7080 xxx
		82,5	3 1/4		7082,5 xxx
8 S	6	88,9		3	7088,9 xxx
		88,9		3	8088,9 xxx
		100			8100 xxx
		102		3 1/2	8102 xxx
		108	4 1/4		8108 xxx
		114		4	8114 xxx
9 S	7	127	5		8127 xxx
		133	5 1/4		8133 xxx
		133	5 1/4		9133 xxx
		140		5	9140 xxx
		152	6		9152 xxx
		159	6 1/4		9159 xxx
10 S	8	165	6 1/2		9165 xxx
		168		6	9168 xxx
		168		6	10168 xxx
		177,8	7		10177,8 xxx
11 S	9	193,7	7 5/8		10193,7 xxx
		216	8 1/2		10216 xxx
		219		8	10219 xxx
12 S	10	219		8	11219 xxx
		273		10	11273 xxx
		324		12	11324 xxx
		356		14	12356 xxx
		406		16	12406 xxx

Material Code

Materials and designs of clamps bodies **XXX**

Polypropylene, profiled inside, with tension clearance **- PP**

Polypropylene, smooth inside, without tension clearance **- PPH** (up to Gr. 6 S)

Polyamide, profiled inside, with tension clearance **- PA**

Polyamide, smooth inside, without tension clearance **- PAH** (up to Gr. 6 S)

Santoprene, profiled inside, with tension clearance **- SA** (up to Gr. 6 S)

Santoprene, smooth inside, without tension clearance **- SAH** (up to Gr. 6 S)

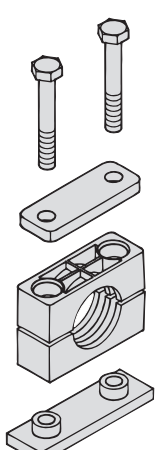
Aluminum, profiled inside, with tension clearance **- AL**

Other thermoplastics and O.D. on request.

Design of clamp bodies see technical appendix, page 48. Design and order codes for clamps with rubber insert RI see page 30 – Clamp Accessories –.

acc. to DIN 3015, Part 2

Order Code

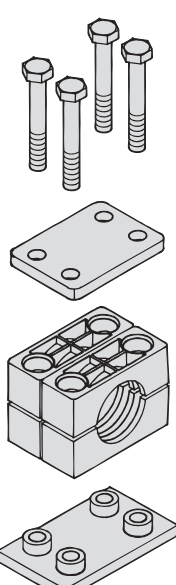


SPAL ** *,* xxx DPAL-AS**

↓
 Material and design of clamp body
 ↓
 Pipe-O.D.
 ↓
 STAUFF Group

Clamp consisting of:
 1 x Weld Plate for Single Clamp
 1 x Clamp Body (2 halves)
 1 x Cover Plate for Single Clamp
 2 x Hexagon Head Bolt
 DIN 931/933

Order Code

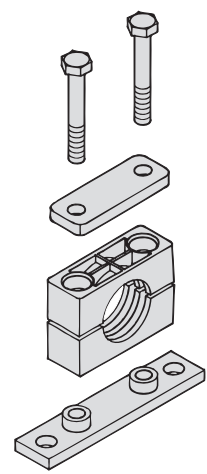


SPAS ** *,* xxx DPAS-AS**

↓
 Material and design of clamp body
 ↓
 Pipe-O.D.
 ↓
 STAUFF Group

Clamp consisting of:
 1 x Weld Plate for Double Clamp
 2 x Clamp Body (2 halves)
 1 x Cover Plate for Double Clamp
 4 x Hexagon Head Bolt
 DIN 931/933

Order Code

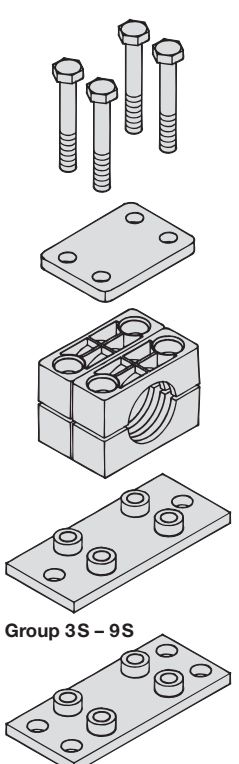


SPAL/DÜB ** *,* xxx DPAL-AS**

↓
 Material and design of clamp body
 ↓
 Pipe-O.D.
 ↓
 STAUFF Group

Clamp consisting of:
 1 x Elongated Weld Plate for Single Clamp
 1 x Clamp Body (2 halves)
 1 x Cover Plate for Single Clamp
 2 x Hexagon Head Bolt
 DIN 931/933

Order Code



SPAS/DÜB ** *,* xxx DPAS-AS**

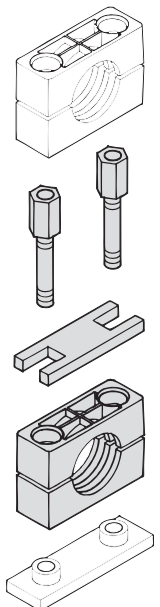
↓
 Material and design of clamp body
 ↓
 Pipe-O.D.
 ↓
 STAUFF Group

Clamp consisting of:
 1 x Elongated Weld Plate for Double Clamp
 2 x Clamp Body (2 halves)
 1 x Cover Plate for Double Clamp
 4 x Hexagon Head Bolt
 DIN 931/933

Group 3S - 9S

Group 10S - 12S

acc. to DIN 3015, Part 2



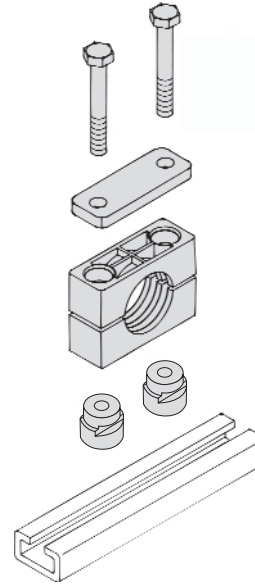
Order Code

**** ***,* xxx SIP-AF**

- ↓ Material and design of clamp body
- ↓ Pipe-O.D.
- STAUFF Group

Clamp consisting of:

- 1 x Clamp Body (2 halves)
- 1 x Safety Locking Plate
- 2 x Stacking Bolt



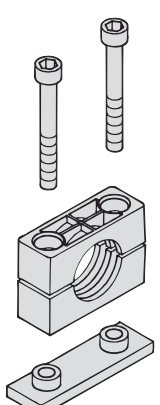
Order Code

GMV ** *,* xxx DPAL-AS**

- ↓ Material and design of clamp body
- ↓ Pipe-O.D.
- STAUFF Group

Clamp consisting of:

- 2 x Mounting Rail Nut
- 1 x Clamp Body (2 halves)
- 1 x Cover Plate for Single Clamp
- 2 x Hexagon Head Bolt DIN 931/933



Order Code

SPAL ** *,* xxx IS**

- ↓ Material and design of clamp body
- ↓ Pipe-O.D.
- STAUFF Group

Clamp consisting of:

- 1 x Weld Plate for Single Clamp
- 1 x Clamp Body (2 halves)
- 2 x Socket Cap Screw DIN 912

Information

In order to protect hexagon head bolts against unscrew caused by vibrations safety washers acc. to DIN 93 are recommended.

Items are supplied non-assembled.