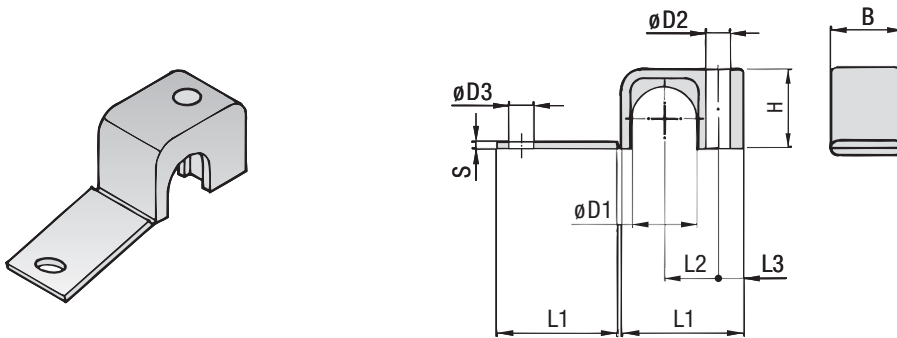


Applications: Pneumatics, Instrumentation and Automotive Technology, Machine Tool Industry, Lubrication, Mechanical Engineering

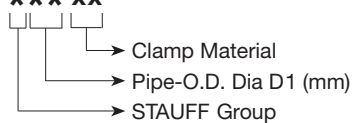
Type LB



STAUFF Group	Outside diameter Tube or Hose $\phi D1$ mm	Nominal bore Pipe inch	L1	L2	L3	B	H	S	$\phi D2$	$\phi D3$	Clamp Material XX	Colour
1	06		22	9	6,5	12	10,5	2	6,8	7	PP PA	black yellow
	06,4	1/4										
	08											
2	09,5	3/8	27	11	7	16	15	2	6,8	7	PP PA	black yellow
	10	1/8										
	12											
3	12,7	1/2	34	15	7	20	22,5	2	6,8	7	PP PA	black yellow
	13,5	1/4										
	14											
	15											
	16	5/8										
	17,2	3/8										
18												
4	19	3/4	42	19	7	20	30	2	6,8	7	PP PA	black yellow
	20											
	21,3	1/2										
	22											
	25	1										

Order Code

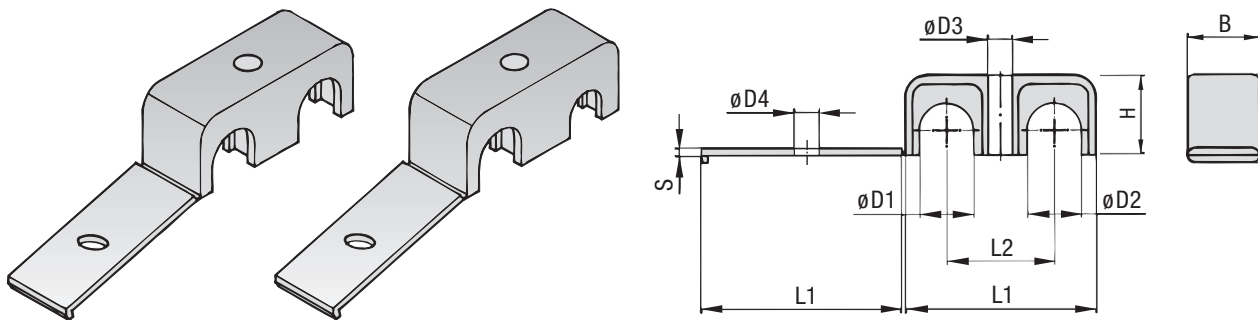
LB *** xx



Other thermoplastics and O.D. on request.

Applications: Pneumatics, Instrumentation and Automotive Technology, Machine Tool Industry, Lubrication, Mechanical Engineering

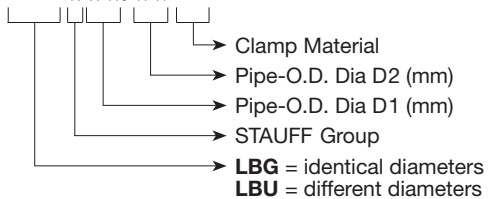
Type LBG (identical diameters) · **Type LBU** (different diameters)



STAUFF Group	Outside diameter Tube or Hose Ø D1/D2		Nominal bore Pipe inch	L1	L2	B	H	S	øD3	øD4	Material XX	Clamp Colour		
	mm	inch												
1	06/06			31	18	12	10,5	2	6,8	7	PP	black		
	06,4/06,4	1/4 / 1/4									PA	yellow		
	08/08													
2	09,5/09,5	3/8 / 3/8		39	22	16	14,5	2	6,8	7	PP	black		
	10/10		1/8 / 1/8								PA	yellow		
	12/12													
3	12,7/12,7	1/2 / 1/2		53	30	20	22,5	2	6,8	7	PP	black		
	13,5/13,5		1/4 / 1/4										PA	yellow
	14/14													
	15/15													
	16/16	5/8 / 5/8												
	17,2/17,2		3/8 / 3/8											
18/18														
4	19/19	3/4 / 3/4		70	38	20	30	2	6,8	7	PP	black		
	20/20												PA	yellow
	21,3/21,3		1/2 / 1/2											
	22/22													
	25/25	1 / 1												

Order Code

LBx ***/** xx



Type

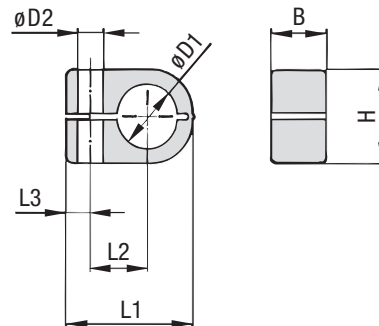
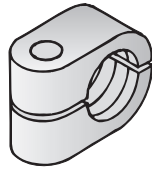
- LBG** Double pipe clamp for two identical diameters
- LBU** Double pipe clamp for two different diameters

Other thermoplastics and O.D. on request.

Applications:

Pneumatics, Instrumentation and Automotive Technology, Machine Tool Industry, Lubrication, Mechanical Engineering. Also suitable for cables and hoses.

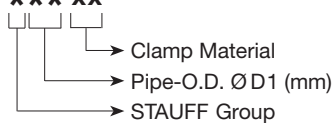
Type LN



STAUFF Group	Outside diameter Tube or Hose $\varnothing D1$		Nominal bore Pipe inch	L1	L2	L3	B	H	$\varnothing D2$	Clamp Material XX	Colour
	mm	inch									
1	06			22	9	7	14,5	13,5	6,8	PP PA	green black
	06,4	1/4									
	08										
2	08			27	11	7	14,5	18,5	6,8	PP PA	green black
	09,5	3/8									
	10		1/8								
	12										
3	12,7	1/2		33	15	7	14,5	23,5	6,8	PP PA	green black
	10		1/8								
	12										
	13,5		1/4								
	14										
	15										
4	16	5/8		40	19	7	14,5	30,5	6,8	PP PA	green black
	14										
	15										
	17,2		3/8								
	18										
	19	3/4									
	20										
	21,3		1/2								
22											

Order Code

LN *** xx

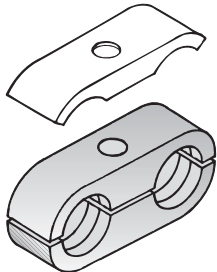


Other thermoplastics and O.D. on request.

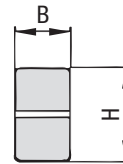
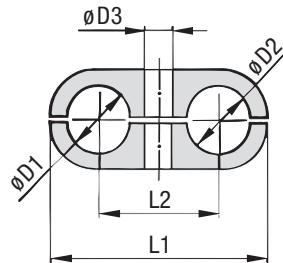
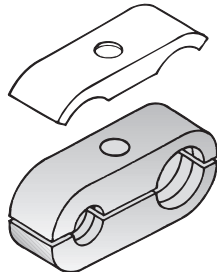
Applications:

Pneumatics, Instrumentation and Automotive Technology, Machine Tool Industry, Lubrication, Mechanical Engineering. Also suitable for cables and hoses.

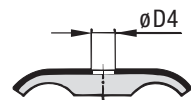
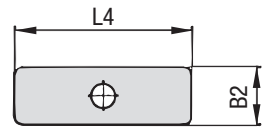
Type LNG (identical diameters)



Type LNU (different diameters)



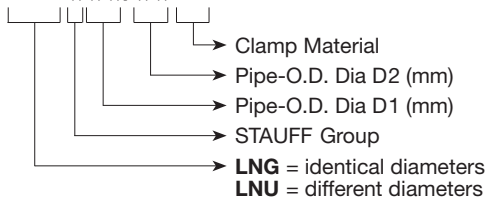
DPL



STAUFF Group	Outside diameter Tube or Hose ØD1/D2		Nominal bore Pipe inch	L1	L2	B	H	øD3	L4	B2	øD4	Clamp Material XX	Colour	Cover Plate
	mm	inch												
1	06/06			32	18	14,5	13,5	6,8	29	15,5	6,8	PP PA	green black	DPL 1
	06,4/06,4	1/4 / 1/4												
	08/08													
2	08/08			41	22	14,5	18,5	6,8	40	16,5	6,8	PP PA	green black	DPL 2
	09,5/09,5	3/8 / 3/8												
	10/10		1/8 / 1/8											
	12/12													
3	12,7/12,7	1/2 / 1/2		54	30	14,5	23,5	6,8	49,5	16	6,8	PP PA	green black	DPL 3
	10/10		1/8 / 1/8											
	12/12													
	13,5/13,5		1/4 / 1/4											
	14/14													
	15/15													
4	16/16	5/8 / 5/8		70	38	14,5	30,5	6,8	62,5	16	6,8	PP PA	green black	DPL 4
	14/14													
	15/15													
	17,2/17,2		3/8 / 3/8											
	18/18													
	19/19	3/4 / 3/4												
	20/20													
	21,3/21,3		1/2 / 1/2											
22/22														

Order Code

LNx ***/** xx



Type

- LNG** Double pipe clamp for two identical diameters
LNU Double pipe clamp for two different diameters (on request only)

Accessories

- Cover Plate DPL
 Steel zinc plated

Information

Max. tightening torque: 2,5 Nm

Other thermoplastics and O.D. on request.