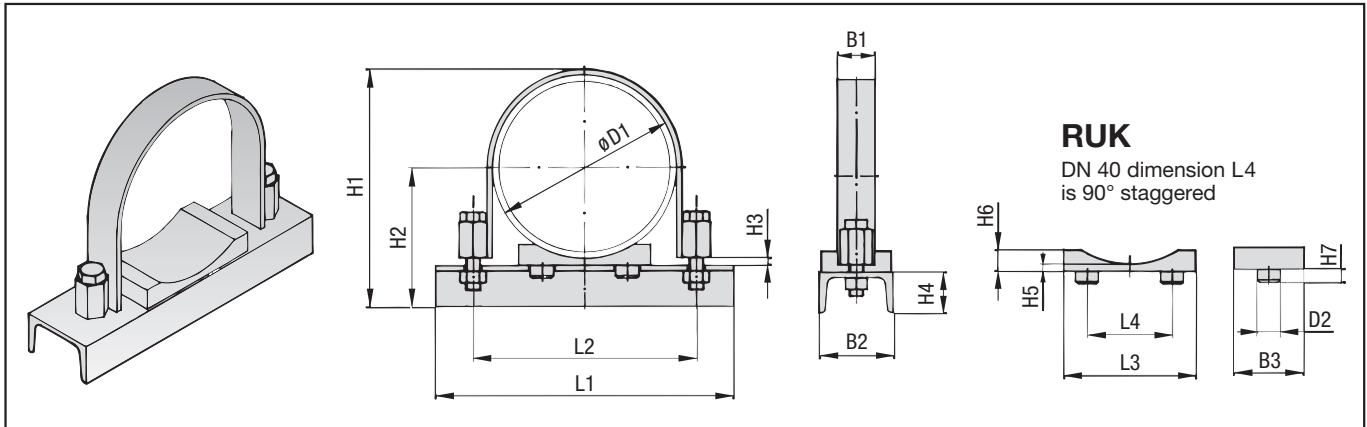


with plastic pipe saddle Type RUK and U-profile (to be used as fixed point clamps only!)

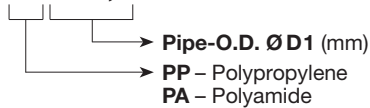


DN	Pipe-O.D. ØD1		Flat Steel U-Bolt Clamp FB						U-profile	Plastic Pipe Saddle RUK							Accessories									
	mm	Nominal Bore	L1	L2	H1	H2	H3	B1 Flat Steel	B2 x H4	L3	L4	B3	D2	H5	H6	H7	Hexagon Head Bolts									
40	48,3	1 1/2	100	76	95	67	5	20 x 3	DIN 1026 50 x 38	24	25	35	8	5	8	5	M10 x 40									
50	57	2	115	85	103	71,5				38	25	50	10		10	6										
	60,3			88	106	73,2				50	10	10	6													
65	76,1	2 1/2	132	104	122	81	8	40 x 4	DIN 1026 80 x 45	75	40	70	15	17	10	M12 x 55										
80	88,9	3	160	122	146	97,5																				
100	108	4	170	140	165	107																				
	114,3		180	147	171	110																				
125	133	5	210	165	190	119,5																				
	139,7			172	197	123																				
150	159	6	265	201	220	132,5																				
	168,3		275	211	230	137																				
175	193,7	8	305	236	255	150											40 x 6	80 x 45	140	90	75	25	8	26	10	M16 x 75
200	216	8	320	260	277	161																				
	219,1			261	280	162,5																				
250	267	10	380	325	328	186,5																				
	273		385	330	334	189,5																				
300	318	12	440	375	384	212	40 x 8	220	150	30	32	M20 x 80														
	323,9		450	382	390	215																				
350	355,6	14	480	420	421	236	12	60 x 8	DIN 1026 100 x 50	220	150	75	30	8	32	10	M24 x 100									
	400	368	16	550	430	434												242								
406,4		470			472	261																				
500	419	18	585	482	485	267,5																				
	457			520	523	286,5																				
500	508	20	630	570	574	312																				
	521		640	585	587	319																				

Order Code

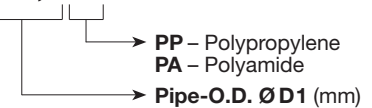
FB + RUK complete

FB + RUK/xx *,***



Plastic pipe saddle

RUK *,* xx**



Clamp consisting of: (for FB + RUK only)

- 1 x Flat steel U-bolt clamp
- 1 x RUK/xx
- 1 x U-profile c/w nuts
- 2 x Hexagon head bolts DIN 931/933

Material

Metal parts: St 37, no surface finishing
Other materials and surface finishings on request.

Information

Items are supplied non-assembled.