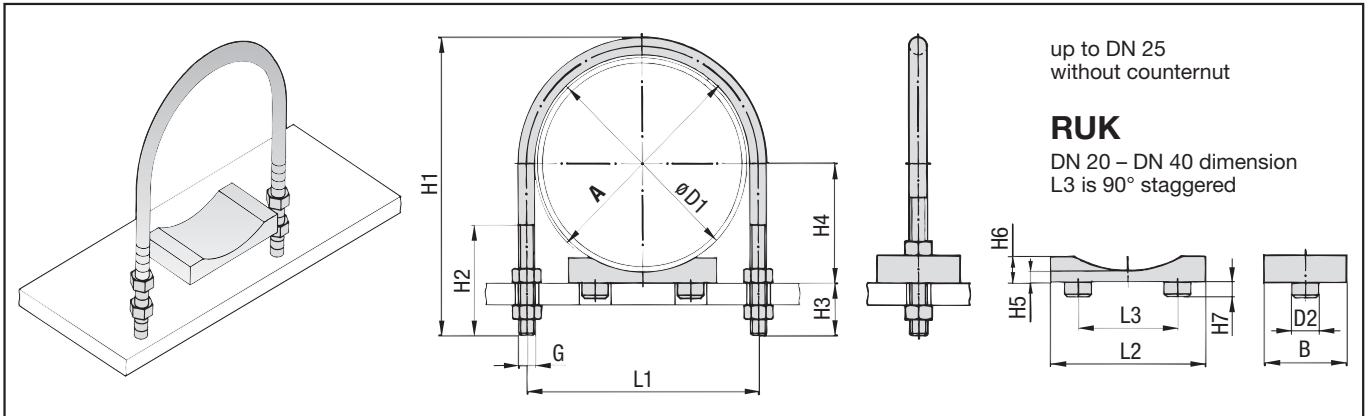


with plastic pipe saddle – short – RUK



DN	Pipe-O.D. ØD1		Round Steel U-Bolt RB							Plastic Pipe Saddle RUK						
	mm	Nominal Bore	A	L1	H1	H2	H3	H4	G	L2	L3	B	H5	H6	H7	D2
20	25	3/4	30	40	73,5	46	30	17,5	M10	24	25	35	5	8	5	8
	18,5															
25	30	1	38	48	81	50	30	20	M10	24	25	35	5	8	5	8
	22															
32	33,7	1 1/4	46	56	89	55	35	24	M10	24	25	35	5	8	5	8
	26,2															
40	42,4	1 1/2	52	62	100	55	35	27,2	M12	38	50	50	10	6	10	10
	29															
50	57	2	64	76	118	63	39	33,5	M12	38	50	50	10	6	10	10
	35,2															
65	76,1	2 1/2	82	94	135	77	41	43	M16	75	40	70	17	10	15	15
	52,5															
100	108	4	120	136	190	105	49	62	M16	75	40	70	17	10	15	15
	65															
125	114,3	5	148	164	217	105	49	74,5	M16	75	40	70	17	10	15	15
	78															
150	133	6	176	192	247	125	51	87,5	M20	140	90	75	8	10	25	25
	92															
175	168,3	10	202	218	273	125	59	105	M20	140	90	75	8	10	25	25
	116															
200	193,7	8	228	248	311	125	59	117,5	M20	140	90	75	8	10	25	25
	144,5															
250	216	12	282	302	364	125	62	141,5	M20	140	90	75	8	10	25	25
	144,5															
300	219,1	10	282	302	364	125	62	167	M20	140	90	75	8	10	25	25
	170															
350	267	12	332	352	418	145	70	186	M24	220	150	32	32	30	30	30
	192															
400	318	14	378	402	475	145	70	211	M24	220	150	32	32	30	30	30
	217,5															
500	323,9	14	378	402	475	145	70	236,5	M24	220	150	32	32	30	30	30
	262															
500	355,6	16	428	452	526	145	70	262	M24	220	150	32	32	30	30	30
	269															
500	368	20	530	554	627	145	70	269	M24	220	150	32	32	30	30	30
	269															

### Order Code

#### RB + RUK complete

RBxxxx RUK/xx \*\*\*,\*

- Pipe-O.D. ØD1 (mm)
- PP – Polypropylene
- PA – Polyamide
- Material
- St 37 no surface finishing
- St 37 Fe/Zn 8 C
- St 37 plastic coated
- Stainless steel 1.4571
- no further information required
- verz.
- rils.
- 1.4571

**Clamp consisting of:**  
 1 x Round Steel U-Bolt, 4 x Nuts DIN 934,  
 1 x Plastic Pipe Saddle RUK/xx

#### Round Steel U-Bolt

RBxxxx A \*\*\*, kompl

- Dimension A
- Material
- St 37 no surface finishing
- St 37 Fe/Zn 8 C
- St 37 plastic coated
- Stainless steel 1.4571 – 1.4571
- no further information required
- verz.
- rils.

**Clamp consisting of:**  
 1 x Round Steel U-Bolt  
 4 x Nuts DIN 934

#### Plastic Pipe Saddle

RUK \*\*\*,\* xx

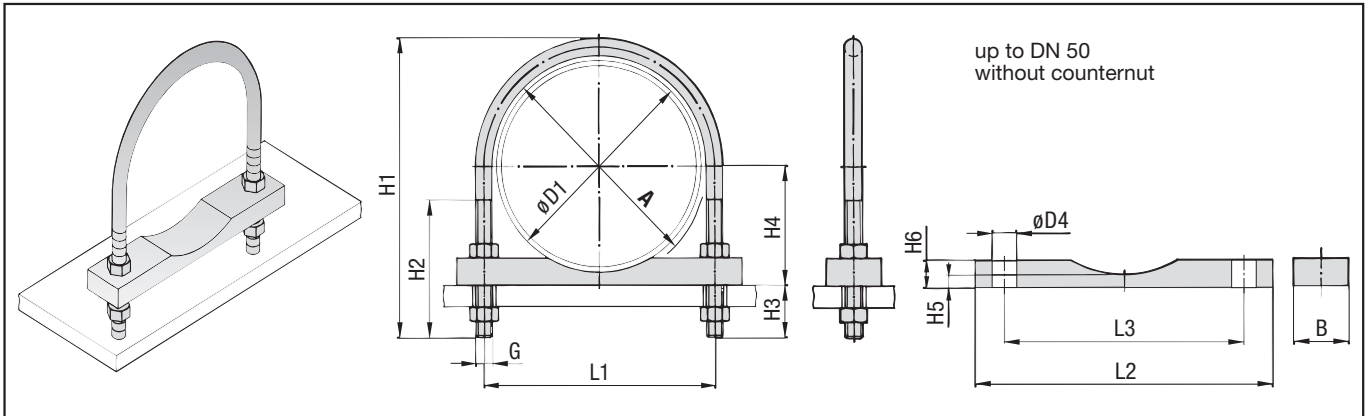
- PP – Polypropylene
- PA – Polyamide
- Pipe-O.D. ØD1 (mm)

#### Information

Items are supplied non-assembled.

Other materials and surface finishings on request.

with plastic pipe saddle – long – RUL



DN	Pipe-O.D. ØD1		Round Steel U-Bolt RB							Plastic Pipe Saddle RUL					
	mm	Nominal Bore	A	L1	H1	H2	H3	H4	G	L2	L3	B	H5	H6	øD4
20	25	3/4	30	40	73,5	46		17,5			75	40			
	26,9							18,5							
25	30	1	38	48	81		30	20	M10		80	48	30		12
	33,7							22							
32	38	1 1/4	46	56	89			24			90	56		5	
	42,4							26,2							
40	44,5	1 1/2	52	62	100	55	35	27,2			95	62	35		15
	48,3							29							
50	57	2	64	76	118	63		33,5	M12		110	76			
	60,3							35,2							
65	76,1	2 1/2	82	94	135	77	39	43			135	94			14
	88,9							54,5							
80	88,9	3	94	106	152	82		64			145	106			
	100							67							
100	108	4	120	136	190			76,5	M16		190	136	40	10	20
	114,3							80							
125	133	5	148	164	217		105	91,5			220	164			
	139,7							96							
150	159	6	176	192	247			109			250	192			
	168,3							120							
175	193,7		202	218	273			121,5			270	218			
	200							145,5							
200	216	8	228	248	311			148,5	M20		315	248	50	12	25
	219,1							174							
250	267	10	282	302	364	125	55	177			370	302			
	273							193							
300	318	12	332	352	418			199			420	352			
	323,9							218							
350	355,6	14	378	402	475			224,5			480	402		15	30
	368							236,5							
400	406,4	16	428	452	526	145	63	269	M24		540	452	60		
	419							276							
500	457		530	554	627						640	554			
	508														
	521														

### Order Code

#### RB + RUL complete

RBxxxx RUL/xx \*\*\*,\*

↳ Pipe-O.D. ØD1 (mm)  
 ↳ PP – Polypropylene  
 ↳ PA – Polyamide  
 ↳ Material  
 St 37 no surface finishing  
 St 37 Fe/Zn 8 C  
 St 37 plastic coated  
 Stainless steel 1.4571  
 - no further information required  
 - verz.  
 - rils.  
 - 1.4571

**Clamp consisting of:**  
 1 x Round Steel U-Bolt, 4 x Nuts DIN 934,  
 1 x Plastic Pipe Saddle RUL/xx

#### Round Steel U-Bolt

RBxxxx A \*\*\*, kompl

↳ Dimension A  
 ↳ Material  
 St 37 no surface finishing  
 St 37 Fe/Zn 8 C  
 St 37 plastic coated  
 Stainless steel 1.4571 – 1.4571  
 - no further information required  
 - verz.  
 - rils.

**Clamp consisting of:**  
 1 x Round Steel U-Bolt  
 4 x Nuts DIN 934

#### Plastic Pipe Saddle

RUL \*\*\*,\* xx

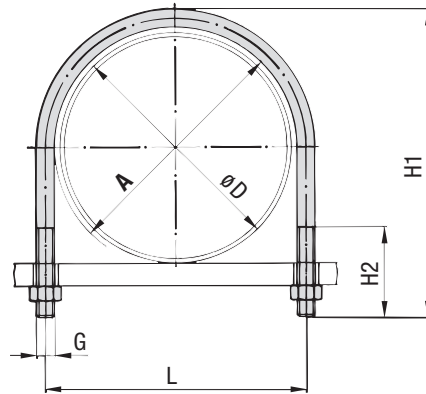
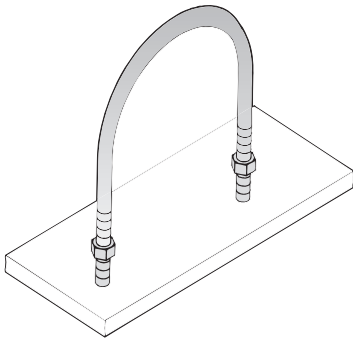
↳ PP – Polypropylene  
 ↳ PA – Polyamide  
 ↳ Pipe-O.D. ØD1 (mm)

#### Information

Items are supplied non-assembled.

Other materials and surface finishings on request.

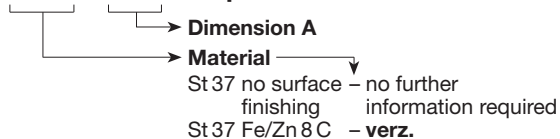
acc. to DIN 3570, Type A



DN	Pipe-O.D. Ø D		Round Steel U-Bolt RBD				
	mm	Nominal Bore	A	L	H1	H2	G
20	25		30	40	70	40	M10
	26,9	3/4					
25	30		38	48	76	50	
	33,7	1					
32	38		46	56	86	60	
	42,4	1 1/4					
40	44,5		52	62	92	70	
	48,3	1 1/2					
50	57		64	76	109	80	
	60,3	2					
65	76,1	2 1/2	82	94	125	90	
80	88,9	3	94	106	138	100	
100	108		120	136	171	110	
	114,3	4					
125	133		148	164	191	120	
	139,7	5					
150	159		176	192	217	130	
	168,3	6					
175	193,7		202	218	249	140	
200	216		228	248	283	150	
	219,1	8					
250	267		282	302	334	160	
	273	10					
300	318		332	352	385	170	
	323,9	12					
350	355,6		378	402	435	180	
	368	14					
400	406,4		428	452	487	190	
	419	16					
500	508		530	554	589	200	
	521						

### Order Code

RBDxxxx A \*\*\* kompl



### Clamp consisting of:

1 x Round Steel U-Bolt  
2 x Nuts DIN 934

Other materials and surface finishings on request.

### Information

Items are supplied non-assembled.