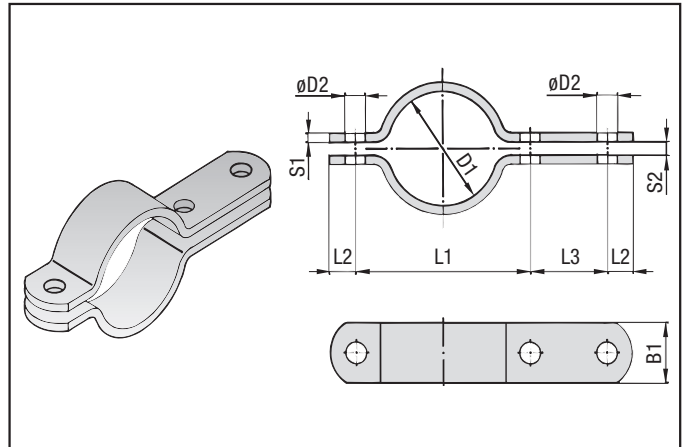
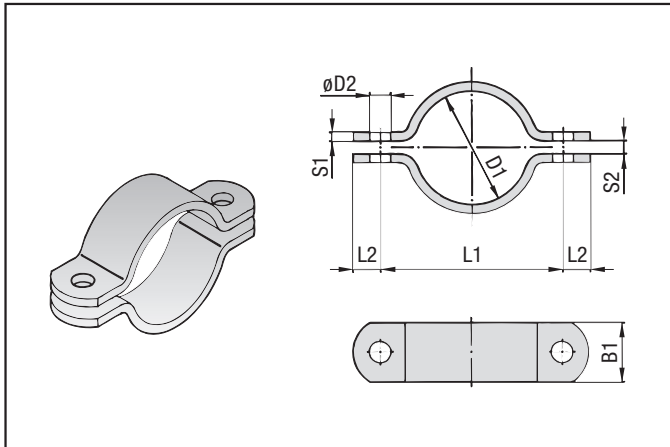


# Metal Pipe Clamps

acc. to **DIN 3567 Type A**

acc. to **DIN 3567 Type B**



STAUFF Group D1	Nominal Size		L1	L2	S1	S2	D2	B1	Accessories Hexagon Head Bolts Hexagon Nuts						
	mm	Pipe													
20	15		57	15	5	7	11,5	30	M10 x 30 M10						
22			59												
25	20		62												
27		3/4	66												
30	25		68												
34		1	72												
38	32		76												
43		1 1/4	82												
45	40		84												
49		1 1/2	88												
57	50		104	18	6	9	14	40	M12 x 35 M12						
61		2	108												
77	65	2 1/2	122												
89	80	3	136												
108	100		172							24	8	11	18	50	M16 x 45 M16
115		4	178												
133	125		196												
140			204												
159	150		222												
169			232												
194	175		258												
216	200		280												
220			284												
267	250		342	30	8	14	23	60	M20 x 50 M20						
273			348												
318	300		392												
324			398												
368	350		444												
407	400		498							36	10	18	27	70	M24 x 60 M24
419			510												
521	500		614												

STAUFF Group D1	Nominal Size		L1	L2	L3	S1	S2	D2	B1	Accessories Hexagon Head Bolts Hexagon Nuts							
	mm	Pipe															
20	15		57	15	46	5	7	11,5	30	M10 x 30 M10							
22			59														
25	20		62														
27		3/4	66														
30	25		68														
34		1	72														
38	32		76														
43		1 1/4	82														
45	40		84														
49		1 1/2	88														
57	50		104	18	54	6	9	14	40	M12 x 35 M12							
61		2	108														
77	65	2 1/2	122														
89	80	3	136														
108	100		172								24	70	8	11	18	50	M16 x 45 M16
115		4	178														
133	125		196														
140			204														
159	150		222														
169			232														
194	175		258														
216	200		280														
220			284														
267	250		342	30	86	8	14	23	60	M20 x 50 M20							
273			348														
318	300		392														
324			398														
368	350		444														
407	400		498								36	104	10	18	27	70	M24 x 60 M24
419			510														
521	500		614														

## Order Code

**DIN 3567 A - \*\*\***

→ STAUFF Group D1

## Material:

St37, no surface finishing

Other materials, O.D. and surface finishings on request.

Bolts and nuts do not belong to the delivery standard.

## Order Code

**DIN 3567 B - \*\*\***

→ STAUFF Group D1

## Material:

St37, no surface finishing

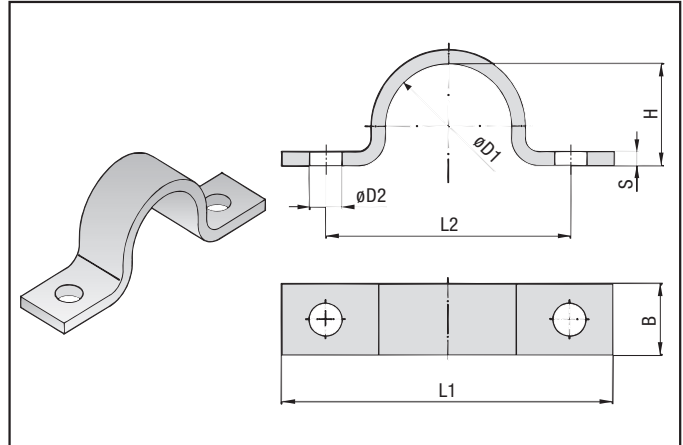
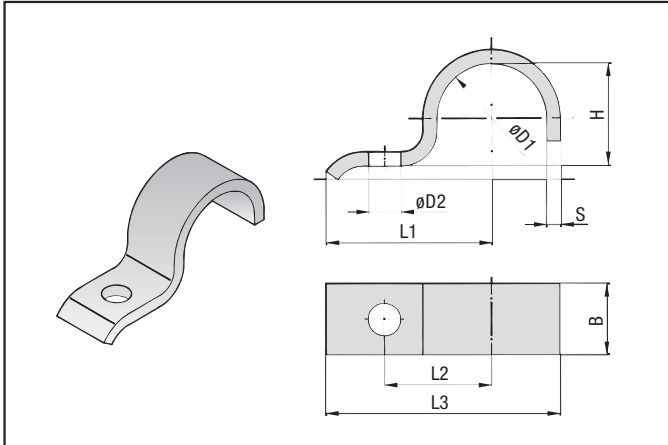
Other materials, O.D. and surface finishings on request.

Bolts and nuts do not belong to the delivery standard.

# Heavy Saddles

acc. to **DIN 1592**

acc. to **DIN 1593**



STAUFF Group ØD1	Diameter range	L1	L2	L3	H	D2	B	S
7	5,5 – 7	22	14	27,5	5	6,6	16	2
9	7 – 9	27	18	33,5	6		20	
13	9,5 – 13	40	25	49,5	9	11	25	3
15,5	13 – 15,5	41	26	52	12			
19	15,5 – 19	43	28	55,5	15			
23	20 – 23	51	35	67	19			
26	23 – 26	52	36	70	22	14	30	5
28,5	26 – 28,5	53	37	73	24			
31	28,5 – 31	55	39	75,5	27			
36	33 – 36	57	41	81	32			
39	36 – 39	59	43	83,5	34	14	40	5
43	39 – 43	68	48	94,5	38			
46	43 – 46	70	50	98	41	18	40	5
49	46 – 49	73	53	105,5	44			
52*	49 – 52	76	56	110	47	18	40	8
58	53 – 58	78	58	115	52			
61	58 – 61	80	60	118,5	57			

STAUFF Group ØD1	Diameter range	L1	L2	H	D2	B	S
7	5,5 – 7	44	28	5	6,6	16	2
9	7 – 9	48	32	6			
13	9,5 – 13	52	36	9	6,6	20	2
15,5	13 – 15,5	56	40	12			
19	15,5 – 19	60	44	15			
23	20 – 23	82	56	19			
26	23 – 26	84	58	22	11	25	3
28,5	26 – 28,5	90	64	24			
31	28,5 – 31			27			
36	33 – 36	106	80	32			
39	36 – 39	110	84	34	11	30	5
43	39 – 43	120	88	38			
46	43 – 46	122	90	41	14	40	5
49	46 – 49			44			
58	53 – 58	142	110	52	14	40	5
61	58 – 61			57			
71	67 – 71	152	120	66	18	40	8
77	73 – 77	176	136	72			
81	77 – 81	184	144	76	18	40	8
91	86 – 91	198	158	85			
103	99 – 103	214	174	98			
109	105 – 109	220	180	104			
115	110 – 115	226	186	109			

\* similar to DIN 1592

## Order Code

**DIN 1592-\*\*\***



### Material and surface finishing

STAUFF Group 7 – 49 St 37 Fe/Zn 8 C  
 STAUFF Group 52 – 61 St 37 no surface finishing  
 (Surface finishing on request only)

Other materials and diameters on request.

## Order Code

**DIN 1593-\*\*\***



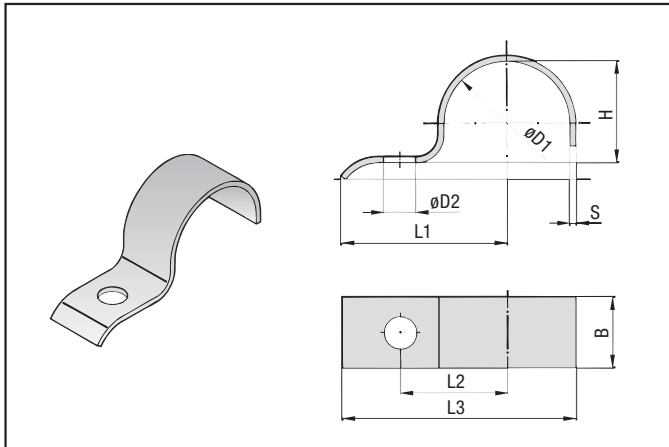
### Material and surface finishing

STAUFF Group 7 – 77 St 37 Fe/Zn 8 C  
 STAUFF Group 81 – 115 St 37 no surface finishing  
 (Surface finishing on request only)

Other materials and diameters on request.

# Light Saddles

acc. to **DIN 1596**



STAUFF Group ØD1	Diameter range	L1	L2	L3	H	D2	B	S
7	5,5 – 7	26	14	31,5	5	6,6	16	2
9	7 – 9	28	16	34,5	6			
13	9,5 – 13	30	18	38,5	9			
15,5	13 – 15,5	32	20	41,75	12			
19	15,5 – 19	34	22	45,5	15			
23	20 – 23	43	28	57,5	19	9	25	3
26	23 – 26	44	29	60	22			
28,5	26 – 28,5	47	32	64,25	24			
31	28,5 – 31			65,5	27			
33*	31 – 33	56	36	75,5	29			
36	33 – 36	57	40	78	32	11	30	3
39	36 – 39	59	42	81,5	34			
43	39 – 43	61	44	85,5	38			
46	43 – 46	62	45	88	41			
49	46 – 49	67	48	95,5	44			
52*	49 – 52	72	53	102	47	14	40	4
58	53 – 58	74	55	107	52			
61	58 – 61	77	58	111,5	56			

\* similar to DIN 1596

## Order Code

**DIN 1596 - \*\*\***

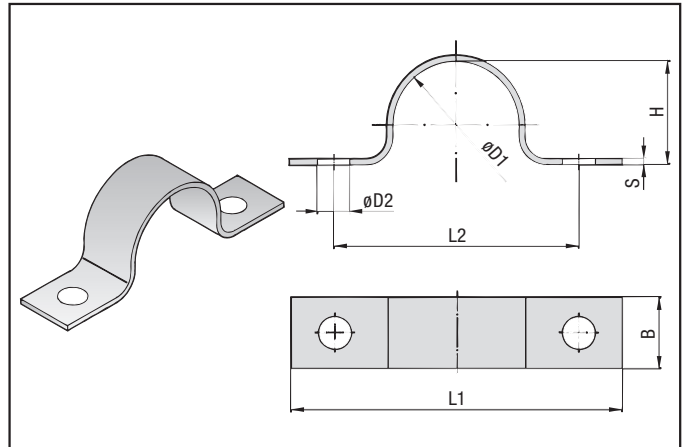
↳ STAUFF Group ØD1

## Material and surface finishing

St37, Fe/Zn8C

Other materials and diameters on request.

acc. to **DIN 1597**



STAUFF Group ØD1	Diameter range	L1	L2	H	D2	B	S
7	5,5 – 7	44	28	5	5,5	16	1,5
9	7 – 9	48	32	6			
13	9,5 – 13	52	36	9			
15,5	13 – 15,5	56	40	12			
19	15,5 – 19	60	44	15			
23	20 – 23	76	56	19	6,6	20	2
26	23 – 26	78	58	22			
28,5	26 – 28,5	84	64	24			
31	28,5 – 31			27			
33*	31 – 33	92	72	29			
36	33 – 36	104	80	32	9	25	3
39	36 – 39	108	84	34			
43	39 – 43	112	88	38			
46	43 – 46	114	90	41			
49	46 – 49	118	90	44			
52*	49 – 52	134	106	47	11	30	3
58	53 – 58	138	110	52			
61	58 – 61			56			

\* similar to DIN 1597

## Order Code

**DIN 1597 - \*\*\***

↳ STAUFF Group ØD1

## Material and surface finishing

St37, Fe/Zn8C

Other materials and diameters on request.