



PRIMOFIT[®]

Compression
Fittings

Time saving pipe
jointing system
for steel pipework.

Price Guide
1st September 2008

**EFFECTIVE FROM 1ST NOVEMBER 2010
THE LIST PRICES ON ALL ITEMS ARE
SUBJECT TO AN INCREASE OF 14.49%**

+GF+

GEORG FISCHER
PIPING SYSTEMS

PRIMOFIT Compression Fittings

Range (1/2 to 3")

Couplings

Male adaptors

Female adaptors

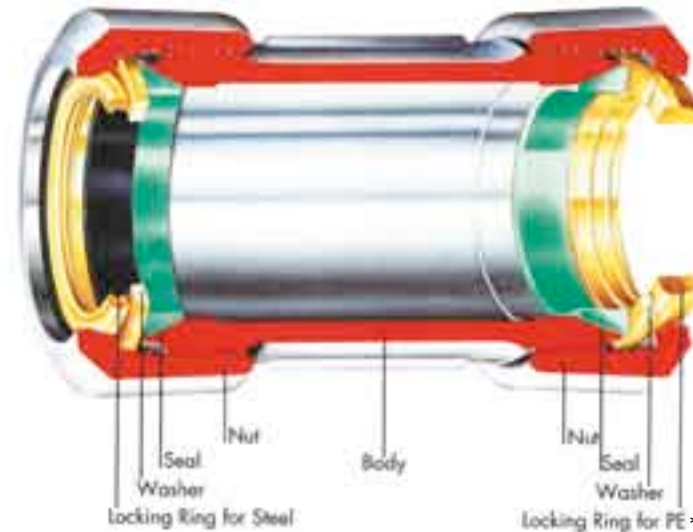
Equal tees

Reducing tees

Threaded outlet tees

Elbows

Caps



The technical data given in this publication are for general information purposes only and are subject to change. They imply no warranty of whatever kind. Please consult our General Conditions of Supply.

* Please note locking rings for PE pipe shown here are available in the PE spares kit

Application

PRIMOFIT is a compression system for connecting steel pipes which offers the installer full end load capability. Ease of installation without the need for specialist tools is an important feature. Available in sizes from 1/2 to 3".

Approvals

PRIMOFIT is approved for use in the applications shown within this documentation. A complete list of current world wide approvals is available on request.

Installation

- Cut pipe square and burr free
- Mark pipe with correct insertion depth
- Insert pipe and hand tighten
- Tighten with a wrench to the correct number of turns

Do not

- Dismantle fitting during installation
- Over insert pipe - seriously reduced joint performance
- Under insert pipe - full joint compression cannot be guaranteed
- Overtighten

Application chart for PRIMOFIT

Fluid	Primary Application	Max. Operating Temp	Max. Operating Pressure	Size Range	Surface Finish	Seal Material	Page
Water	Heating systems	105°C	6 bar	1/2 - 3"	Black	FPM	6 - 9
Petrol	Leaded & unleaded fuel lines	40°C	10 bar	1/2 - 2"	Black	FPM	6 - 9
Diesel	Fuel lines	40°C	10 bar	1/2 - 2"	Black	FPM	6 - 9
Compressed Air	Supply lines	105°C	10 bar	1/2 - 3"	Galvanised	FPM	10-13
Natural Gas	Below ground	70°C	10 bar	1/2 - 2"	Black	NBR	14-17
LP Gas	Below ground - butane & propane	70°C	10 bar	1/2 - 2"	Black	NBR	14-17
Oil	Fuel oil supply lines	40°C	16 bar	1/2 - 2"	Black	NBR	14-17
LP Gas	Above ground - butane & propane	70°C	10 bar	1/2 - 3"	Galvanised	NBR	18-21
Water	Non-potable	80°C	16 bar	1/2 - 3"	Galvanised	NBR	18-21
Natural Gas	Inside Buildings	70°C	75 mbar	1/2 - 2"	Galvanised	Firejoint	22-25
Natural Gas	Outside Buildings above ground	70°C	75 mbar	1/2 - 2"	Galvanised	Firejoint	22-25
Potable Water	Service pipe connections & repair	40°C	16 bar	1/2 - 2"	Galvanised	EPDM	26-29

Minimum operating temperature -20°C

PRIMOFIT for Heating systems

Range (1/2 to 3")

Couplings

Male adaptors

Female adaptors

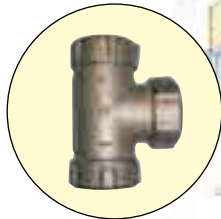
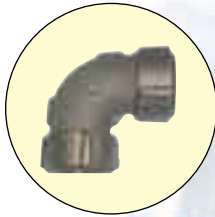
Threaded outlet tees

Reducing tees

Equal tees

Elbows

Caps



This range uses the FPM seals which have been specially selected for their ability to operate at high temperatures. This range is suitable for all heating systems designed to operate up to 105°C.

The wide range of fittings available make PRIMOFIT the first choice for new installations, repair and extension of existing systems.

Joints are quickly made without threads or sealing compounds. Use the threaded outlet tee as a slip tee for branching off existing pipes.

Fittings may be re-used if the internal components are replaced. See our spares pack section to renew components or convert the fitting to a different application.

Application*

Application	Temperature	Pressure
For water	105°C **	6 bar **

* Please consult us if your application is outside these parameters.

** GF Piping Systems Testing Laboratory.

PRIMOFIT for Heating systems

Seals - FPM
Finish - Black

Couplings

Size	Code	Price
1/2	775107051	12.09
3/4	775107052	13.19
1	775107053	14.80
1 1/4	775107054	18.67
1 1/2	775107055	22.28
2	775107056	29.69
2 1/2	775107057	118.12
3	775107058	130.58
3/8 - 1/2	775107060	17.29
3/4 - 1/2	775107061	12.09
1 - 1/2	775107062	13.13
1 - 3/4	775107063	14.80
1 1/4 - 1	775107066	18.67
1 1/2 - 1 1/4	775107070	22.28
2 - 1 1/2	775107075	29.66

Adaptors Male

Size	Code	Price
1/2	775207051	8.77
3/4	775207052	9.53
1	775207053	10.72
1 1/4	775207054	13.52
1 1/2	775207055	16.14
2	775207056	21.52
2 1/2	775207057	85.64
3	775207058	95.86

Adaptors Female

Size	Code	Price
1/2	775217051	8.46
3/4	775217052	9.28
1	775217053	10.34
1 1/4	775217054	13.07
1 1/2	775217055	15.59
2	775217056	20.71
2 1/2	775217057	82.67
3	775217058	91.40

Elbow

Size	Code	Price
1/2	775407051	15.09
3/4	775407052	15.82
1	775407053	18.45
1 1/4	775407054	23.32
1 1/2	775407055	27.81
2	775407056	37.06

Cap

Size	Code	Price
1/2	775457051	7.88
3/4	775457052	8.54
1	775457053	9.61
1 1/4	775457054	12.14
1 1/2	775457055	14.45
2	775457056	19.27

Tee Equal

Size	Code	Price
1/2	775307051	18.15
3/4	775307052	21.08
1	775307053	26.60
1 1/4	775307054	41.05
1 1/2	775307055	44.53
2	775307056	59.33

Tee Threaded Outlet

Size	Code	Price
1/2	775317051	14.47
3/4	775317052	15.80
1	775317053	17.73
1 1/4	775317054	24.26
1 1/2	775317055	28.96
2	775317056	38.56

Tee Reducing

Size	Code	Price
3/4 - 1/2	775307061	23.18
1 - 1/2	775307062	29.21
1 - 3/4	775307063	29.21
1 1/4 - 1/2	775307064	45.12
1 1/2 - 1/2	775307067	49.01
2 - 3/4	775307072	68.22

PRIMOFIT Compression Fittings

Range (1/2 to 3")

Couplings

Male adaptors

Female adaptors

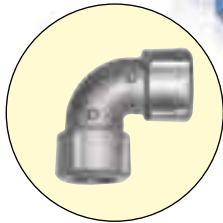
Equal tees

Reducing tees

Threaded outlet tees

Elbows

Caps



A full range of compression fittings designed for use with compressed air systems.

Installation is quick and easy. Later modifications to the pipework layout are straightforward and problem free since the fittings may be dismantled and reused (remember to replace the internal components - see Spares section).

Application*

Application	Temperature	Pressure
For compressed air	105°C **	10 bar **

* Please consult us if your application is outside these parameters.

** GF Piping Systems Testing Laboratory.

PRIMOFIT for Compressed Air Systems

Couplings

Size	Code	Price
1/2	775108051	13.90
3/4	775108052	15.13
1	775108053	17.00
1 1/4	775108054	21.43
1 1/2	775108055	25.61
2	775108056	34.10
2 1/2	775108057	135.83
3	775108058	160.81
3/4 - 1/2	775108061	16.63
1 - 1/2	775108062	18.68
1 - 3/4	775108063	18.68
1 1/4 - 1	775108066	23.61
1 1/2 - 1 1/4	775108070	28.14
2 - 1 1/2	775108075	37.50

Adaptors Male

Size	Code	Price
1/2	775208051	10.09
3/4	775208052	10.99
1	775208053	12.32
1 1/4	775208054	15.57
1 1/2	775208055	18.59
2	775208056	24.72
2 1/2	775208057	98.50
3	775208058	108.85

Adaptors Female

Size	Code	Price
1/2	775218051	9.73
3/4	775218052	10.61
1	775218053	11.90
1 1/4	775218054	15.01
1 1/2	775218055	17.91
2	775218056	23.86
2 1/2	775218057	95.10
3	775218058	105.12

Elbow

Size	Code	Price
1/2	775408051	17.34
3/4	775408052	18.93
1	775408053	21.23
1 1/4	775408054	26.81
1 1/2	775408055	32.03
2	775408056	42.62

Cap

Size	Code	Price
1/2	775458051	9.02
3/4	775458052	9.86
1	775458053	11.06
1 1/4	775458054	13.93
1 1/2	775458055	16.63
2	775458056	22.03

Tee Equal

Size	Code	Price
1/2	775308051	20.84
3/4	775308052	24.26
1	775308053	30.55
1 1/4	775308054	47.17
1 1/2	775308055	51.23
2	775308056	68.22

Tee Threaded Outlet

Size	Code	Price
1/2	775318051	16.63
3/4	775318052	18.19
1	775318053	20.41
1 1/4	775318054	27.86
1 1/2	775318055	33.31
2	775318056	44.33

Tee Reducing

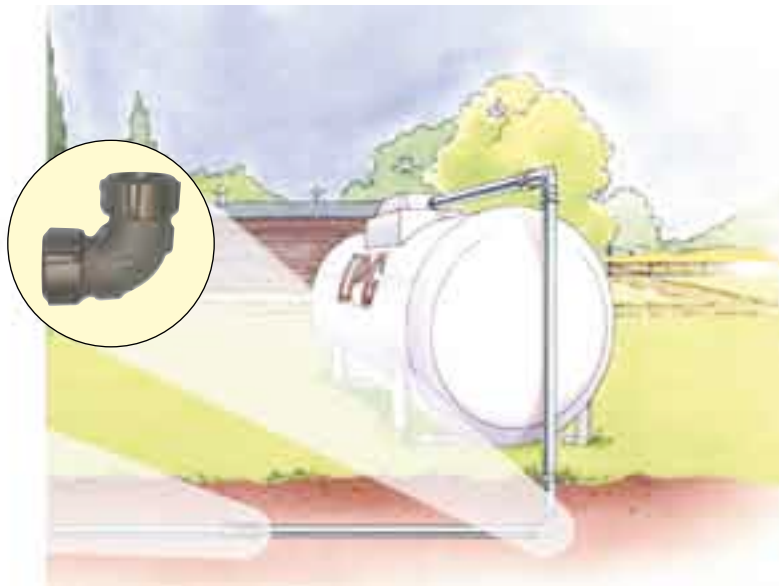
Size	Code	Price
3/4 - 1/2	775308061	26.66
1 - 1/2	775308062	33.60
1 - 3/4	775308063	33.60
1 1/4 - 1/2	775308064	51.92
1 1/2 - 1/2	775308067	56.35
2 - 3/4	775308072	75.04

PRIMOFIT for Natural & LP gas below ground and fuel oil supply lines

Range (1/2 to 2")

Couplings

Male adaptors



A simple range of couplings and male adaptors for connecting below ground steel gas service pipes. Other fitting shapes may be obtained using the other ranges in this catalogue and changing the internal components (see Spares Section).

Remember: All metal fittings used below ground must be protected from corrosion by wrapping.

Application*

Application	Temperature	Pressure
For Gas	70°C **	16 bar **
For Fuel oils	40°C	16 bar

* Please consult us if your application is outside these parameters.

** DIN-DVGW Cert NG-4502AN0119

Couplings

Size	Code	Price
1/2	775101051	8.06
3/4	775101052	8.80
1	775101053	9.86
1 1/4	775101054	12.43
1 1/2	775101055	14.84
2	775101056	19.79

**Adaptors
Male**

Size	Code	Price
1/2	775201051	5.84
3/4	775201052	6.35
1	775201053	7.12
1 1/4	775201054	9.01
1 1/2	775201055	10.76
2	775201056	14.34

If other fitting shapes are required then the galvanised range with NBR seals may be used below ground. These fittings will still need to be wrapped to protect from corrosion.

PRIMOFIT for LP gas and above ground and non-potable water

Range (1/2 to 3")

Couplings

Male adaptors

Female adaptors

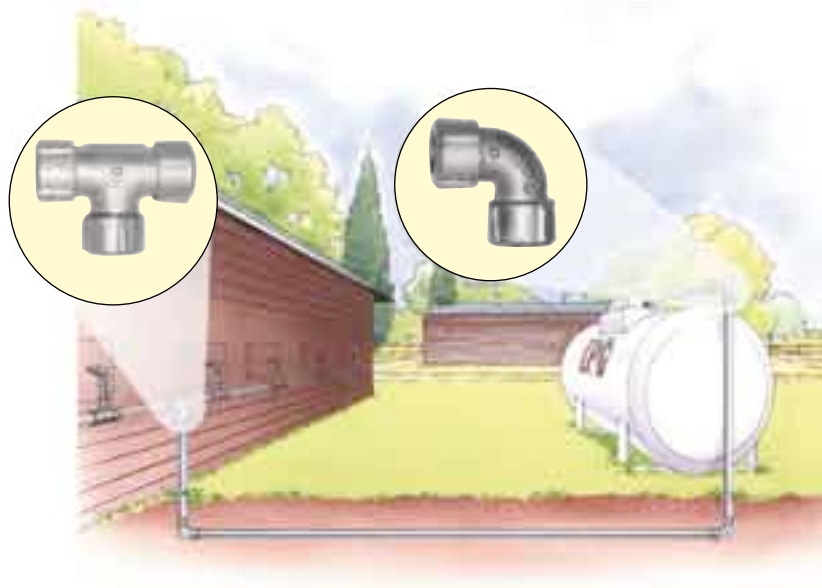
Equal tees

Reducing tees

Threaded outlet tees

Elbows

Caps



A full range of general purpose galvanised fittings.

Galvanised fittings are generally used in above ground external applications. These may also be used below ground if wrapped.

Application*

Application	Temperature	Pressure
Water	80°C **	16 bar **
Gas	70°C ***	10 bar ***

* Please consult us if your application is outside these parameters.

** BSRIA witnessed tests, Report No. 58690/2

*** DIN-DVGW Cert NG-4502AN0119

Note

Not approved for use on gas pipes within buildings.

PRIMOFIT for LP gas above ground & non-potable water

Couplings

Size	Code	Price
1/2	775102051	9.28
3/4	775102052	10.09
1	775102053	11.34
1 1/4	775102054	14.29
1 1/2	775102055	17.06
2	775102056	22.73
2 1/2	775102057	97.02
3	775102058	107.22

**Adaptors
Male**

Size	Code	Price
1/2	775202051	6.73
3/4	775202052	7.31
1	775202053	8.22
1 1/4	775202054	10.40
1 1/2	775202055	12.39
2	775202056	16.46
2 1/2	775202057	70.36
3	775202058	77.75

**Adaptors
Female**

Size	Code	Price
1/2	775212051	6.50
3/4	775212052	7.08
1	775212053	7.92
1 1/4	775212054	10.00
1 1/2	775212055	11.95
2	775212056	15.90
2 1/2	775212057	67.94
3	775212058	75.09

Elbow

Size	Code	Price
1/2	775402051	11.56
3/4	775402052	12.61
1	775402053	14.15
1 1/4	775402054	17.86
1 1/2	775402055	21.35
2	775402056	28.41

**Tee
Equal**

Size	Code	Price
1/2	775302051	13.90
3/4	775302052	16.15
1	775302053	20.37
1 1/4	775302054	31.45
1 1/2	775302055	34.13
2	775302056	45.47

Cap

Size	Code	Price
1/2	775452051	6.01
3/4	775452052	6.56
1	775452053	7.37
1 1/4	775452054	9.30
1 1/2	775452055	11.08
2	775452056	14.67

**Tee
Threaded
Outlet**

Size	Code	Price
1/2	775312051	11.08
3/4	775312052	12.15
1	775312053	13.60
1 1/4	775312054	18.58
1 1/2	775312055	22.21
2	775312056	29.54

PRIMOFIT for Natural gas laterals and risers inside and outside

Range (1/2 to 2")

Couplings

Equal tees

Reducing tees

Elbows

Caps



The only approved compression joint for steel gas risers and laterals inside buildings. PRIMOFIT Firejoint is fire resistant and will not leak gas in the event of a fire.

PRIMOFIT Firejoint is suitable for risers up to 40m high.

PRIMOFIT Firejoint is also recommended for above ground natural gas service pipes, particularly when installed on buildings as external risers and laterals.

Application*

Application	Temperature	Pressure
Gas	70°C **	75 mbar **

* Please consult us if your application is outside these parameters.
 ** 5 bar 70° working/650° fireproof DIN-DVGW Cert DG-4502BL0504
 75 mbar 40°C working/850° fireproof. Approved by Materials & Construction Group, British Gas.

**Approved by
British Gas.**

PRIMOFIT for Natural gas laterals and risers inside and outside buildings

Couplings

Size	Code	Price
1/2	775104051	12.96
3/4	775104052	14.12
1	775104053	15.85
1 1/4	775104054	20.02
1 1/2	775104055	23.92
2	775104056	31.82

Elbow

Size	Code	Price
3/4	775404052	17.66
1	775404053	19.83
2	775404056	39.76

PRIMOFIT Firejoint spares
maybe used to convert other
fitting types to PRIMOFIT
Firejoint (see Spares Section).

Tee Equal

Size	Code	Price
3/4	775304052	22.61
1	775304053	28.54
2	775304056	63.37

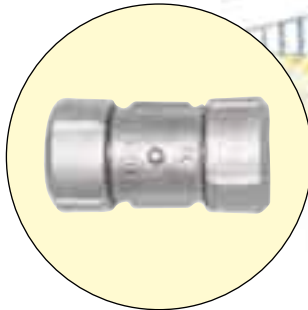
Tee Reducing

Size	Code	Price
2 - 3/4	775308072	70.02

PRIMOFIT for potable water

Range (1/2 to 2")

Couplings
End load resisting
Couplings
Non end-load



Application*

Application	Temperature	Pressure
Water	40°C	16 bar [†]

* Please consult us if your application is outside these parameters.

† For End-load and non-end-load (0.25 if pipework not anchored).
WBS Cert 9609044 (End Load) Unanchored Non End Load, 0.25 bar
(in house testing).

A range of couplings for connecting and repair of water service pipes. The EPDM seals are suitable for use with potable water. The end-load couplings are for use on galvanised steel pipes.

The non end-load couplings may be used for connecting and repair of all rigid pipe materials. We recommend that all fittings installed below ground should be protected from corrosion by wrapping with bitumastic tape.

Remember that all non end-load joints must have anchors of fixed points to prevent pipe separation.

PRIMOFIT for Potable water

**Couplings
End-load**

Size	Code	Price
1/2	775106051	9.28
3/4	775106052	10.09
1	775106053	11.34
1 1/4	775106054	14.29
1 1/2	775106055	17.06
2	775106056	22.73

**Couplings*
Non end-load**

Size	Code	Price
1/2	775106001	8.81
3/4	775106002	9.59
1	775106003	10.76
1 1/4	775106004	13.60
1 1/2	775106005	16.24
2	775106006	21.59

Pipe o.d. range (mm)

14.5 — 21.9
19.5 — 27.4
26.5 — 34.4
36.2 — 43.1
43.1 — 49.0
57.9 — 60.8

See the range of spares packs for connecting PE and lead pipes

*Anchor points must be used to prevent pipe separation.

PRIMOFIT Spares Packs

***Spares for Heating, Water and Compressed air Applications**

Size	Seal Type	Pipe Material	Code	Price
1/2	FPM	Steel	775967961	5.59
3/4	FPM	Steel	775967962	5.73
1	FPM	Steel	775967963	6.24
1 1/4	FPM	Steel	775967964	7.30
1 1/2	FPM	Steel	775967965	8.97
2	FPM	Steel	775967966	11.64
2 1/2	FPM	Steel	775967967	33.18
3	FPM	Steel	775967968	35.44
1/2 x 3/8**	FPM	Steel	775962950	12.89

***Spares for Natural & LP gas and Fuel oil Applications**

Size	Seal Type	Pipe Material	Code	Price
1/2	NBR	Steel	775958951	3.73
3/4	NBR	Steel	775958952	3.81
1	NBR	Steel	775958953	4.16
1 1/4	NBR	Steel	775958954	5.25
1 1/2	NBR	Steel	775958955	5.97
2	NBR	Steel	775958956	7.75
2 1/2	NBR	Steel	775958917	23.70
3	NBR	Steel	775958918	25.30
1/2 x 3/8**	NBR	Steel	775961950	8.59

* Spares pack contains - rubber seal, locking ring and washer (Firejoint pack includes special seal & nut in addition)

** Supplied with galvanised nut to fit 1/2 fittings.

When connecting steel to PE for below ground use on natural gas an anti-shear assembly must be used. Details on request

***Spares for Natural & LP gas and Fuel oil Applications**

Size	Seal Type	Pipe Material	Code	Price
20	NBR	PE	775958961	4.66
25	NBR	PE	775958962	4.76
32	NBR	PE	775958963	5.19
40	NBR	PE	775958964	6.55
50	NBR	PE	775958965	7.46
63	NBR	PE	775958966	9.71
20	Insert	PE (SDR9)	775950201	2.82
25	Insert	PE (SDR11)	775950202	2.89
32	Insert	PE (SDR11)	775950203	3.40
40	Insert	PE (SDR11)	775950204	4.32
50	Insert	PE (SDR11)	775950205	5.55
63	Insert	PE (SDR11)	775950206	7.60

***Spares for Potable Water Applications**

Size	Seal Type	Pipe Material	Code	Price
1/2	EPDM	Steel	775959951	3.73
3/4	EPDM	Steel	775959952	3.81
1	EPDM	Steel	775959953	4.16
1 1/4	EPDM	Steel	775959954	5.25
1 1/2	EPDM	Steel	775959955	5.97
2	EPDM	Steel	775959956	7.75
20	EPDM	PE	775959961	4.66
25	EPDM	PE	775959962	4.76
32	EPDM	PE	775959963	5.19
40	EPDM	PE	775959964	6.55
50	EPDM	PE	775959965	7.46
63	EPDM	PE	775959966	9.71

***Firejoint Spares for Natural Gas Applications (Internal & External)**

Size	Seal Type	Pipe Material	Code	Price
1/2	Firejoint	Steel	775958971	6.13
3/4	Firejoint	Steel	775958972	6.31
1	Firejoint	Steel	775958973	7.22
1 1/4	Firejoint	Steel	775958974	9.52
1 1/2	Firejoint	Steel	775958975	10.94
2	Firejoint	Steel	775958976	11.88

***Spares for Imperial PE**

(Yellow Gas pipe to GC/PSP1 & PL2 (Pre 1975))

Size	Seal Type	Pipe Material	Code	Price
1/2	NBR	PE	775963961	12.16
3/4	NBR	PE	775963962	12.84
1	NBR	PE	775963963	13.50
1 1/4	NBR	PE	775963964	15.05
1 1/2	NBR	PE	775963965	16.89
2	NBR	PE	775963966	20.25

***Spares for lead water pipe (to BS 602)**

Pipe o.d. mm	Seal Type	Lead Pipe size	Code Material	Price
18.74 - 20.96	EPDM	3/8-5, 5/8-3	775956841	6.23
23.78 - 26.88	EPDM	1/2-9, 3/4-4&5	775956842	6.70
28.8 - 31.4	EPDM	3/8-9	775956813	14.94
30.84 - 33.76	EPDM	3/4-11	775956843	7.76
39.6 - 43.1	EPDM	-	775956844	17.82
47.5 - 50.7	NBR	-	775958845	16.85

* Spares pack contains - rubber seal, locking ring and washer
(Firejoint pack includes special seal & nut in addition)

Stockist

--



George Fischer Sales Limited
Paradise Way, Coventry CV2 2ST
Tel: 024 7653 5535, Fax: 024 7653 0450

email uk.ps@georgfischer.com
website www.georgefischer.co.uk

LITGF0622 (Oct 09)