



Piping Systems

> Malleable Iron Fittings

GF Piping Systems

GF Piping Systems is a leading supplier of piping systems made of metal and plastics. For customers around the world, we develop system solutions and high quality components for the safe transportation of water, gas and other media.

These are used in industrial applications, the water and gas distribution industries, and in domestic and sanitary installations.

GF Piping Systems covers the growing demand for complete solutions from a single source in a wide variety of applications.

Precision Manufacturer

George Fischer achieves threads using the highest possible angle exactness and measurement accuracy. Using the latest technology the threads are chamfered by machine, and the flanks of the threads are precisely executed, ensuring that assembly can be easily undertaken.

Innovative Surface

We preserve all GF fittings with a temporary corrosion protection medium in order to avoid rust forming on non-zinc coated surfaces during storage. GF ensures this medium conforms with food laws. This preservation guarantees that polycyclic hydrocarbons are avoided.

Whiteheart Malleable Iron

This material is distinguished through its elastic properties (elongation) and its high tensile strength. Whiteheart malleable iron guarantees optimum zinc coating results by generating a homogenous iron-zinc layer.

Thread Concept

GF produce corrosion inhibiting, free outrunning threads, this method requires greater wall thickness, which does not yield

any disadvantage for the end user whilst positively influencing the life span of the product. Approximately 50% of our fittings are now being produced in this way - we have modified all our popular parts.

Technical Advice

If technical advice is requested, our customers have access to trained experts with practical experience. We also offer group training on specific subjects, as well as practically orientated advice regarding installation guidelines.



Quality > You can rely on

> Your benefits

- technological expertise
- premier quality and performance
- system solutions
- know-how and experience
- local support



> Product Planning

CAD Supported Planning

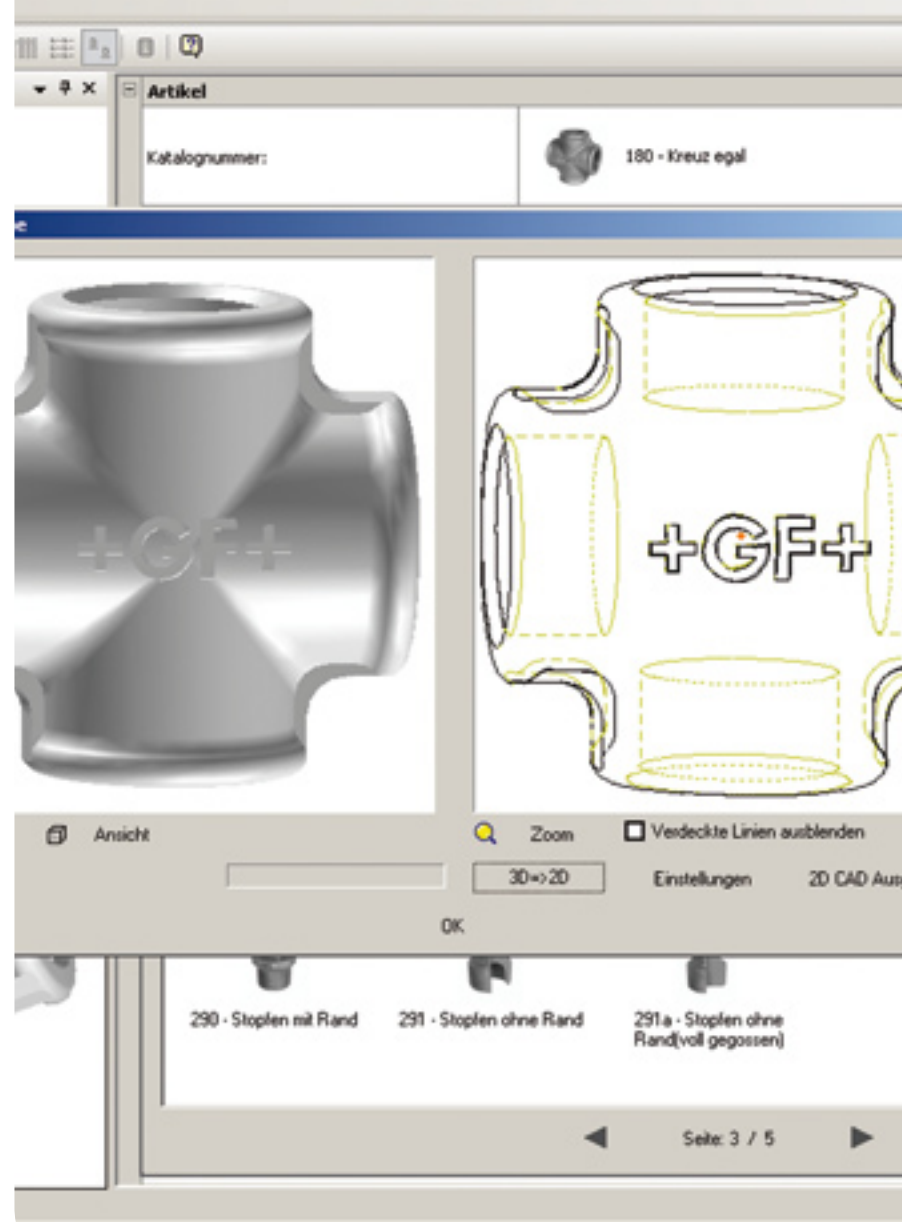
Every installation company has access to the CAD library, enabling them to plan pipe systems by utilising the z-measuring method. This is valid for 2D and 3D constructions. The library can be used with all standard CAD programmes through CD ROM.

Excellence in our Sales Support

In order to fulfil the customers high expectations we stock as many as 2,500 different products in 12 dimensions, in black and zinc coating. We take high interest in a reliable delivery service. Further information on our products is available on www.georgefischer.co.uk

Progressive Logistics

We believe in delivering excellence in service by handling your order efficiently and using the latest in technology. We are able to offer order mediums as EDIFACT and EDIDAVID to our customers. GF provides the International bar code EAN 12 on all cartons and plastic bags.



> Always focused on our customers

Our product diversity enables us to offer you tailor-made solutions. Whether upscale or budget. The right solution is always the most cost-effective for you. Our sales representatives and distribution partners throughout the world will find the perfect solution for you.

That is how we implement customer-orientated solutions, always keeping the focus on the customer producing high quality malleable products.

The unique diversity of our product selection has made us a leading manufacturer worldwide. And the perfect partner for you.



> Standards, approvals

Certification

- ISO 9001:2000 Quality Management System
- ISO 14001:1996 Environment Management System
- FM Certificate HPR for production
- DVGW Certificate for malleable cast iron fittings in gas, and water installation
- BG for mechanical gas fittings, BG, Gastec, DVGW, OEVGW and SVGW, approvals for Primofit
- FM Approved for malleable cast iron fittings

FM approved a certain range of malleable cast iron fittings especially for water sprinkler systems. The approval scheme includes:

- certified QM-System according to ISO 9001:2000
- product documentation
- pressure test on mounted malleable cast iron fittings with 130 bar hydrostatic pressure.



> Malleable Iron > strong performance

GF Piping Systems is a leading supplier of piping components made of metal. For customers around the world, we offer solutions and high quality components for the safe transportation of water, gas and other media. These are used in industrial applications, water, gas, heating and sprinkler installations.



> Quality cast iron fittings

The PLUS of a great brand

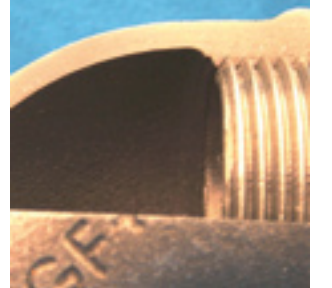
- Unique product range for building technology, public utilities, industrial systems and automation
- Integrated overall and individual solutions
- Perfected components made from metal and plastic
- Development and manufacture in the same place
- International marketing, service and after sales service
- Environmental competence, as a result of economical and ecological compatible production processes



Pure and simple
High zinc surface and preservation

The PLUS of in quality

- 140 years experience in technology and service
- Customer proximity / customer orientated
- Process focussed quality management
- Certified according to EN ISO 9001 : 2000
- Extensively automated high tech facilities
- Committed and motivated qualified employees



Thoughtful design
Free outrunning thread reinforce and makes the pipe covering the full internal thread

The PLUS in profitability

- Cost effective installations as a result of high product quality
- Efficient, accurate pipework installation with the GF z dimension method
- On the spot care and advice; practical training and comprehensive documentation
- Support for modern planning tools and logistic systems



High end material
Strongest material grade of all producers featuring most homogenous zinc layers

> Environmental Management

Environmental Management
System built up in 1996 / 1997

Certification according to ISO 14001
(Since 1998)

Benefits

Legal compliance

Improvement of the environmental performance

- 5-6 goals per year
- energy efficiency
- minimization of operational resources
- reduction of waste and emissions

Improving galvanizing process as a whole
(environmental award)

- minimised use of raw material (pure zinc, acids)
- avoided use of lead
- minimised production of waste (-25%)

Maximising recycling ratio

- foundry waste (mould sand 3000 tonnes per year, cupola slag 2000 tonnes per year, core sand, in summary 80% recycled)

Use of exhaust heat from annealing furnaces for heating, hot water supply

- reduction if gas consumption

Oxygen-enrichment of burning air (cupola)

- reduction in coke consumption

Investment of a new hydropower plant

- energy production 2.8Mio. kWh
- double amount of self produced electricity
- reduction of 700 tonnes of CO₂ per year
- additional ecological benefits
- risk reduction of flooding



GF Piping Systems > worldwide at home

Our sales companies and representatives ensure local customer support in over 100 countries.

www.georgfischer.co.uk



The technical data is not binding. They neither constitute expressly warranted characteristics nor guaranteed properties nor a guaranteed durability. They are subject to modification. Our General Terms of Sale apply.

Adding Quality to People's Lives

Australia

George Fischer Pty Ltd
Riverwood NSW 2210 Australia
Phone +61(0)2/95 02 8000
australia.ps@georgfischer.com
www.georgfischer.com.au

Austria

Georg Fischer
Rohrleitungssysteme GmbH
3130 Herzogenburg
Phone +43(0)2782/856 43-0
austria.ps@georgfischer.com
www.georgfischer.at

Belgium/Luxembourg

Georg Fischer NV/SA
1070 Bruxelles/Brüssel
Phone +32(0)2/556 40 20
be.ps@georgfischer.com
www.georgfischer.be

Brazil

George Fischer Ltda
04795-100 S o Paulo
Phone +55(0)11/5687 1311
br.ps@georgfischer.com

China

Georg Fischer Piping Systems Ltd
Shanghai
Pudong, Shanghai 201319
Phone +86(0)21/58 13 33 33
china.ps@georgfischer.com
www.cn.piping.georgfischer.com

Denmark/Iceland

Georg Fischer A/S
2630 Taastrup
Phone +45 (0)70 22 19 75
info.dk.ps@georgfischer.com
www.georgfischer.dk

France

George Fischer SAS
95931 Roissy Charles de Gaulle
Cedex
Phone +33(0)1 41 8468 84
fr.ps@georgfischer.com
www.georgfischer.fr

Germany

Georg Fischer GmbH
73095 Albershausen
Phone +49(0)7161/302-0
info.de.ps@georgfischer.com
www.vgd.georgfischer.de

India

Georg Fischer Piping
Systems Ltd
400 093 Mumbai
Phone +91 224007 2001
in.ps@georgfischer.com
www.georgfischer.in

Italy

Georg Fischer S.p.A.
20063 Cernusco S/N (MI)
Phone +3902/921 861
it.ps@georgfischer.com
www.georgfischer.it

Japan

Georg Fischer Ltd
556-0011 Osaka,
Phone +81(0)6/6635 2691
jp.ps@georgfischer.com
www.georgfischer.jp

Korea

Georg Fischer Piping Systems
Guro-3 dong, Guro-gu, Seoul,
Korea
Phone +82(0)2 2081 1450
Fax +82(0)2 2081 1453
kor.ps@georgfischer.com

Malaysia

Georg Fischer [M] Sdn. Bhd.
40460 Shah Alam, Selangor
Phone +60 [0]3-5122 5585
conne.kong@georgfischer.com

Mexico

Georg Fischer S.A. de C.V.
Apodaca, Nuevo Leon
CP66636 Mexico
Phone +52 [81]1340 8586
Fax +52 [81]1522 8906

Mexico

Georg Fischer S.A. de C.V.
Apodaca, Nuevo Leon
CP66636 Mexico
Phone +52 [81]1340 8586
Fax +52 [81]1522 8906

Middle East

Georg Fischer Piping Systems
Dubai, United Arab Emirates
Phone +971 4 289 41 20
gfdubai@emirates.net.ae
www.piping.georgfischer.com

Netherlands

Georg Fischer N.V.
8161 PA Epe
Phone +31 [0]578-678 222
nl.ps@georgfischer.com
www.georgfischer.nl

Norway

Georg Fischer AS
1351 Rud
Phone +47(0)67 18 29 00
no.ps@georgfischer.com
www.georgfischer.no

Poland

Georg Fischer Sp. z o.o.
02-226 Warszawa
Phone +48(0)22/313 10 50
poland.ps@georgfischer.com
www.georgfischer.pl

Romania

Georg Fischer Piping
Systems Ltd
020257 Bucharest - Sector 2
Phone +40(0)1/230 53 80
ro.ps@georgfischer.com

Russia

Georg Fischer Piping Systems
Moscow 125047
Phone +7 495 258 60 80
ru.ps@georgfischer.com

Singapore

Georg Fischer Pte Ltd
528 872 Singapore
Phone +65(0)67 47 06 11
sgp.ps@georgfischer.com
www.georgfischer.com.sg

Spain/Portugal

Georg Fischer S.A.
28046 Madrid
Phone +34(0)91/781 98 90
es.ps@georgfischer.com
www.georgfischer.es

Sweden/Finland

Georg Fischer AB
12523 Älvsjö-Stockholm
Phone +46(0)8 506 775 00
info.se.ps@georgfischer.com
www.georgfischer.se

Switzerland

Georg Fischer Rohrleitungssysteme
[Schweiz] AG
8201 Schaffhausen
Phone +41(0)52 631 30 26
ch.ps@georgfischer.com
www.piping.georgfischer.ch

Taiwan

Georg Fischer Piping Systems
San Chung City, Taipei Hsien
Phone +886 2 8512 2822 Ext. 15
Fax +886 2 8512 2823

United Kingdom/Ireland

Georg Fischer Sales Limited
Coventry, CV2 2ST
Phone +44(0)2476 535 535
uk.ps@georgfischer.com
www.georgfischer.co.uk

USA/Canada/Latin America/Caribbean

Georg Fischer LLC
Tustin, CA 92780-7258
Phone +1(714) 731 88 00
Toll Free 800/854 40 90
us.ps@georgfischer.com
www.us.piping.georgfischer.com

International

Georg Fischer Piping Systems [Switzerland] Ltd
8201 Schaffhausen
Phone +41(0)52 631 30 26
Fax +41(0)52 631 28 93
info.export@georgfischer.com
www.piping.georgfischer.com