



**Weber
UK**

WEBER UK LTD.

INDEX



ABOUT US
PAGE 4-5



HYDRAULIC JACKS
PAGE 6-10



AIR HYDRAULIC JACKS
PAGE 11-16



JACKING BEAMS
PAGE 17-21



HEAVY DUTY JACKING BEAMS
PAGE 22-23, 28-29



PIT JACKS
PAGE 24-29



CRANES
PAGE 30-31



TRANSMISSION JACKS
PAGE 32-33



WHEEL TROLLEYS
PAGE 34-35



PRESSES
PAGE 36-40



AUTOLIFT
PAGE 41



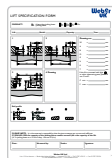
DRUM TROLLEYS
PAGE 42



BOTTLE JACKS
PAGE 43-44



LIFTING EQUIPMENT FOR AIRCRAFTS
PAGE 45-48



SPECIFICATION FORMS
PAGE 49-50

ABOUT US



Weber

The 'Weber' range is recognised as one of the leading suppliers of hydraulic equipment for the UK Aftermarket.

Products

All products listed in this catalogue are manufactured in Denmark or Germany.

Both factories are modern and efficient and operate state-of-the-art production facilities including robots, laser-cutting machines, CNC machinery, etc. At our Halstead warehouse, Weber UK stocks and distributes all products throughout the United Kingdom and Ireland.

Quality

Naturally we must all be aware of the ultimate price of products but our prime concern is one of quality and we aim to meet all requirements demanded by the recognised international standards authorities including the MOD.

The company is NQA registered to ISO 9001:2008



History

In 1974, Weber UK Limited was established as a manufacturing subsidiary of Weber-Hydraulik GMBH producing a range of hydraulic bottle jacks specifically for the O.E. truck industry within the U.K. market. This business expanded rapidly over the next 11 years eventually manufacturing at a production rate of 70,000 units per year.

Following the decline in production of the U.K truck industry and the subsequent dramatic effect on our total business the decision was made to close the manufacturing facility and re-focus our activities into the after-market sector.

Within a short period of time Weber became firmly established as a supplier of a complete range of high quality garage equipment products incorporating both manual-hydraulic and air-hydraulic models.. All products meet the demanding MOD and Industrial technical and quality standards

In 2002 a management buy-out was agreed with Weber-Hydraulik GMBH and the company entered an exciting new era trading as Weber UK Limited.

During December 2006 the company moved into much larger, modern premises based in Halstead, Essex where it now successfully carries out all sales, warehousing and distribution operations. In addition a comprehensive repair and service facility is available for all Weber UK products.

During 2007, a new company was established to handle the sales/marketing/distribution of all Rescue equipment manufactured in Austria by Weber-Hydraulik GMBH. This company operates from brand-new premises based near Wakefield, Yorkshire and trades under the name of Weber Rescue UK Limited.

HYDRAULIC JACKS

WDK20 / WDK20Q



Capacity: 2,0 t
Max. height: 495 mm

Jack for passenger cars and vans

- Very low minimum height of only 80 mm
- Wide and robust frame made of high-strength steel
- Precise and safe control whilst lowering
- Manual dead man's release for optimum safety when lowering
- Built-in safety overload valve
- Noiseless wheels incorporating a polyurethane central O ring offers maximum surface protection
- Ergonomically designed handle ensuring positive and safe operation
- WDK20Q is fitted with quick-lift pedal for easy reach of lifting point



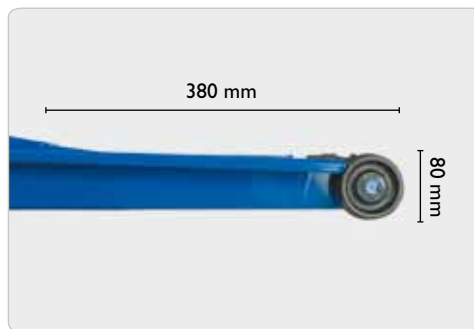
WDKI3HLQ



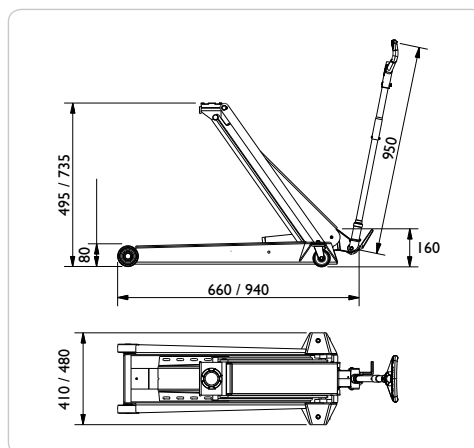
Capacity: 1,3 t
Max. height: 735 mm

High lifter with long reach, ideal for cars with low clearance

- Very low minimum height of only 80 mm
- Wide and robust frame made of high-strength steel
- Fitted with quick-lift pedal for easy reach of lifting point
- Precise and safe control whilst lowering
- Manual dead man's release for optimum safety when lowering
- Built-in safety overload valve
- Noiseless wheels incorporating a polyurethane central O ring offers maximum surface protection
- Ergonomically designed handle ensuring positive and safe operation



	WDK20	WDK20Q	WDKI3HLQ
Capacity	2,0 t	2,0 t	1,3 t
Min. height	80 mm	80 mm	80 mm
Max. height	495 mm	495 mm	735 mm
Frame length	660 mm	660 mm	940 mm
Handle length	950 mm	950 mm	950 mm
Frame height	160 mm	160 mm	160 mm
Width	410 mm	410 mm	480 mm
Weight	31 kg	31 kg	39 kg



HYDRAULIC JACKS

WDK20HLQ



Capacity: 2,0 t
Max. height: 795 mm

High lifting jack ideal for SUVs and vans

- Very low minimum height of only 80 mm
- Wide and robust frame made of high-strength steel
- Fitted with quick-lift pedal for easy reach of lifting point
- Precise and safe control whilst lowering
- Manual dead man's release for optimum safety when lowering
- Built-in safety overload valve
- Noiseless wheels incorporating a polyurethane central O ring offers maximum surface protection
- Ergonomically designed handle ensuring positive and safe operation



WDK50HLQ



Capacity: 5,0 t
Max. height: 975 mm

High lifting jack for trucks, agricultural machinery & contractors' machines

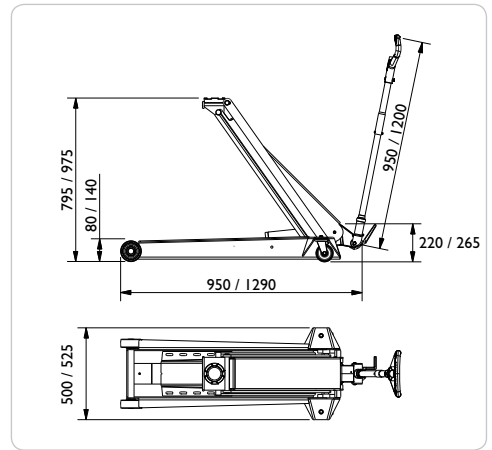
- Low minimum height of only 140 mm
- Can be fitted with pneumatic tyres for easy manoeuvring (option)
- Wide and robust frame made of high-strength steel
- Fitted with quick-lift pedal for easy reach of lifting point
- Precise and safe control whilst lowering
- Manual dead man's release for optimum safety when lowering
- Built-in safety overload valve
- Ergonomically designed handle ensuring positive and safe operation



WDK20HLQ

WDK50HLQ

	WDK20HLQ	WDK50HLQ
Capacity	2,0 t	5,0 t
Min. height	80 mm	140 mm
Max. height	795 mm	975 mm
Frame length	950 mm	1290 mm
Handle length	950 mm	1200 mm
Frame height	220 mm	265 mm
Width	500 mm	525 mm
Weight	49 kg	170 kg



HYDRAULIC JACKS

WDK40Q / WDK60Q



Capacity: 4,0 / 6,0 t
Max. height: 600 mm

Jack for trucks, agricultural machinery & contractors' machines

- Low minimum height of only 140 mm
- Can be fitted with pneumatic tyres for easy manoeuvring (option)
- Wide and robust frame made of high-strength steel
- Fitted with quick-lift pedal for easy reach of lifting point
- Precise and safe control whilst lowering
- Manual dead man's release for optimum safety when lowering
- Built-in safety overload valve
- Ergonomically designed handle ensuring positive and safe operation



WDKI00Q / WDKI20Q



Capacity: 10,0 / 12,0 t
Max. height: 585 mm

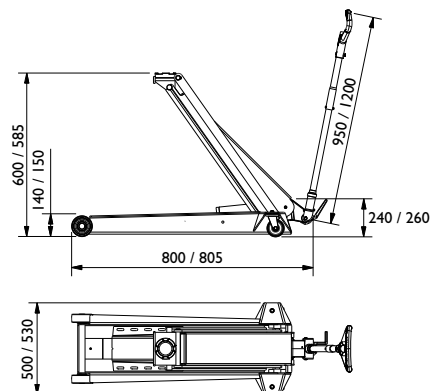
Jack for trucks, agricultural machinery & contractors' machines

- Low minimum height of only 150 mm
- Can be fitted with pneumatic tyres for easy manoeuvring (option)
- Wide and robust frame made of high-strength steel
- Fitted with quick-lift pedal for easy reach of lifting point
- Precise and safe control whilst lowering
- Manual dead man's release for optimum safety when lowering
- Built-in safety overload valve
- Ergonomically designed handle ensuring positive and safe operation



WDK40Q WDK60Q WDKI00Q WDKI20Q

	WDK40Q	WDK60Q	WDKI00Q	WDKI20Q
Capacity	4,0 t	6,0 t	10,0 t	12,0 t
Min. height	140 mm	140 mm	150 mm	150 mm
Max. height	600 mm	600 mm	585 mm	585 mm
Frame length	800 mm	800 mm	805 mm	805 mm
Handle length	950 mm	1200 mm	1200 mm	1200 mm
Frame height	240 mm	240 mm	260 mm	260 mm
Width	500 mm	500 mm	530 mm	530 mm
Weight	95 kg	95 kg	118 kg	118 kg



HYDRAULIC JACKS

FJ40



Capacity: 4,0 / 5,0 t
Max. height: 455 / 730 mm

Jack for fork lifts – also suitable for agriculture and industry

Extremely low minimum height of only 55 mm

With 2 lifting heights (scissors 55-455 mm, cylinder 410-730 mm)

Scissor capacity: 4 tonnes, cylinder capacity: 5 tonnes

Foldable and therefore also convenient for service trucks

Wide and robust frame made of high-strength steel

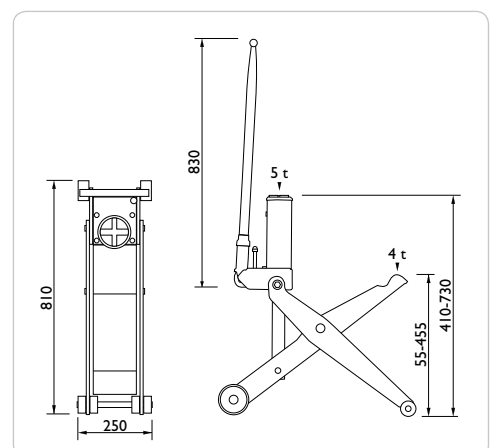
Precise and safe control by lowering

Built-in safety overload valve



FJ40

Capacity (scissor/cylinder)	4,0 / 5,0 t
Min. height (scissor/cylinder)	55 / 410 mm
Max. height (scissor/cylinder)	455 / 730 mm
Frame length	810 mm
Handle length	830 mm
Frame height	100 mm
Width	250 mm
Weight	43 kg



OPTION - HYDRAULIC JACKS

GSI



Rubber cushion
For protection of car body

Fits:
WDK20
WDK20Q
WDK13HLQ
WDK20HLQ
T3



G4



High quality pneumatic tyres
For easy transport and extra manoeuvrability – also on uneven floors

Fits:
WDK40Q
WDK60Q
WDK100Q
WDK120Q
WDK50HLQ



T3



Capacity: 1,0 t

Cross beam adaptor
Lifts the car for change of both wheels at the same time.
With telescopic arms, reach from 745 – 1150 mm

Fits:
WDK20
WDK20Q
WDK13HLQ
WDK20HLQ



FWDK1 / FWDK2



Extension FWDK1
Extension for cars with high clearance (100 mm)

Fits:
WDK20 / WDK20Q
WDK13HLQ / WDK20HLQ

Extension FWDK2
Extension for cars with high clearance (125 mm)

Fits:
WDK40Q / WDK60Q
WDK100Q / WDK120Q
WDK50HLQ



PORTABLE AIR HYDRAULIC JACK

B25-2



Capacity: 25 / 10 t
Max. height: 234 / 317 mm



Portable air hydraulic jack – ideal for service vans etc.

Low minimum height of only 162 mm and low weight of only 27 kg

Handy design - no loose tubes, handles or valves

Easy to operate – handle can be used for carrying, lifting, lowering and manoeuvring

Hard chromium plated piston rod for long life

Built-in safety overload valve

Hand-operated dead-man's control for optimum safety whilst lifting and lowering

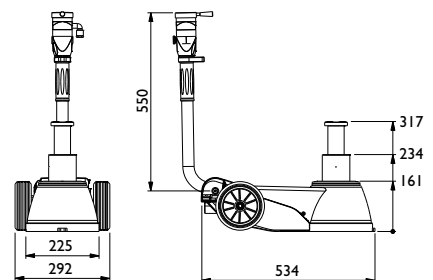
Transport locking device / wall bracket for both van and workshop (Option)

With 2 extensions (50/100 mm)



B25-2

Capacity	25 / 10 t
Min. height	161 mm
Max. height	234 / 317 mm
Frame length	534 mm
Handle length	550 mm
Width	225 mm
Width (with wheels)	292 mm
Air supply	9 - 12 bar
Air consumption	350 l/min
Weight	27 kg



AIR HYDRAULIC JACKS

AH25-I



Capacity: 25 t
Max. height: 344 mm

Single stage air hydraulic jack for heavy plant machinery and trucks

Minimum height of 221 mm
Designed for heavy-duty, intensive commercial use
Hard chromium plated piston rod for long life
Built-in safety overload valve
Hand-operated dead-man's control for optimum safety whilst lifting and lowering
AH25-I TH model with telescopic handle increasing the reach under the vehicle to 2123 mm ensuring safe and easy operation
With 2 extensions (50/100 mm)



AH25-IH



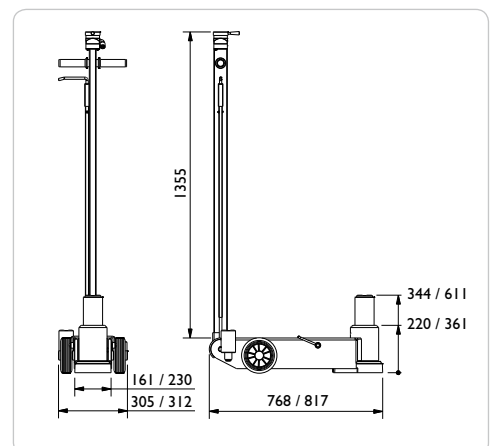
Capacity: 25 t
Max. height: 611 mm

Single stage air hydraulic jack for agricultural and contractors' machinery, trailers and other high clearance applications

Minimum height of 361 mm
Maximum height of 611 mm, the F250 (optional) extension offers a total extended height of 861 mm
Hard chromium plated piston rod for long life
Built-in safety overload valve
Hand-operated dead-man's control for optimum safety whilst lifting and lowering
AH25-I TH model with telescopic handle increasing the reach under the vehicle to 212 mm ensuring safe and easy operation
With 2 extensions (50/100 mm)



	AH25-I	AH25-IH
Capacity	25 t	25 t
Min. height	220 mm	361 mm
Max. height	344 mm	611 mm
Frame length	768 mm	817 mm
Handle length	1355 mm	1355 mm
Width	161 mm	230 mm
Width (with wheels)	305 mm	312 mm
Air supply	9 - 12 bar	9 - 12 bar
Air consumption	350 l/min	350 l/min
Weight	62 kg	71 kg



AIR HYDRAULIC JACKS

AH25-2



Capacity: 25 / 10 t
Max. height: 275 / 377 mm

Versatile 2-stage air hydraulic jack for buses and trucks

Minimum height of 180 mm
Designed for heavy-duty, intensive commercial use
Hard chromium plated piston rod for long life
Built-in safety overload valve
Hand-operated dead-man's control for optimum safety whilst lifting and lowering
AH25-2TH model with telescopic handle increasing the reach under the vehicle to 2123 mm ensuring safe and easy operation
With 2 extensions (50/100 mm)



AH50-2



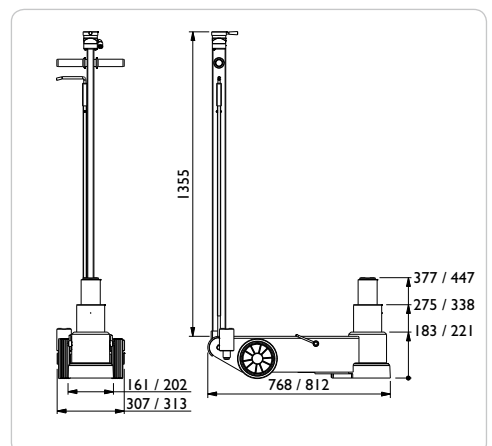
Capacity: 50 / 25 t
Max. height: 338 / 447 mm

2-stage air hydraulic jack for heavy buses and trucks

Minimum height of 221 mm
Designed for heavy-duty, intensive commercial use
Hard chromium plated piston rod for long life
Built-in safety overload valve
Hand-operated dead-man's control for optimum safety whilst lifting and lowering
AH50-2TH model with telescopic handle increasing the reach under the vehicle to 2167 mm ensuring safe and easy operation
With 2 extensions (50/100 mm)



	AH25-2	AH50-2
Capacity	25 / 10 t	50 / 25 t
Min. height	183 mm	221 mm
Max. height	275 / 377 mm	338 / 447 mm
Frame length	768 mm	812 mm
Handle length	1355 mm	1355 mm
Width	161 mm	202 mm
Width (with wheels)	307 mm	313 mm
Air supply	9 - 12 bar	9 - 12 bar
Air consumption	350 l/min	350 l/min
Weight	60 kg	80 kg



AIR HYDRAULIC JACKS

AH50-3



Capacity: 50 / 25 / 10 t
Max. height: 211 / 264 / 333 mm

3-stage air hydraulic jack for low buses and other low clearance vehicles

Minimum height of only 151 mm combined with a high lifting capacity

Telescopic cylinders ensure an excellent maximum lift together with a low closed height

Designed for heavy-duty, intensive commercial use

Built-in safety overload valve

Hand-operated dead-man's control for optimum safety whilst lifting and lowering

AH50-3TH model with telescopic handle increasing the reach under the vehicle to 2165 mm ensuring safe and easy operation

With 2 extensions (50/100 mm)



AH50-3H



Capacity: 50 / 25 / 10 t
Max. height: 338 / 447 / 560 mm

3-stage air hydraulic jack for high clearance vehicles

Minimum height of 221 mm and high maximum height of 560 mm

Designed for heavy-duty, intensive commercial use

Hard chromium plated piston rod for long life

Built-in safety overload valve

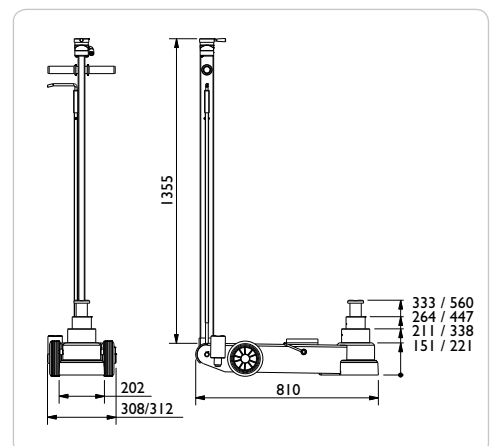
Hand-operated dead-man's control for optimum safety by lifting and lowering

AH50-3HTH model with telescopic handle increasing the reach under the vehicle to 2165 mm ensuring safe and easy operation

For safety reasons extensions are not included



	AH50-3	AH50-3H
Capacity	50 / 25 / 10 t	50 / 25 / 10 t
Min. height	151 mm	221 mm
Max. height	211 / 264 / 333 mm	338 / 447 / 560 mm
Frame length	810 mm	810 mm
Handle length	1355 mm	1355 mm
Width	202 mm	202 mm
Width (with wheels)	308 mm	312 mm
Air supply	9 - 12 bar	9 - 12 bar
Air consumption	350 l/min	350 l/min
Weight	67 kg	73 kg



AIR HYDRAULIC JACKS

AH65-I



Capacity: 65 t
Max. height: 382 mm

Air hydraulic jack for heavy contractors' machinery

Minimum height of 245 mm with an extremely high capacity of 65 t

Designed for heavy-duty, intensive commercial use

Hard chromium plated piston rod for long life

Built-in safety overload valve

Hand-operated dead-man's control for optimum safety whilst lifting and lowering

AH65-I TH model with telescopic handle increasing the reach under the vehicle to 2179 mm ensuring safe and easy operation

Supplied with 2 extensions (100/200 mm) and pneumatic tyres



AH65-IH



Capacity: 65 t
Max. height: 724 mm

Air hydraulic jack for heavy duty applications with high clearance

Minimum height of 423 mm

Maximum height of 724 mm and with extensions up to 1024 mm

Designed for heavy-duty, intensive commercial use

Hard chromium plated piston rod for long life

Built-in safety overload valve

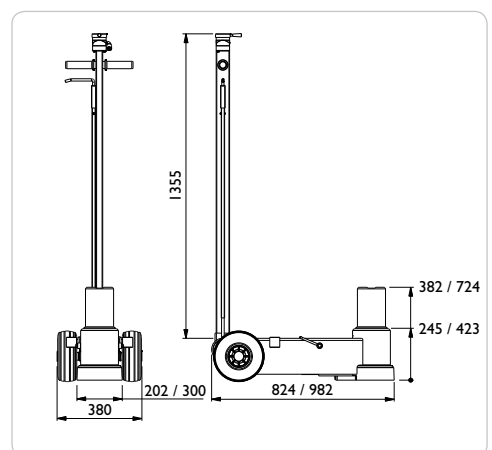
Hand-operated dead-man's control for optimum safety whilst lifting and lowering

AH65-I TH model with telescopic handle increasing the reach under the vehicle to 2337 mm ensuring safe and easy operation

With 2 extensions (100/200 mm)



	AH65-I	AH65-IH
Capacity	65 t	65 t
Min. height	245 mm	423 mm
Max. height	382 mm	724 mm
Frame length	824 mm	982 mm
Handle length	1355 mm	1355 mm
Width	202 mm	300 mm
Width (with wheels)	380 mm	380 mm
Air supply	9 - 12 bar	9 - 12 bar
Air consumption	350 l/min	350 l/min
Weight	95 kg	138 kg



OPTION - AIR HYDRAULIC JACKS

SBB



Transport locking device and wall bracket for B25-2
Safe storage in service vans. Prevents damages in cases of emergency stops. Neat and practical wall mounting in the workshop.

Fits:
B25-2



F250



F250
Increase the maximum height by 250 mm

Cannot be used together with other extensions

Fits:
B25-2
AH25-1
AH25-1H
AH25-2
AH50-2
AH50-3



FW



Capacity: 10 t

Jack saddle
Ø 145 mm
Suitable for lifting under bolts, differential gear etc.

Fits:
B25-2
AH25-1
AH25-1H
AH25-2
AH50-2
AH50-3



FWI



Capacity: 10 t

V-saddle
For lifting under different types of axles.

Fits:
B25-2
AH25-1
AH25-1H
AH25-2
AH50-2
AH50-3



JACKING BEAMS

SD20L / SD26L



Capacity: 2,0 / 2,6 t
Stroke: 250 mm

Hand hydraulic jacking beam for passenger cars and vans

Quick and efficient lifting due to manual double acting pump

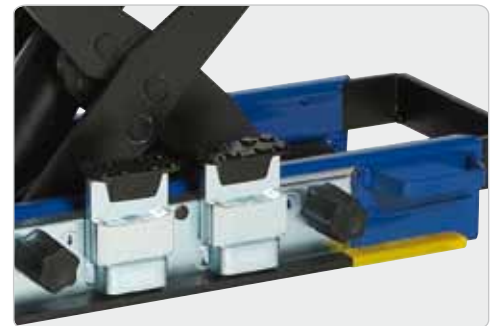
Low closed height of only 180 mm makes it suitable for vehicles with a low clearance

Flexible top support beam can be extended up to 1610 mm

Unique height adjustable support arm system – designed to fit all current lifts and pits
Request list/fill out spec. form p.49/50

Two-hand lowering operation with dead man's release, automatic safety locking device and overload valve for optimum safety

Supplied with 3 extension sets (10/40/85 mm) and rubber cushion for protection of car body



SD20PHL / SD26PHL



Capacity: 2,0 / 2,6 t
Stroke: 250 mm

Air hydraulic jacking beam for passenger cars and vans

Quick and efficient lifting due to reliable and noiseless pump

Low closed height of only 180 mm makes it suitable for vehicles with a low clearance

Flexible top support beam can be extended up to 1610 mm

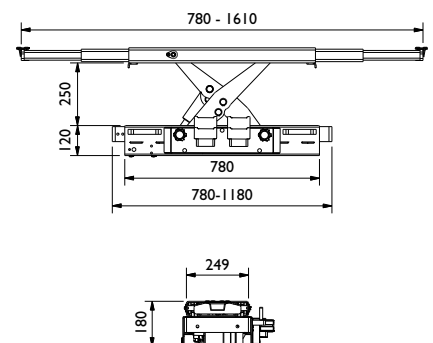
Unique height adjustable support arm system – designed to fit all current lifts and pits
Request list/fill out spec. form p.49/50

Two-hand lowering operation with dead man's release, automatic safety locking device and overload valve for optimum safety

Supplied with 3 extension sets (10/40/85 mm) and rubber cushion for protection of car body



	SD20L	SD26L	SD20PHL	SD26PHL
Capacity	2,0 t	2,6 t	2,0 t	2,6 t
Stroke	250 mm	250 mm	250 mm	250 mm
Min. height	180 mm	180 mm	180 mm	180 mm
Telescopic arms	780 - 1610 mm	780 - 1610 mm	780 - 1610 mm	780 - 1610 mm
Width (+ support arms)	780 - 1180 mm	780 - 1180 mm	780 - 1180 mm	780 - 1180 mm
Lifting frame (height)	120 mm	120 mm	120 mm	120 mm
Lifting frame (depth)	249 mm	249 mm	249 mm	249 mm
Air supply			8,5 - 12 bar	8,5 - 12 bar
Air consumption			350 l/min	350 l/min
Weight (+ support arms)	105 kg	105 kg	110 kg	110 kg



JACKING BEAMS

SD20PHL-A / SD26PHL-A



Capacity: 2,0 / 2,6 t
Stroke: 250 mm

Automatic air hydraulic jacking beam for inspections centres and workshops with many lifting operations

Individual joysticks control of lifting arms to avoid time consuming working operations

Remote control activates lowering and retraction of lifting arms to closed position

Placing the remote control next to the lift control panel ensures safe operation and prevents unnecessary steps

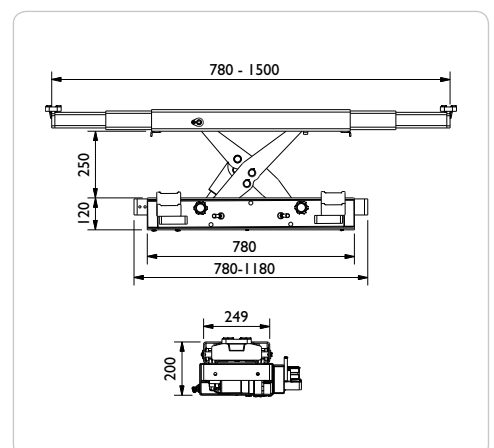
Unique height adjustable support arm system – designed to fit all current lifts and pits

Request list/fill out spec. form p.49/50

Supplied with 3 extension sets (10/40/85 mm) and rubber cushion



	SD20PHL-A	SD26PHL-A
Capacity	2,0	2,6 t
Stroke	250 mm	250 mm
Min. height	200 mm	200 mm
Telescopic arms	780 - 1500 mm	780 - 1500 mm
Width (without support arms)	780 - 1180 mm	780 - 1180 mm
Lifting frame (height)	120 mm	120 mm
Lifting frame (depth)	249 mm	249 mm
Air supply	8,5 - 12 bar	8,5 - 12 bar
Air consumption	350 l/min	350 l/min
Weight (without support arms)	120 kg	120 kg



JACKING BEAMS

SD40PHL



Capacity: 4,0 t
Stroke: 250 mm

Air hydraulic jacking beam for passenger cars, vans and trucks

Strong and robust design makes it ideal for lifting heavy vehicles

Low closed height of only 230 mm

Flexible top support beam can be extended up to 1500 mm

Unique height adjustable support arm system – designed to fit all current lifts and pits

Request list/fill out spec. form p.49/50

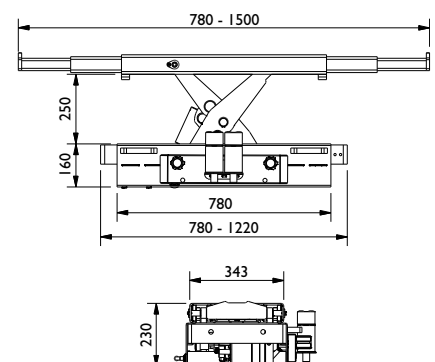
Two-hand lowering operation with dead man's release, automatic safety locking device and overload valve for optimum safety

Supplied with 2 extension sets (50/100 mm)



SD40PHL

Capacity	4,0 t
Stroke	250 mm
Min. height	230 mm
Telescopic arms	780 - 1500 mm
Width (without support arms)	780 - 1220 mm
Lifting frame (height)	160 mm
Lifting frame (depth)	343 mm
Air supply	8,5 - 12 bar
Air consumption	350 l/min
Weight (without support arms)	175 kg



OPTION - JACKING BEAMS

HSD / HSD-A



Air-line connection - HSD

Set for jacking beam

Fits:
SD20PHL
SD26PHL
SD40PHL

Air-line connection - HSD-A

Set for automatic jacking beam

Fits:
SD20PHL-A
SD26PHL-A



FSD I



Extension

Increases the lifting height by
130 mm
(Order 2 units)

Fits:
SD20L
SD26L
SD20PHL
SD26PHL
SD20PHL-A
SD26PHL-A



FSD2 / FSD3



Rubber support - FSD2

Block for protection of car body
(40 mm)
(Order 2 units)

Fits:
All jacking beams

Rubber support - FSD3

Block for protection of car body
(80 mm)
(Order 2 units)

Fits:
All jacking beams



FSD5



Capacity: 2,0 t

Saddle with spindle

Increases the lifting height by 106-
240 mm.
(Order 2 units)

Fits:
SD20L
SD26L
SD20PHL
SD26PHL
SD20PHL-A
SD26PHL-A



OPTION - JACKING BEAMS

FSD6 / FSD7

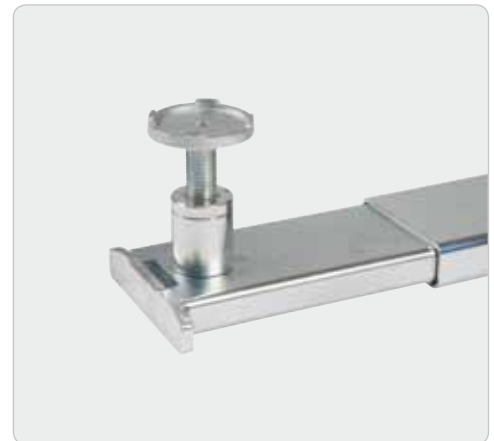


Capacity: 2,0 t

Adjustable saddle - FSD6
Increases the lifting height by 32-92 mm
(Order 2 units)

Extension - FSD7
For FSD6 increases the lifting height by 60 mm
(Order 2 units)

Fits:
SD20L
SD26L
SD20PHL
SD26PHL



GS1



Rubber cushion
Can be used in combination with FSD5 and FSD6
For protection of car body
(Order 2 units)

Fits:
FSD5
FSD6



GS2



Rubber cushion
Rubber cushion for 10 mm extension
(Order 2 units)

Fits:
SD20L
SD26L
SD20PHL
SD26PHL
SD20PHL-A
SD26PHL-A



FW / FWI



Saddle - FW
Suitable for lifting over drain plugs, differential gear etc.
(Ø 145 mm)
(Order 2 units)

V-saddle - FWI
For lifting under various axles
(Order 2 units)

Fits:
SD40PHL



HEAVY DUTY JACKING BEAMS FOR LIFTS

**FL60-I / FL120-I
FL160-I / FL200-I**



Capacity: 6 / 12 / 16 / 20 t
Stroke: 200 mm

Standard air hydraulic single ram jacking beam

Rapid and precise air hydraulic unit with high speed ram travel

Simple modern design with control panel at ergonomical working height

Can be made to fit all lifts due to its adjustable frame (590 - 890 mm or 850 - 1150 mm)

Frame height is adjusted and set to the customers individual specifications

Transversely sliding ram

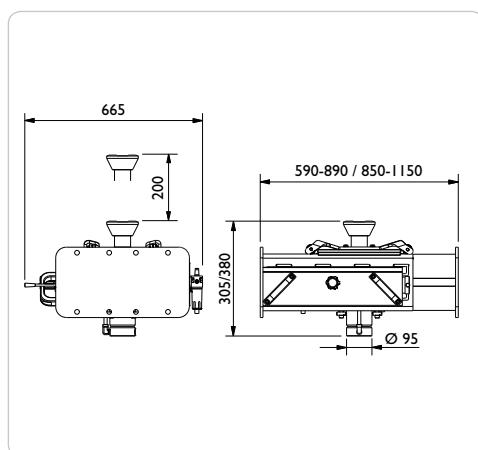
Dead man's release and safety overload valve for optimum safety

Supplied with 1 x 100 mm extension

When ordering fill out spec. form (page 49)



	FL60-I	FL120-I	FL160-I	FL200-I
Capacity	6 t	12 t	16 t	20 t
Stroke	200 mm	200 mm	200 mm	200 mm
Min. height	305 mm	380 mm	380 mm	380 mm
Max. height	505 mm	580 mm	580 mm	580 mm
Width	590-1150 mm	590-1150 mm	590-1150 mm	590-1150 mm
Depth	665 mm	665 mm	665 mm	665 mm
Air supply	8 - 12 bar	8 - 12 bar	8 - 12 bar	8 - 12 bar
Air consumption	350 l/min	350 l/min	350 l/min	350 l/min
Weight	200 kg	200 kg	200 kg	200 kg



* The capacity of the jacking beam cannot exceed 0,66 x the lift capacity

HEAVY DUTY JACKING BEAMS FOR LIFTS

FL60-2 / FLI20-2
FLI60-2 / FL200-2



Capacity: 6 / 12 / 16 / 20 t
 Stroke: 200 mm

Air hydraulic twin ram jacking beam

2 individually controlled rams offer safe and balanced lifting

Transversely sliding rams

Rapid and precise air hydraulic unit with high speed ram travel

Simple modern design with control panel at ergonomic working height

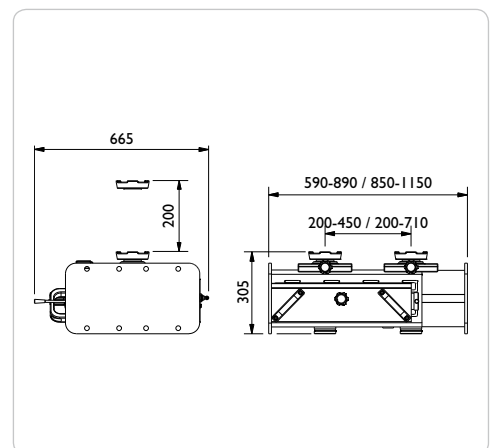
Can be made to fit all lifts due to its adjustable frame (590 - 890 mm or 850 - 1150 mm)

Frame height is adjusted and set to the customers individual specifications

Dead man's release and safety overload valve for optimum safety

Supplied with 2 x 100mm extensions

When ordering fill out spec. form (page 49)



	FL60-2	FLI20-2	FLI60-2	FL200-2
Capacity	6 t	12 t	16 t	20 t
Stroke	200 mm	200 mm	200 mm	200 mm
Min. height	305 mm	305 mm	305 mm	305 mm
Max. height	505 mm	505 mm	505 mm	505 mm
Width	590-1150 mm	590-1150 mm	590-1150 mm	590-1150 mm
Depth	665 mm	665 mm	665 mm	665 mm
Lifting points (distance)	200-710 mm	200-710 mm	200-710 mm	200-710 mm
Air supply	8 - 12 bar	8 - 12 bar	8 - 12 bar	8 - 12 bar
Air consumption	350 l/min	350 l/min	350 l/min	350 l/min
Weight	202 kg	202 kg	202 kg	202 kg

* The capacity of the jacking beam cannot exceed 0,66 x the lift capacity

PIT JACKS

GD100-I / GDI50-I / GD200-I



Capacity: 10 / 15 / 20 t
Stroke: 800 mm

Standard air hydraulic single ram pit jack

Rapid and precise air hydraulic unit with high speed ram travel

Simple modern design with control panel at ergonomical working height

Can be made to fit all pits due to its adjustable frame (590 - 890 mm or 850 - 1150 mm)

Frame height is adjusted and set to the customers individual specifications

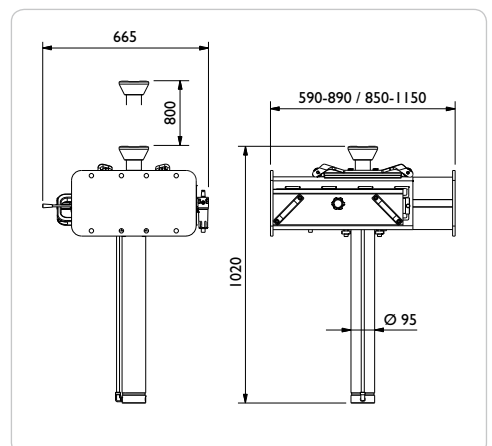
Fitted with leaf spring support bearings for easy glide transversing ram

Comprehensive option range: cross beam, gearbox saddle, support bridge etc.

When ordering fill out spec. form (page 50)



	GD100-I	GDI50-I	GD200-I
Capacity	10 t	15 t	20 t
Stroke	800 mm	800 mm	800 mm
Min. height	1020 mm	1020 mm	1020 mm
Max. height	1820 mm	1820 mm	1820 mm
Width	590-1150 mm	590-1150 mm	590-1150 mm
Depth	665 mm	665 mm	665 mm
Air supply	8 - 12 bar	8 - 12 bar	8 - 12 bar
Air consumption	350 l/min	350 l/min	350 l/min
Weight	220 kg	220 kg	220 kg



PIT JACKS

GD100-2 / GDI50-2 / GD200-2



Capacity: 10 / 15 / 20 t
Stroke: 420 mm

Air hydraulic twin ram pit jack

2 individually controlled rams offer safe and balanced lifting

Rapid and precise air hydraulic unit with high speed ram travel

Simple modern design with control panel at ergonomical working height

Transversely sliding rams

Can be made to fit all pits due to its adjustable frame (590 - 890 mm or 850 - 1150 mm)

Frame height is adjusted and set to the customers individual specifications

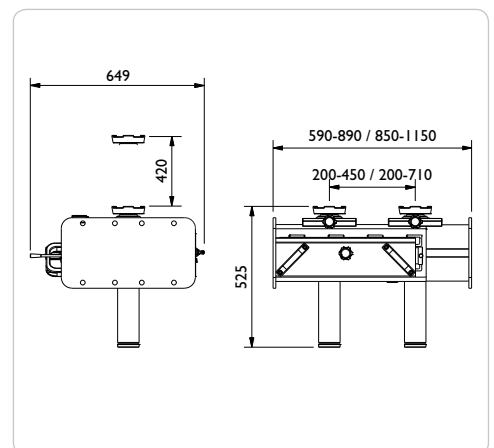
Comprehensive option range: cross beam, support bridge etc.

Supplied with 2 x100 mm extensions

When ordering fill out spec. form (page 50)



	GD100-2	GDI50-2	GD200-2
Capacity	10 t	15 t	20 t
Stroke	420 mm	420 mm	420 mm
Min. height	525 mm	525 mm	525 mm
Max. height	945 mm	945 mm	945 mm
Width	590-1150 mm	590-1150 mm	590-1150 mm
Depth	649 mm	649 mm	649 mm
Lifting points (distance)	200-710 mm	200-710 mm	200-710 mm
Air supply	8 - 12 bar	8 - 12 bar	8 - 12 bar
Air consumption	350 l/min	350 l/min	350 l/min
Weight	220 kg	220 kg	220 kg



PIT JACKS

GGDI 150



Capacity: 15 / 15 t
Stroke: 1200 mm

Air hydraulic floor pit jack with telescopic cylinder

Flexible pit jack for use both in pits and under vehicle lifts

Suitable for all traditional lifting jobs

Telescopic cylinder makes it ideal also for mounting and dismounting gearboxes

Built-in manual foot pump for easy and precise adjustment

Rapid and precise air hydraulic unit with high speed ram travel

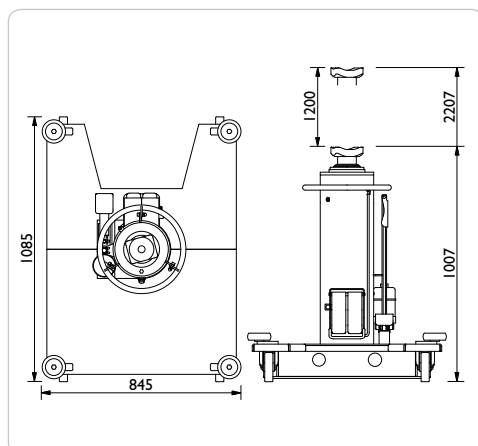
Spring loaded wheel support prevents unintended movements when lifting more than 800 kg

Dead man's release and safety overload valve for optimum safety



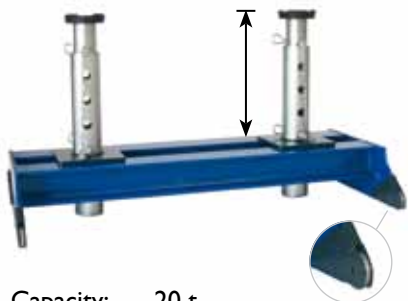
GGDI 150

Capacity	15 / 15 t
Stroke	1200 mm
Min. height	1007 mm
Max. height	2207 mm
Basewidth	845 mm
Basedepth	1085 mm
Cylinder diameter	Ø 55 mm
Air supply	12 bar
Air consumption	350 l/min
Weight	368 kg



OPTION – HEAVY DUTY JACKING BEAMS & PIT JACKS

AB



Capacity: 20 t

Support bridge

For safe and stable support of the vehicle

With leaf spring wheels for easy transport along the pit

Usable with various extensions and saddles: FG100, FG200, FW2 US

Fits:

GD100-1 / GD150-1 / GD200-1
GD100-2 / GD150-2 / GD200-2
GGD150

When ordering fill out spec. form (page 50)



S200



Capacity: 20 t

Integrated safety stand

Mechanical locking of the load prevents unintended lowering

Adjustable in 6 positions

Increases the minimum height of the pit jack by 65 mm

Fits:

GD100-1 / GD150-1 / GD200-1



AS3



Capacity: 1 t
Dimension: 530x380x120 mm

Gearbox saddle

12° tilt in all directions for accurate dismantling and re-mounting of gearboxes

Low minimum height for wide range of applications

Fitted with 2 straps

Fits:

GD100-1 / GD150-1 / GD200-1
GGD150



T4



Capacity: 15 t
Length: 902 mm

Cross beam adaptor

Ideal for supporting axle, whilst allowing work to be done on the differential gear

Offers increased safety – divides the load over 2 lifting points

Usable with various extensions and saddles: FG100, FG200, FW2, US

Increases min. height by 90 mm

Fits:

GD100-1 / GD150-1 / GD200-1
GGD150



OPTION – HEAVY DUTY JACKING BEAMS & PIT JACKS

T5



Capacity: 15 t
Length: 902 mm

Cross beam adaptor

Ideal for supporting axle, whilst allowing work to be done on the differential gear

Offers increased safety – divides the load over 2 lifting points

Usable with various extensions and saddles: FG100, FG200, FW2, US

Increases min. height by 136 mm

Fits:

FL60-2 / FL120-2
FL160-2 / FL200-2
GD100-2 / GD150-2 / GD200-2



T6



Capacity: 13 t
Length: 850-1350 mm

Cross beam adaptor

Hand wheel on the cross beam for easy and precise adjustment of lifting saddles without moving from the pit – ideal for inspection centres

Usable with various extensions and saddles: FG100, FG200, FW2, US

Increases min. height by 90 mm

Fits:

GD100-1 / GD150-1 / GD200-1
GGD150



LB



Capacity: 20 t

Diff beam

Allows use of both rams to lift at one point

Fits:

FL60-2 / FL120-2
FL160-2 / FL200-2
GD100-2 / GD150-2 / GD200-2



FLTR



Trolley

Practical trolley – designed for mounting and dismounting of heavy duty jacking beams on lifts

Fitted with revolving wheels for easy manoeuvrability

Fits:

FL60-1 / FL120-1
FL160-1 / FL200-1
FL60-2 / FL120-2
FL160-2 / FL200-2



OPTION – HEAVY DUTY JACKING BEAMS & PIT JACKS

FW2



Capacity: 10 t

V-saddle

Suitable for lifting under various axles

Fits:

FL60-1 / FL120-1
 FL160-1 / FL200-1
 FL60-2 / FL120-2
 FL160-2 / FL200-2
 GD100-1 / GD150-1 / GD200-1
 GD100-2 / GD150-2 / GD200-2



US



Capacity: 10 t

U-saddle

Suitable for lifting various chassis profiles

Fits:

FL60-1 / FL120-1
 FL160-1 / FL200-1
 FL60-2 / FL120-2
 FL160-2 / FL200-2
 GD100-1 / GD150-1 / GD200-1
 GD100-2 / GD150-2 / GD200-2



FG100 / FG200



Capacity: 10 t

Extension - FG100

Increases the lifting height by 100 mm

Extension - FG200

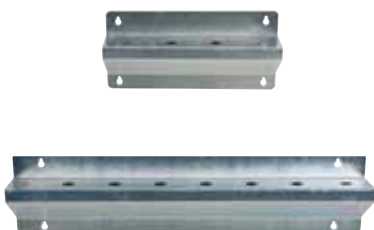
Increases the lifting height by 200 mm

Fits:

FL60-1 / FL120-1
 FL160-1 / FL200-1
 FL60-2 / FL120-2
 FL160-2 / FL200-2
 GD100-1 / GD150-1 / GD200-1
 GD100-2 / GD150-2 / GD200-2



VB1 / VB2



Wall bracket - VB1

Robust wall bracket for storage of extensions and saddles (4 pcs.)

Wall bracket - VB2

Robust wall bracket for storage of extensions and saddles (8 pcs.)



FOLD-AWAY WORKSHOP CRANES

WJN5 / WJN10



Capacity: 0,55 / 1,10 t

Hydraulic workshop crane for auto workshops and service vans

Foldable within seconds for quick and easy storage

When folded the crane takes up a minimum of space on the workshop floor

Jib arm with large lifting capacity – even in 5th position

* See capacity table

Hard chromium plated piston rod and pump piston for long life

Built-in safety overload valve

Fitted with 2 castors and 2 fixed wheels for easy manoeuvrability even with maximum load

Lifting hook pivots 360°

Hand operated dead man's release for optimum safety whilst lowering



WJN5EUR / WJN10EUR



Capacity: 0,55 / 1,10 t

Hydraulic workshop crane with parallel legs for pallets

Foldable within seconds for quick and easy storage

When folded the crane takes up a minimum of space on the workshop floor

Jib arm with large lifting capacity – even in 5th position

* See capacity table

Hard chromium plated piston rod and pump piston for long life

Built-in safety overload valve

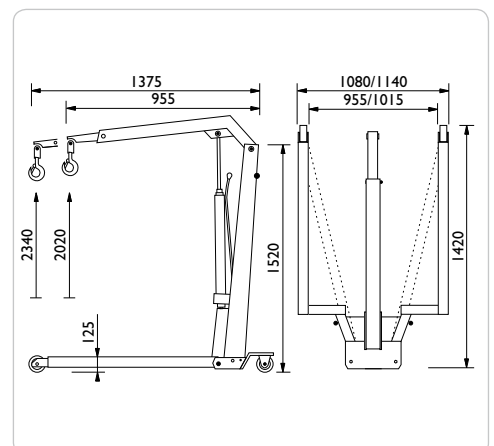
Fitted with 2 castors and 2 fixed wheels for easy manoeuvrability even with maximum load

Lifting hook pivots 360°

Hand operated dead man's release for optimum safety whilst lowering



	WJN5	WJN10	WJN5EUR	WJN10EUR
Capacity	0,55 t	1,10 t	0,55 t	1,10 t
Lifting height	2020 - 2340 mm	2020 - 2340 mm	2020 - 2340 mm	2020 - 2340 mm
Jib arm	955 - 1375 mm	955 - 1375 mm	955 - 1375 mm	955 - 1375 mm
Frame height	125 mm	125 mm	125 mm	125 mm
Frame length	1420 mm	1420 mm	1420 mm	1420 mm
Height	1520 mm	1520 mm	1520 mm	1520 mm
Inner width	955 mm	985 mm	975 mm	1015 mm
Frame width	1080 mm	1110 mm	1100 mm	1140 mm
Weight	75 kg	75kg	95 kg	95 kg



HEAVY DUTY COMMERCIAL CRANES

WN11 / WN15



Capacity: 1,1 / 1,5 t

Hydraulic workshop crane for auto workshops and industry

Commercial crane fitted with hard chromium plated piston rod and pump piston for longer life

Jib arm with large lifting capacity – even in 5th position

* See capacity table

Pump rotates 360° for excellent operation in all working conditions

Built-in safety overload valve

Wheels revolve 360° for easy manoeuvrability even with maximum load

Lifting hook pivots 360°

Hand operated dead man's release for optimum safety whilst lowering

Inner frame width enables use with Euro pallets



WN20 / WN25



Capacity: 2,0 / 2,5 t

Hydraulic workshop crane for auto workshops and industry

Commercial crane fitted with hard chromium plated piston rod and pump piston for long life

Jib arm with large lifting capacity – even in 5th position

* See capacity table

Pump rotates through 360° for excellent operation in all working conditions

Built-in safety overload valve

Wheels revolve 360° for easy manoeuvrability even with maximum load

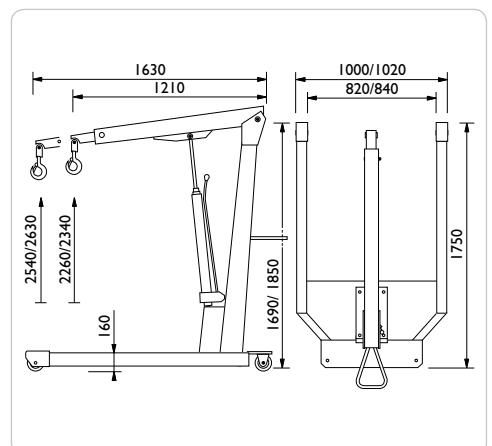
Lifting hook pivots 360°

Hand operated dead man's release for optimum safety whilst lowering

Inner frame width enables use with Euro pallets



	WN11	WN15	WN20	WN25
Capacity	1,1 t	1,5 t	2,0 t	2,5 t
Lifting height	2260 - 2540 mm	2260 - 2540 mm	2340 - 2630 mm	2340 - 2630 mm
Jib arm	1210 - 1630 mm	1210 - 1630 mm	1210 - 1630 mm	1210 - 1630 mm
Frame height	160 mm	160 mm	160 mm	160 mm
Frame length	1750 mm	1750 mm	1750 mm	1750 mm
Height	1690 mm	1690 mm	1850 mm	1850 mm
Inner width	820 mm	820 mm	840 mm	840 mm
Frame width	1000 mm	1000 mm	1020 mm	1020 mm
Weight	168 kg	175 kg	250 kg	255 kg



TRANSMISSION JACKS

VL3 / VL6 / VL10



Capacity: 0,3 / 0,6 / 1,0 t
Max. height: 1965 / 1965 / 2000 mm

Hydraulic transmission jack

- Pedal operated pump leaving both hands free for working
- Precise adjustment for positioning of transmission
- Hand operated dead man's release for optimum safety whilst lowering
- Galvanised support saddle and base frame
- Built-in safety overload valve
- Sturdy swivel castors for optimum stability and manoeuvrability
- Hard chromium plated piston rod and pump piston for long life
- Also suitable for many other lifting operations such as mounting of springs, fuel tanks, exhaust pipes etc.



VLT12



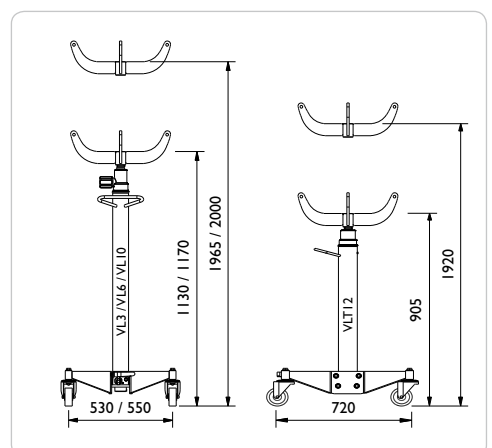
Capacity: 1,2 t
Max. height: 1920 mm

Hydraulic transmission jack with telescopic cylinder

- Especially for lifting heavy truck transmissions
- Ideal for workshop pits due to low minimum height and long stroke
- Pedal operated pump with built-in quick lift leaving both hands free for working
- Precise adjustment for positioning of transmission
- Hand operated dead man's release for optimum safety whilst lowering
- Galvanised support saddle and base frame
- Built-in safety overload valve
- Sturdy swivel castors (2 lockable) for optimum stability and manoeuvrability



	VL3	VL6	VL10	VLT12
Capacity	0,3 t	0,6 t	1,0 t	1,2 t
Min. height	1130 mm	1130 mm	1170 mm	905 mm
Max. height	1965 mm	1965 mm	2000 mm	1920 mm
Width	530 mm	530 mm	550 mm	720 mm
Weight	33 kg	33 kg	40 kg	70 kg
Wheel diameter	Ø 80 mm	Ø 80 mm	Ø 125 mm	Ø 125 mm



OPTION - TRANSMISSION JACKS

ASI



Capacity: 0,3 t
Dimension: 360x370 mm

Gearbox saddle for passenger vehicles

20° tilt in all directions for precise dismounting and re-mounting of gearboxes

Fits:
All models



AS3



Capacity: 1,0 t
Dimension: 530x380 mm

Commercial heavy duty gearbox saddle for passenger vehicles and trucks

12° tilt in all directions for precise dismounting/mounting of gearboxes

Low minimum height for wide range of applications

Fitted with 2 straps

Weight: 23 kg

Fits:
VL10
VLT12



S



Saddle

Suitable for mounting springs, fuel tanks, exhaust pipes etc.

Fits:
All models



GSI



Rubber cushion

To be used with the S-saddle for protection of car body

Fits:
S



WHEEL TROLLEYS

WTA500



Capacity: 500 kg

Hydraulic wheel trolley for vans, trucks and buses

Flexible and ergonomic wheel trolley for the easy removal of wheels and brake drums

Adjustable lifting arms for wheel sizes \varnothing 270 – 1300 mm

Lifting arms with roller bearings for easy rotation of the wheel into correct position

Pedal operated pump leaving both hands free for working

Bracket for easy securing of the wheel whilst transporting

Hand operated dead man's release for optimum safety whilst lowering

Ideal for lifting brake drums, fuel tanks, tool boxes etc.

With 2 pcs. 360° revolving wheels



WTK



Capacity: 250 - 100 kg

Crane arm for disc brakes, callipers, etc. (Option)

Mounted with the telescopic crane arm the wheel trolley is a universal lifting tool

The crane arm offers efficiency and good ergonomics when lifting disc brakes, brake drums, callipers, etc.

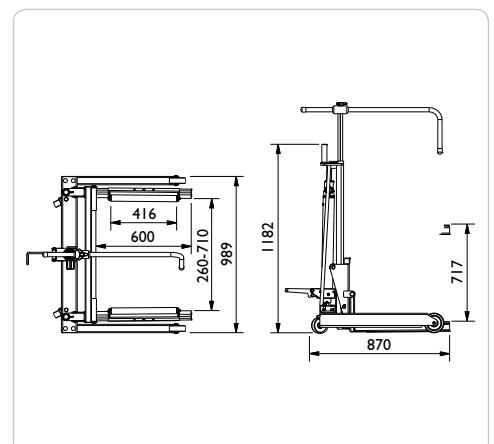
The crane arm easily swivels to one side to allow wheel removal operations to be carried out

Fitted with 360° pivoting hook



WTA500

Capacity	0,5 t
Height	1182 mm
Length	870 mm
Width	989 mm
Roller-/fork length	416 / 600 mm
Roller distance	260-710 mm
Lifting height	717 mm
Wheel sizes	\varnothing 270 - 1300 mm
Weight	100 kg



WHEEL TROLLEYS

WT1500



Capacity: 1,5 t

Mechanical wheel trolley for tractors, agricultural and contractors' machinery

Ergonomically designed for the easy and efficient removal of large wheels - also deep-treaded tractor tyres

Side-adjustable lifting arms for wheel diameters ranging 920-2300 mm

Robust safety wheel retaining bracket for the safe manoeuvring of the trolley

Precise and easy lifting and lowering by means of mechanical operation

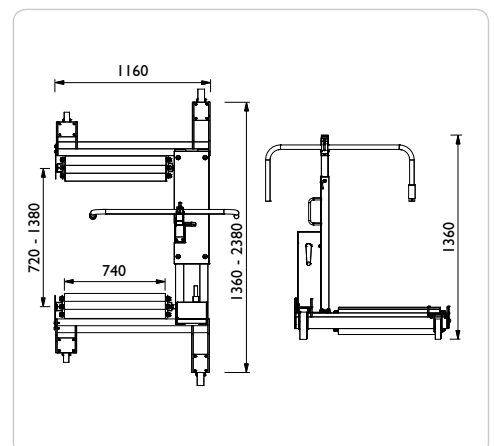
Excellent manoeuvrability due to the 4 large, heavy-duty revolving wheels

Lifting arms fitted with 3 roller bearings for ensuring the easy location of wheels



WT1500

Capacity	1,5 t
Height	1360 mm
Length	1160 mm
Width	1360 - 2380 mm
Roller length	740 mm
Roller distance	720 - 1380 mm
Roller diameter	Ø 80 mm
Wheel sizes	Ø 920 - 2300 mm
Weight	150 kg



PRESSES

PJ16H / PJ20H



Capacity: 16 / 20 t
Stroke: 150 mm

Hand hydraulic junior presses for passenger car workshops and light industry

Foot-operated pneumatically controlled high speed and precise ram approach to work piece

Traversing ram

Built-in pressure gauge at convenient eye level

Built-in safety overload valve

Welded frame and press table made from high strength steel for long life

Removable ram end cap for mounting of various piston heads

Supplied with 2 vee blocks



PJ25H



Capacity: 25 t
Stroke: 150 mm

Hand hydraulic junior press for passenger car workshops and light industry

Foot-operated pneumatically controlled high speed and precise ram approach to work piece

Traversing ram

Built-in pressure gauge at convenient eye level

Built-in safety overload valve

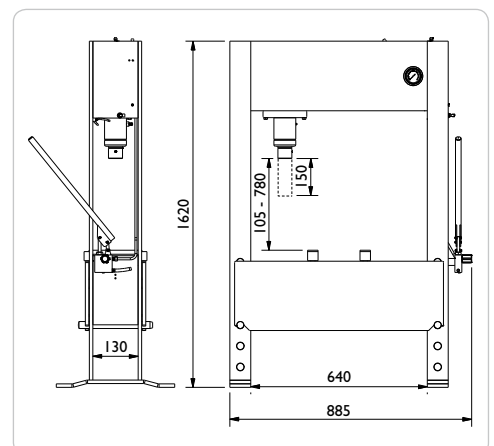
Welded frame and press table made from high strength steel for long life

Removable ram end cap for mounting of various piston heads

Supplied with 2 vee blocks



	PJ16H	PJ20H	PJ25H
Capacity	16 t	20 t	25 t
Stroke	150 mm	150 mm	150 mm
Height	1620 mm	1620 mm	1620 mm
Width	885 mm	885 mm	885 mm
Width between legs	640 mm	640 mm	640 mm
Depth between legs	130 mm	130 mm	130 mm
Clearance	105 - 780 mm	105 - 780 mm	105 - 780 mm
Weight	130 kg	130 kg	135 kg



PRESSES

P40H



Capacity: 40 t
Stroke: 300 mm

Hand hydraulic press for truck workshops and industry

Double-acting pneumatically controlled high speed and precise ram approach to work piece

Traversing ram

With 300 mm stroke for dealing with demanding jobs

Built-in pressure gauge at convenient eye level

Wide, welded frame and press table ensuring high flexibility

Ram-operated adjustment of table

Built-in safety overload valve

Removable ram end cap for mounting of various piston heads

Supplied with 2 vee blocks



P40EHI



Capacity: 40 t
Stroke: 300 mm

Electro-hydraulic press for truck workshops and industry

Electro-hydraulic single stage pump (Press speed: 6,1 mm/sec)

The pressure can be set to any required tonnage up to 40 t

Traversing double-acting ram

Long stroke of 300 mm

Built-in pressure gauge at convenient eye level

Wide, welded frame and press table

Ram-operated adjustment of table

Built-in safety overload valve

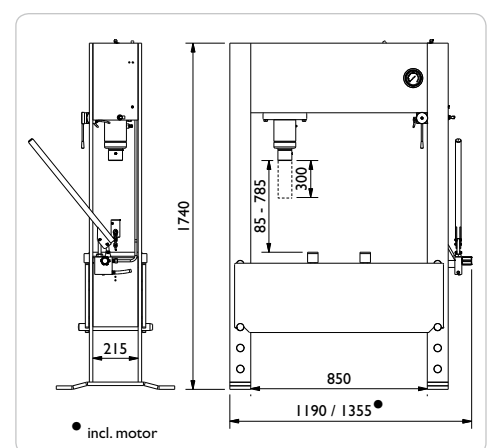
Removable ram end cap for mounting of various piston heads

The motor is 3x400V and 50/60 Hz (can be switched for 3x230V)

Supplied with 2 vee blocks



	P40H	P40EHI
Capacity	40 t	40 t
Stroke	300 mm	300 mm
Height	1740 mm	1740 mm
Width	1190 mm	1355 mm*
Width between legs	850 mm	850 mm
Depth between legs	215 mm	215 mm
Clearance	85 - 785 mm	85 - 785 mm
Press speed		6,1 mm/s
Return speed		7,9 mm/s
Weight	425 kg	445 kg



PRESSES

P60H



Capacity: 60 t
Stroke: 300 mm

Hand hydraulic press for truck workshops and heavy industry

Double-acting pneumatically controlled high speed and precise ram approach to work piece

Traversing ram

With 300 mm stroke for dealing with demanding jobs

Built-in pressure gauge at convenient eye level

Wide, welded frame and press table ensuring high flexibility

Ram-operated adjustment of table

Built-in safety overload valve

Removable ram end cap for mounting of various piston heads

Supplied with 2 vee blocks



P60EH1 / P60EH2



Capacity: 60 t
Stroke: 300 mm

Electro-hydraulic press for truck workshops and heavy industry

P60EH1: Single stage pump
Press speed: 4,2 mm/sec

P60EH2: 2-stage pump
Press speed: 10,0 mm/sec

The pressure can be set to any required tonnage up to 60 t

Traversing double-acting ram with long stroke of 300 mm

Built-in pressure gauge at convenient eye level

Ram-operated adjustment of table

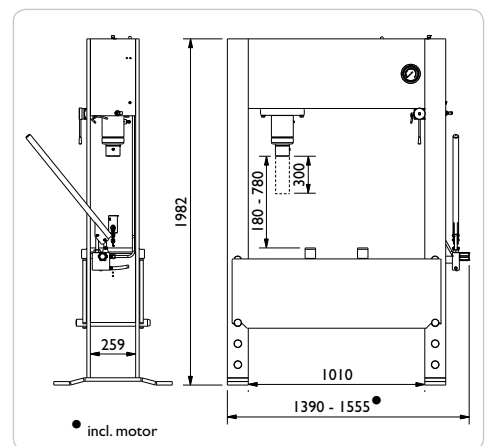
Removable ram end cap for mounting of various piston heads

The motor is 3x400V and 50/60 Hz (can be switched for 3x230V)

Supplied with 2 vee blocks



	P60H	P60EH1	P60EH2
Capacity	60 t	60 t	60 t
Stroke	300 mm	300 mm	300 mm
Height	1982 mm	1982 mm	1982 mm
Width	1390 mm	1555 mm*	1555 mm*
Width between legs	1010 mm	1010 mm	1010 mm
Depth between legs	259 mm	259 mm	259 mm
Clearance	180 - 780 mm	180 - 780 mm	180 - 780 mm
Press speed		4,2 mm/s	10,0 mm/s
Return speed		5,9 mm/s	14,5 mm/s
Weight	625 kg	630 kg	635 kg



PRESSES

PI00H



Capacity: 100 t
Stroke: 300 mm

Hand hydraulic press for truck workshops and heavy industry

Double-acting pneumatically controlled high speed and precise ram approach to work piece

Traversing ram

With 300 mm stroke for dealing with demanding jobs

Built-in pressure gauge at convenient eye level

Wide, welded frame and press table ensuring high flexibility

Ram-operated adjustment of table

Built-in safety overload valve

Removable ram end cap for mounting of various piston heads

Supplied with 2 vee blocks



PI00EH2



Capacity: 100 t
Stroke: 300 mm

Electro-hydraulic press for truck workshops and heavy industry

Electro-hydraulic 2-stage pump (Press speed: 6,2 mm/sec)

Traversing double-acting ram with long stroke of 300 mm

The pressure can be set to any required tonnage up to 100 t

Built-in pressure gauge at convenient eye level

Wide, welded frame and press table ensuring high flexibility

Ram-operated adjustment of table

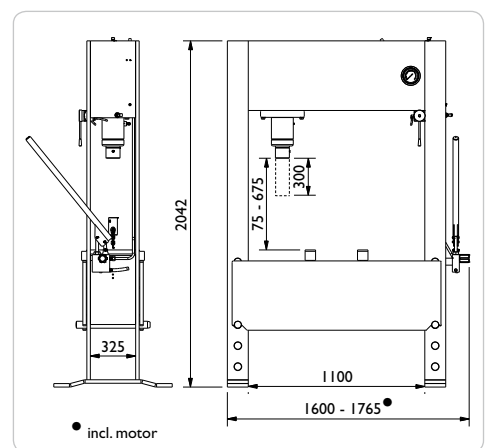
Removable ram end cap for mounting of various piston heads

The motor is 3x400V and 50/60 Hz (can be switched for 3x230V)

Supplied with 2 vee blocks



	PI00H	PI00EH2
Capacity	100 t	100 t
Stroke	300 mm	300 mm
Height	2042 mm	2042 mm
Width	1600 mm	1765 mm*
Width between legs	1100 mm	1100 mm
Depth between legs	325 mm	325 mm
Clearance	75 - 675 mm	75 - 675 mm
Press speed		6,2 mm/sec
Return speed		8,3 mm/sec
Weight	1200 kg	1215 kg



OPTION – PRESSES



Winch
Efficient and easy adjustment of press table

Fits:
PJ16H
PJ20H
PJ25H



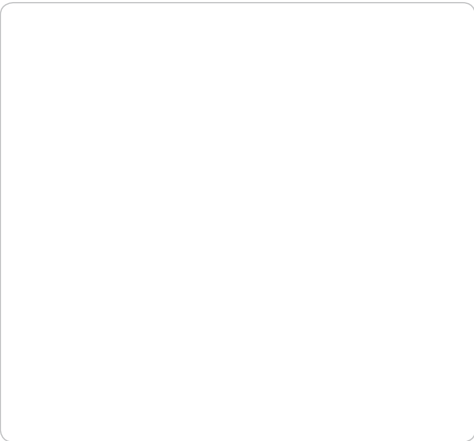
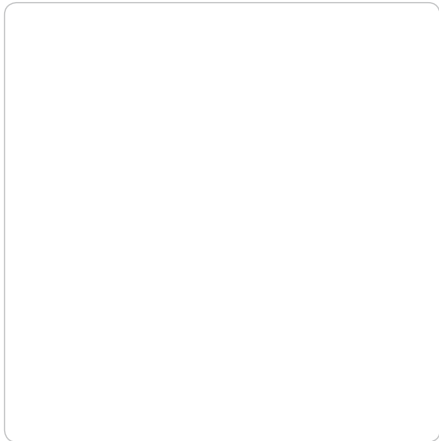
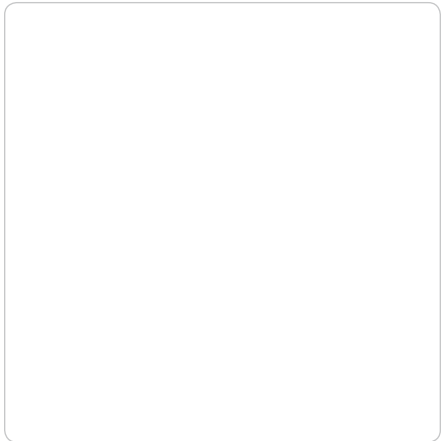
Set of press tools
Press plate with 3 piston heads (Ø 12, 20, 30 mm and adaptor)

Fits:
PJ16H
PJ20H
PJ25H



Set of press tools
Press plate with set of piston heads (Ø 10, 12, 15, 17, 20, 22, 25, 30 mm, adaptor and rack)

Fits:
All presses



AUTOLIFT

L20PH



Capacity: 2,0 t

Air hydraulic autolift

Practical and space saving with ideal working height

Suitable for many applications such as brake jobs, body and plate work, change of wheels, and painting

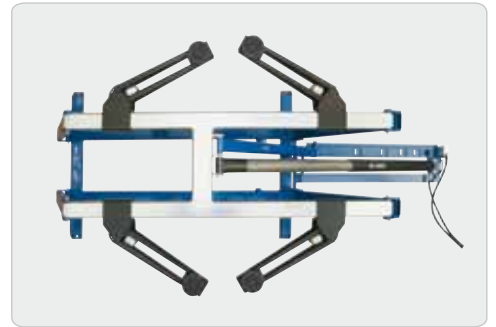
No installation costs required as the stable frame construction does not need fixing to the floor

Mechanical safety locking as well as lifting/lowering is operated via foot-controlled control box

Support arms adjustable in all directions and saddle height adjustable up to 58 mm

Hydraulic cylinder has protective covering and all pivot points/axles have grease nipples for easy maintenance

Transporter trolley for easy manoeuvrability (option)



TR



Trolley (Option)

For easy manoeuvrability



GSI



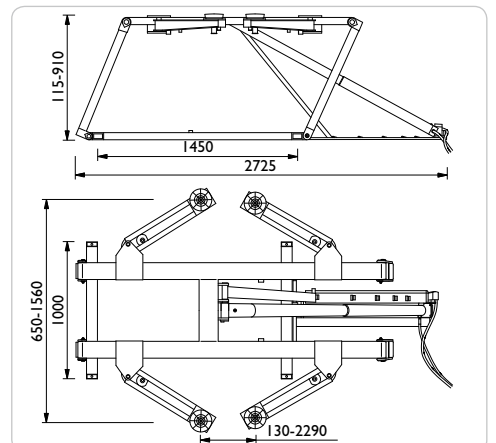
Rubber cushion (Option)

For protection of car body
(Order 4 units)



L20PH

Capacity	2,0 t
Min. height	115 mm
Max. height	910 mm
Width	1000 mm
Length	2725 mm
Lifting speed (loaded)	ca. 2 min
Air supply	9 - 12 bar
Air consumption	350 l/min
Net weight (lift)	193 kg
Net weight (box)	32 kg



DRUM TROLLEYS

DT300



Capacity: 300 kg

Hydraulic drum trolley with small wheels

Fitted with small wheels – especially designed for lifting of drums on drip pans

Ergonomical lifting of 200 l drums preventing work injuries

Automatic clamping device attaches/detaches when lifting and lowering the drums

Suitable for loading and unloading of drums on drip pans and into vans

Foot-operated pump for easy and safe operation

Hand operated dead man's release for optimum safety whilst lowering

Inner frame width enables use with Euro pallets



DT300H



Capacity: 300 kg

Hydraulic drum trolley with large wheels

Fitted with large wheels for easy manoeuvrability over long distances and on uneven surfaces

Ergonomical lifting of 200 l drums preventing work injuries

Automatic clamping device attaches/detaches when lifting and lowering the drums

Suitable for loading and unloading of drums on drip pans and into vans

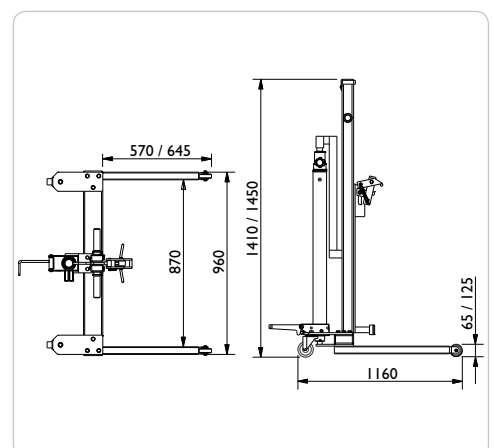
Foot-operated pump for easy and safe operation

Hand operated dead man's release for optimum safety whilst lowering

Inner frame width enables use with Euro pallets



	DT300	DT300H
Capacity	300 kg	300 kg
Min. height	1410 mm	1450 mm
Max. height	1915 mm	1955 mm
Lifting height	700 mm	700 mm
Width between legs	870 mm	870 mm
Outer width	960 mm	960 mm
Length (legs)	570 mm	645 mm
Height (legs)	65 mm	125 mm
Wheel diameter (castors / fixed)	Ø 65 / Ø 80 mm	Ø 125 / Ø 125 mm
Weight	67 kg	69 kg



BOTTLE JACKS

TYPE 1



Capacity: 2 - 10 t

Hydraulic bottle jack with single lift and extension screw

5 models with lifting capacities from 2-10 tonnes

With extension screw for optimum use of the stroke

Models with bevelled base (see table) offer increased stability and safety as the jack follows the tilt of the vehicle when lifting

3 part galvanized pump handle for easy storage

Jack can be used in horizontal position, as long as the pump piston is placed under the jack

Built-in safety overload valve



TYPE 2



Capacity: 12 - 50 t

Hydraulic bottle jack with single lift and extension screw for heavy duty lifting

5 models with lifting capacities from 12-50 tonnes

With extension screw for optimum use of the stroke

Models with bevelled base (see table) offer increased stability and safety as the jack follows the tilt of the vehicle when lifting

3 part galvanized pump handle for easy storage

Jack can be used in horizontal position, as long as the pump piston is placed under the jack

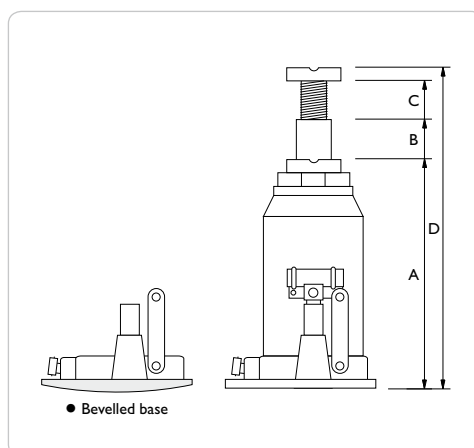
Fitted with practical carrying handle for easy transport

Built-in safety overload valve



Model	Cap.	Min. height (A)	Hydr. lift (B)	Ext. Screw (C)	Max. height (D)	Weight
A 2-170	2,0 t	170 mm	115 mm	92 mm	377 mm	3,5 kg
A 3,5-170	3,5 t	170 mm	115 mm	92 mm	377 mm	3,8 kg
A 5-212	5,0 t	212 mm	150 mm	100 mm	462 mm	4,7 kg
AX8-220	8,0 t	220 mm	150 mm	110 mm	480 mm	7,0 kg •
AX10-220	10,0 t	220 mm	150 mm	110 mm	480 mm	7,0 kg •
AX12-230	12,0 t	230 mm	157 mm	110 mm	497 mm	8,1 kg •
AX15-230	15,0 t	230 mm	155 mm	110 mm	495 mm	9,2 kg •
AHX20-240	20,0 t	240 mm	155 mm	110 mm	505 mm	11,5 kg •
AH25-240	25,0 t	240 mm	157 mm	118 mm	515 mm	14,3 kg •
A30-240	30,0 t	240 mm	142 mm	100 mm	482 mm	15,3 kg •
A50-250	50,0 t	250 mm	150 mm	-	400 mm	35,0 kg

• Bevelled base



BOTTLE JACKS

TYPE 3



Capacity: 3 - 12 t

Hydraulic bottle jack with double lift telescopic rams for extra long stroke

5 models with lifting capacities from 3-12 tonnes

Models with spindle extension offer optimum use of the stroke

ATN10-175 has horizontal pumping action and is therefore ideal for vehicles with low clearance

Models with bevelled base (see table) offer increased stability and safety as the jack follows the tilt of the vehicle when lifting

3 part galvanised pump handle for easy storage

Built-in safety overload valve



TYPE 4



Capacity: 4 t & 10 t

Hydraulic bottle jack with single lift ram for vehicles with high clearance

2 special models with lifting capacities of 4 or 10 tonnes

Large stroke makes them ideal for lifting e.g. agricultural machines

3 part galvanised pump handle for easy storage

ADX 10-370 with bevelled base offer increased stability and safety as the jack follows the tilt of the vehicle when lifting

Jack can be used in horizontal position, as long as the pump piston is placed under the jack

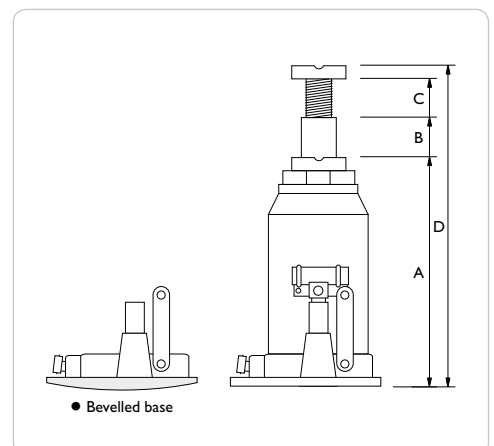
Built-in safety overload valve



Model	Cap.	Min. height (A)	Hydr. lift (B)	Ext. Screw (C)	Max. height (D)	Weight
ATDX3-185	3,0 t	185 mm	215 mm	-	400 mm	5,0 kg •
A5-215	5,0 t	215 mm	305 mm	-	520 mm	7,2 kg •
ATD10-120	10,0 t	120 mm	100 mm	-	220 mm	7,5 kg •
ATN10-175	10,0 t	175 mm	210 mm	-	385 mm	8,7 kg •
ATG10-200	10,0 t	200 mm	262 mm	65 mm	530 mm	10,2 kg •
ATPX12-230	12,0 t	230 mm	255 mm	85 mm	570 mm	13,4 kg •
ADX4-370	4,0 t	370 mm	260 mm	-	630 mm	7,3 kg
ADX10-370	10,0 t	370 mm	260 mm	-	630 mm	10,5 kg •
ALX15-274	15,0 t	274 mm	202 mm	-	586 mm	9,8 kg •

• Bevelled base

All models can be used in temperatures ranging from -20° to 70° C



AIRCRAFT JACKS

65-IAP



Capacity: 65 t
Max. height: 431 mm

Air hydraulic aircraft jack

Compact and slim design for easy operation and manoeuvrability
Telescopic handle increases the reach under the aircraft to 2170 mm and offers easy and safe operation

The jack can be operated by either compressed-air, nitrogen from the aircraft wheels or a mobile nitrogen service cart

Fitted with extension screw (80 mm) for optimum use of the stroke

Rapid ram retraction without load

Safety features include manual lowering valve, safety overload valve and dead mans release

Designed and manufactured according to the aircraft standards: EN1915:2001 and EN12312:2005



MLG - Main Landing Gear

Airbus

A300 / A310

Boeing

B707 / 720

B717

B737-100 / -200 / -300 / -400 / -500

B737-600 thru -900

B757 / -200 / -300

B767-200 / 300

McDonnell Douglas

DC8

DC9

NLG - Nose Landing Gear

Airbus

A300/A310

A330-300

A340-200 / -300 / -500 / -600

Boeing

B707 / 720

B727

B767-200 / -300 / -400ER

B777-200 / -300 / -300ER

McDonnell Douglas

MD11

DC10

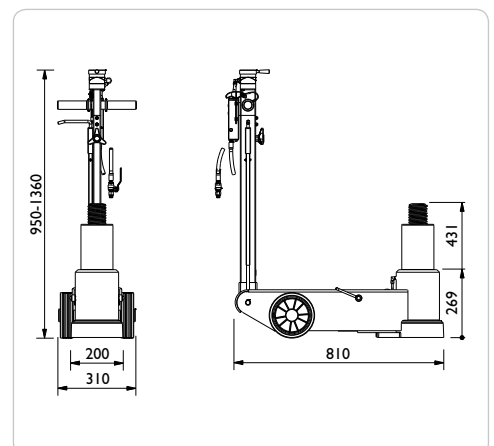
Lockheed

L1011



65-IAP

Capacity	65 t
Min. height	269 mm
Max. height	431 mm
Frame length	810 mm
Handle length	950 - 1360 mm
Width	200 mm
Width (with wheels)	310 mm
Air supply	9 - 12 bar
Air consumption	350 l/min
Weight	85 kg



AIRCRAFT JACKS

65-IAPH



Capacity: 65 t
Max. height: 520 mm

Air hydraulic aircraft jack with extra long stroke

Compact and slim design for easy operation and manoeuvrability
Telescopic handle increases the reach under the aircraft to 2293 mm and offers easy and safe operation
The jack can be operated by either compressed-air, nitrogen from the aircraft wheels or a mobile nitrogen service cart
Fitted with extension screw (80 mm) for optimum use of the stroke
Rapid ram retraction without load
Safety features include manual lowering valve, safety overload valve and dead mans release
Designed and manufactured according to the aircraft standards: EN1915:2001 and EN12312:2005



MLG - Main Landing Gear

Airbus
A300 / A310
A319 / A320 / A321 (MLG-single only)
A330-300
A340-200 / -300

Boeing
B717
B727
B737-100 / -200 / -300 / -400 / -500
B737-600 thru -900
B767-400ER

McDonnell Douglas
MD11
DC8
DC9
DC10

Lockheed
L1011

NLG - Nose Landing Gear

Airbus
A340 / -500 / -600

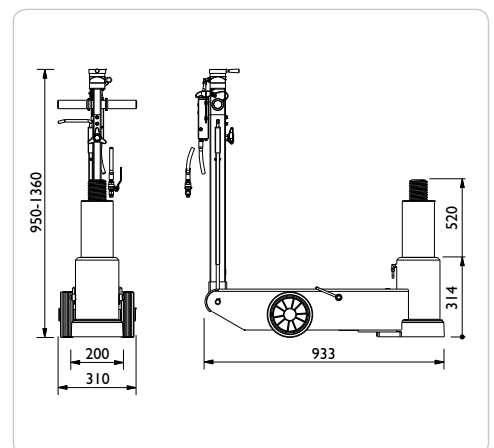
Boeing
B727
B767-200 / -300 / -400ER
B777-200 / -300 / -300ER

McDonnell Douglas
MD11



65-IAPH

Capacity	65 t
Min. height	314 mm
Max. height	520 mm
Frame length	933 mm
Handle length	950 - 1360 mm
Width	200 mm
Width (with wheels)	310 mm
Air supply	9 - 12 bar
Air consumption	350 l/min
Weight	94 kg



AIRCRAFT JACKS

25-2AP



Capacity: 25 / 10 t
Max. height: 260 / 364 mm

Air hydraulic aircraft jack

Compact and slim design for easy operation and manoeuvrability
Telescopic handle increases the reach under the aircraft to 2125 mm and offers easy and safe operation

The jack can be operated by either compressed-air; nitrogen from the aircraft wheels or a mobile nitrogen service cart

Rapid ram retraction without load
Safety features include manual lowering valve, safety overload valve and dead mans release

Designed and manufactured according to the aircraft standards: EN1915:2001 and EN12312:2005



MLG - Main Landing Gear

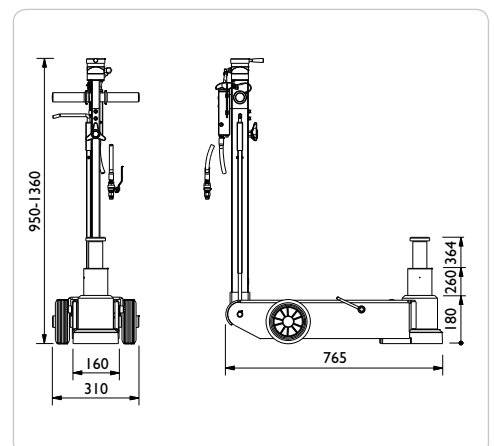
NLG - Nose Landing Gear

Boeing
B737-100 / -200 / -300 / -400 / -500
B737-600 thru -900



25-2AP

Capacity	25 / 10 t
Min. height	180 mm
Max. height	260 / 364 mm
Frame length	765 mm
Handle length	950 - 1360 mm
Width	160 mm
Width (with wheels)	310 mm
Air supply	9 - 12 bar
Air consumption	350 l/min
Weight	56 kg



AIRCRAFT WHEEL TROLLEY

WTA500



Capacity: 500 kg

Hydraulic wheel trolley for removal of wheels and brake drums on aircrafts

Flexible and ergonomic wheel trolley for the easy removal of wheels and brake drums

High lifting height (717 mm) makes it ideal for lifting e.g. wheels and brake drums off a transport wagon

Adjustable lifting arms for wheel sizes \varnothing 270 – 1300 mm

Lifting arms with roller bearings for easy rotation of the wheel into correct position

Pedal operated pump leaving both hands free for working

Hand operated dead man's release for optimum safety whilst lowering

With 2 pcs. 360° revolving wheels



WTK



Capacity: 250 - 100 kg

Crane arm for disc brakes, callipers, etc. (Option)

Mounted with the telescopic crane arm the wheel trolley is a universal lifting tool

The crane arm offers efficiency and good ergonomics when lifting disc brakes, brake drums, callipers, etc.

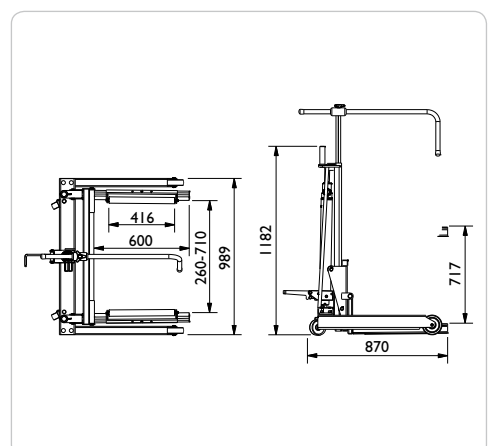
The crane arm easily swivels to one side to allow wheel removal operations to be carried out

Fitted with 360° pivoting hook



WTA500

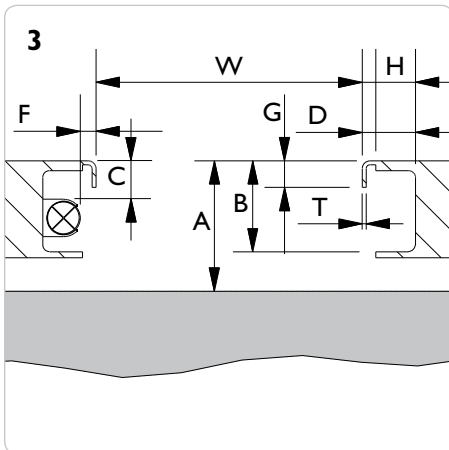
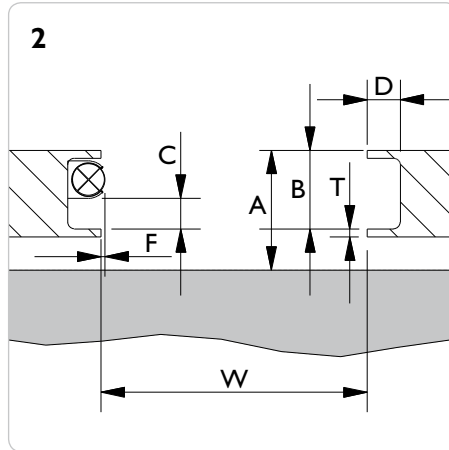
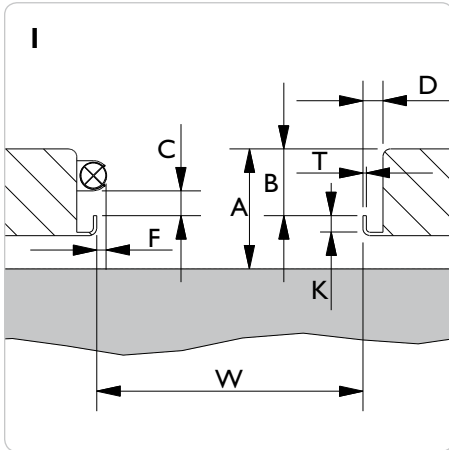
Capacity	0,5 t
Height	1182 mm
Length	870 mm
Width	989 mm
Roller-/fork length	416 / 600 mm
Roller distance	260 - 710 mm
Lifting height	717 mm
Wheel sizes	\varnothing 270 - 1300 mm
Weight	100 kg



LIFT SPECIFICATION FORM

PRODUCT: **FL** - Heavy duty jacking beam 6 t 12 t 16 t 20 t
SD - jacking beam 2 t 2,6t 4 t

Lift: _____ **Model:** _____ **Capacity:** _____ **Year:** _____



4 Drawing

Drawing no.: _____

- W = _____ mm
- A = _____ mm
- B = _____ mm
- D = _____ mm
- G = _____ mm
- H = _____ mm
- K = _____ mm
- T = _____ mm

If the lift is mounted with light or other obstructing parts, please fill out C and F:

- C min. = _____ mm
- F max. = _____ mm

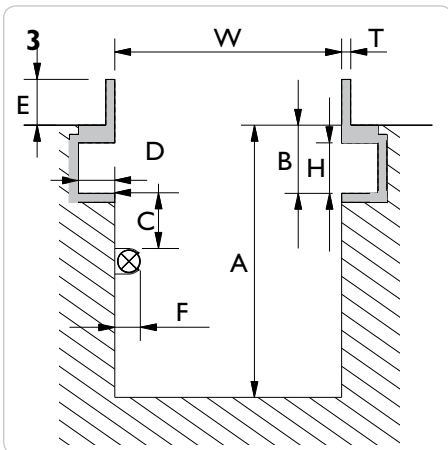
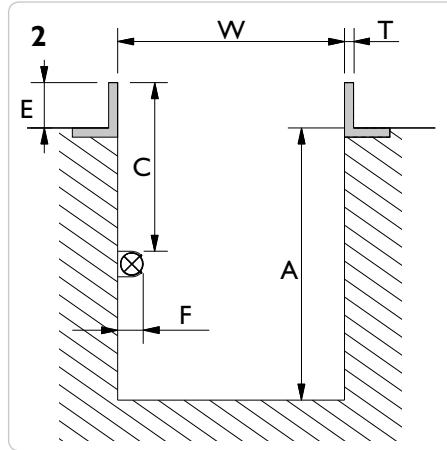
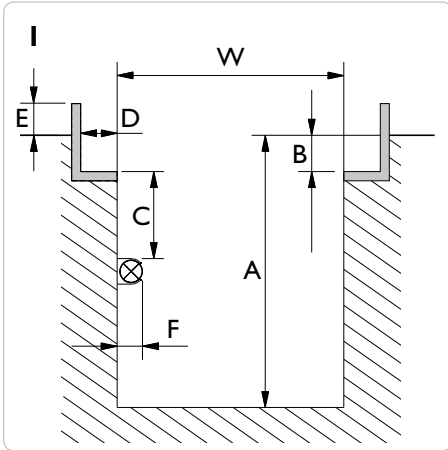
Rail profile

PLEASE NOTE: It is the customer's responsibility that the given measures are correct and sufficient.
Cf. EN1493:1998 the capacity of the jacking beam cannot exceed 0,66 x the capacity of the lift.
 (A 2 t jacking beam on a 3 t lift is okay - but not a 2,6 t).

Date: _____ **Measured by:** _____ **Dealer:** _____ **Signature:** _____

PIT SPECIFICATION FORM

PRODUCT: **FL** - Heavy duty jacking beam 6 t 12 t 16 t 20 t **AB** - Support bridge 20 t
GD - Pit jack 10 t 15 t 20 t
SD - Jacking beam 2 t 2,6 t 4 t



4 Drawing

Skitse nr.: _____

Please measure various places along the length of the pit. **Max 12 mm variation between W min og W max. throughout the pit length**

W min. = _____ mm
W max. = _____ mm
A min. = _____ mm
B = _____ mm
D = _____ mm
E = _____ mm
H = _____ mm
T = _____ mm

If the pit is mounted with light or other obstructing parts, please fill out C and F:

C min. = _____ mm
F max. = _____ mm

Placing of saddle

The placing of top saddle **excluding** cross beam adaptor, safety stand and extensions is required:

above workshop floor _____ mm
 levelling with workshop floor
 below workshop floor _____ mm

The top of the cylinder will be positioned +/- 50 mm according to requested level

Option

Please note, mounting of different options will increase the min. height:

Cross beam adaptor T4 = 90 mm
 Cross beam adaptor T5 = 136 mm
 Cross beam adaptor T6 = 90 mm
 Safety stand S200 = 65 mm

Rolltype / Rail profile

Conical/tilted Cylindrical/straight

PLEASE NOTE: It is the customer's responsibility that the given measures are correct and sufficient and that the pit is built and anchored to withstand the designated loading.

Date: _____ **Measured by:** _____ **Dealer:** _____ **Signature:** _____

