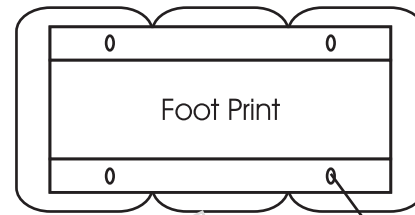
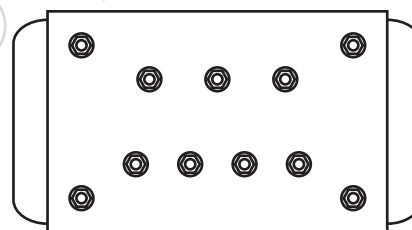
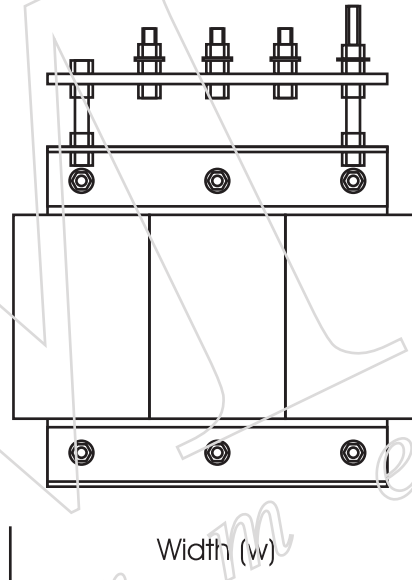


# Three phase double wound transformers

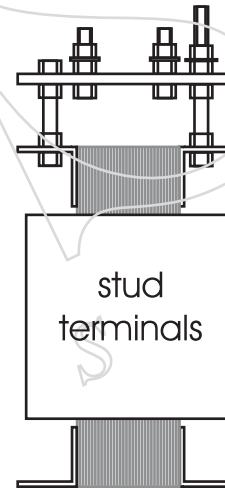
kVA	w	h	d	fw	fd	kg
50va	150	150*	100	115	50	2.2
150va	150	155*	110	115	560	4.5
500va	180	170*	130	115	80	10.8
1kva	270	230*	150	150	80	15.5
2kva	270	230*	170	150	100	22.3
3kva	300	280*	170	150	100	34.7
4kva	300	280*	180	150	110	40.1
5kva	300	280*	190	150	120	46.3
6kva	300	280*	200	150	130	51.6
7.5kva	300	280*	210	150	140	57.9
10kva	360	400	240	190	120	66.9
15kva	420	450	300	190	150	113.6
20kva	420	450	360	190	170	136.4
25kva	480	500	360	400	190	179
30kva	480	500	390	400	200	193
40kva	480	500	450	400	220	223
50kva	600	650	420	400	210	320
60kva	600	650	450	400	220	350
75kva	600	650	480	400	230	380
90kva	600	650	540	400	250	420
100kva	600	650	600	400	270	465
150kva	760	750	600	500	290	669
200kva	820	800	630	500	300	825
300kva	860	850	690	500	320	1050
400kva	940	900	750	500	340	1290
500kva	1240	1150	630	500	300	1954
750kva	1240	1150	840	500	370	2545



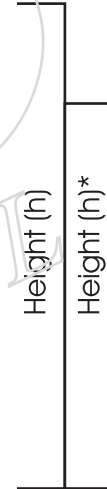
Fixing width (fw) Slot Size (ss)



Fixing Depth (fd)



stud terminals



screw terminals

Height (h)

Height (h)\*

## Features

- Galvanised mounting frames
- Insulation class F 155°C
- Low temperature rise
- High efficiency design
- Screw or stud terminals based on VA
- Colour coded terminal shrouds
- Engraver stud terminal board
- Varnish impregnated
- 100% tested
- 12 month warranty

Manufactured to requirements of BS EN 60742  
BS171 and BS EN 601558

# JMS

Transformers Ltd

