

AV mounting systems

Q4-2009

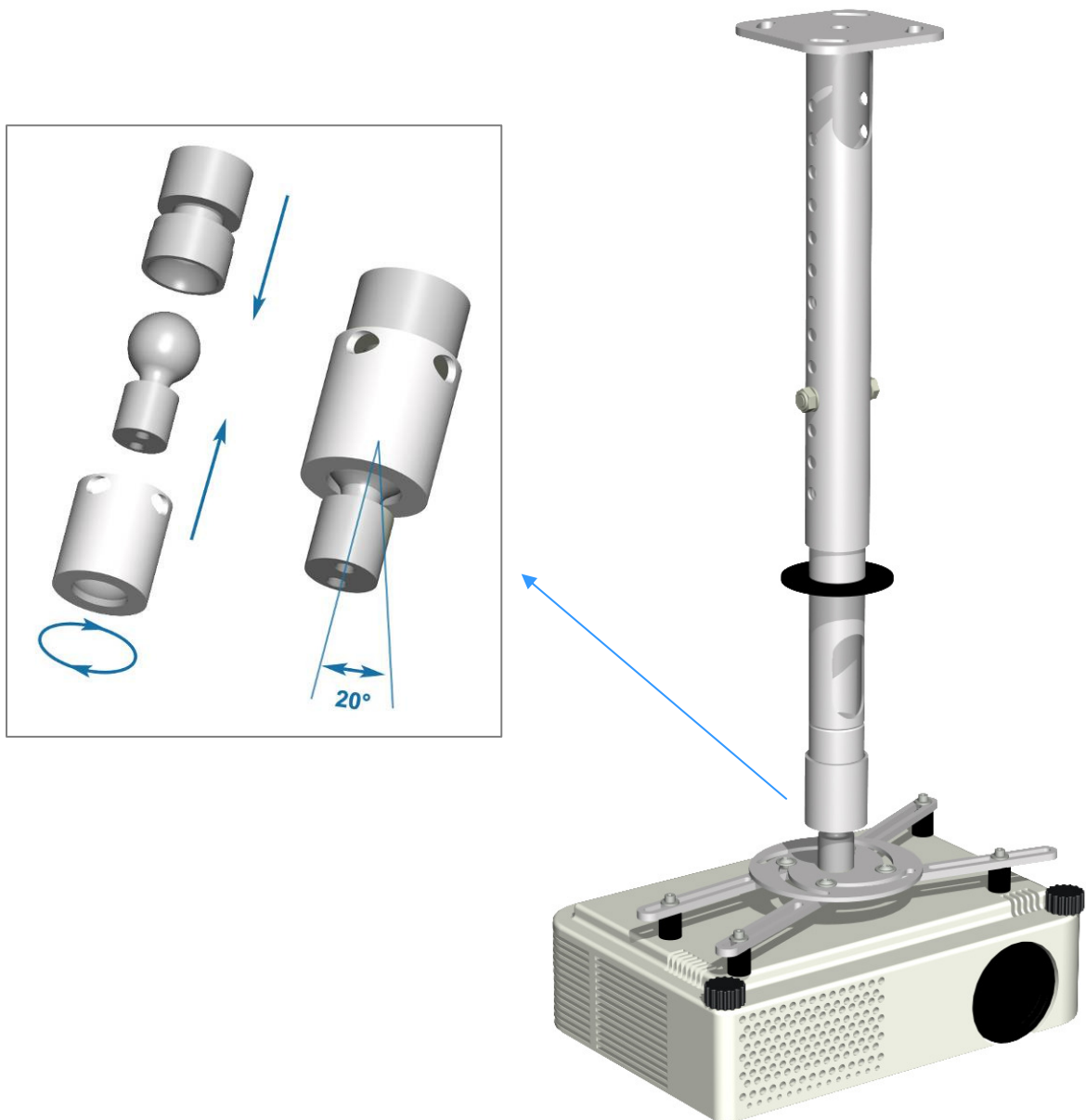


<i>Table of content</i>	1
<i>SmartMetals® projector mounts</i>	2
<i>Universal tube sets</i>	3
<i>Separate tube sets</i>	4
<i>Mirror kit & anti-theft set</i>	5
<i>Universal projector housings</i>	6
<i>Short throw projector mounts</i>	7
<i>Short throw projector housing</i>	8
<i>Rental mounts for projectors</i>	9
<i>Accessories projector mounts</i>	10-13
<i>SmartMetals® flat screen mounts</i>	14
<i>VESA flat screen mounts</i>	15-16
<i>Universal flat screen mounts</i>	17-18
<i>Tube sets for flat screen mounts</i>	19
<i>Stand</i>	20
<i>Stand configurations</i>	21-22
<i>Stand parts</i>	23-25
<i>Stand accessories</i>	26-27

Our general terms and conditions will apply to all transactions; of which an example will be sent on the first request. By acceptance of any transaction, we wish to receive a signed copy of these general terms and conditions via fax nr.: +31(0)183-352909. In case of differences the authorized court in Utrecht, the Netherlands, will receive acquaintance of the matter.

Projector mounts for securing projectors to a ceiling or truss. Sky-Lite designed a complete product line of projector mounts in various standard lengths. All mounts include a ball joint, which can be fastened without the need of tools. The bracket and the installed projector can be attached to this ball joint.

For special projects we have the additional possibility to produce a custom-made set. This could relate to a special dimension as well as a special colour. Regarding these special deliveries we work in close consultation with the customer. Please contact us for further information.



The universal tube sets ensure that nearly any type of projector can be mounted. These sets are available in various standard lengths and are adjustable in height. The tubes include a cable duct and mounting a truss clamp to the sets is possible. Slotted holes in the top plate allow easy fixation. The sets are practically entirely pre-mounted: only the arms need to be fixed onto the correct position. This saves time during installation. Proper finishing of the suspended ceiling is ensured by a black ring.

Contents of a complete set:

- Tube set
- Universal bracket with 4 small arms
- Extensive set of bolts and spacers: M3, M4, M5, and M6 in various lengths
- User manual

- 002.1440** Universal set 1, fixed length 9 cm
 - 002.1441** Universal set 1, fixed length 9 cm for the truss clamp
 - 002.1460** Universal set 2, 45 up to and including 70 cm*
 - 002.1461** Universal set 3, 70 up to and including 115 cm
 - 002.1462** Universal set 4, 100 up to and including 145 cm
 - 002.1463** Universal set 5, 125 up to and including 170 cm
- * shortening to 24 cm is possible



The SmartMetals® tube sets are also available without a universal bracket. The sets are available in various standard lengths and are adjustable in height. The tubes include a cable duct and it is possible to mount a trigger clamp to the set. Slotted holes in the top plate allow easy fixation. The sets are practically entirely pre-mounted, saving time during installation. The proper finishing of the ceiling set is ensured by a black ring.

The *straight tube sets* should be combined with a universal or projector specific bracket plate. These brackets have been designed for a specific brand or type of projector. For projects by which a large number of identical projectors will be used, this could save money.

The *angled tube sets* can be used for wall or ceiling mounting the projector. Furthermore, these sets are necessary when mounting the mirror set.

Straight tube set(excl. bracket)

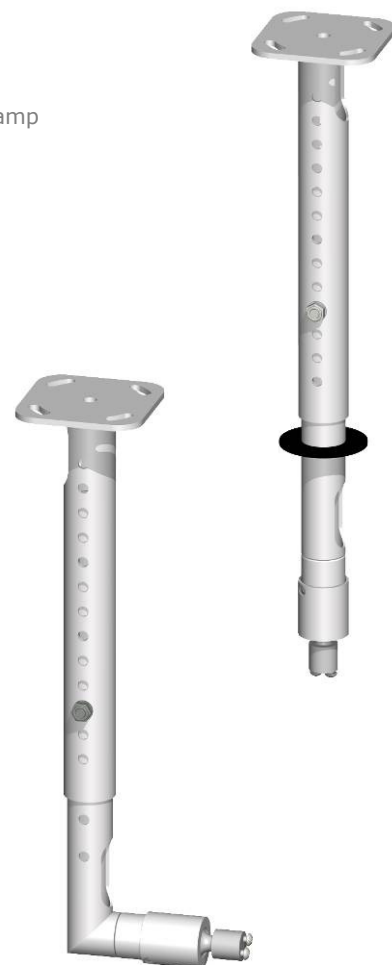
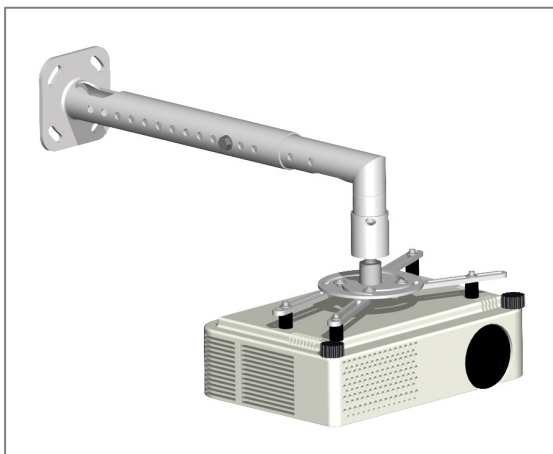
- 002.1040** Straight set 1, fixed length 9 cm
 - 002.1041** Straight set 1, fixed length 9 cm for the truss clamp
 - 002.1060** Straight set 2, 45 up to and including 70 cm*
 - 002.1061** Straight set 3, 70 up to and including 115 cm
 - 002.1062** Straight set 4, 100 up to and including 145 cm
 - 002.1063** Straight set 5, 125 up to and including 170 cm
- * shortening to 24 cm is possible

Angled tube sets (excl. bracket)

- 002.1560** Angled set 2, 35 up to and including 63 cm*
 - 002.1561** Angled set 3, 63 up to and including 100 cm
 - 002.1562** Angled set 4, 87 up to and including 135 cm
 - 002.1563** Angled set 5, 115 up to and including 160 cm
- * shortening to 12 cm is possible

Separate brackets

- 002.1000** Universal bracket
- 002.1001** Projector specific bracket



Stainless steel mirror set

The mirror set allows the positioning of a projector above the suspended ceiling. The mirror of this set will be mounted directly below the suspended ceiling. By means of a ball joint projection in the proper angle is ensured. All visible parts below the ceiling are made of stainless steel.

The mirror set is to be combined with an angled tube set and a projector specific bracket.

The advantages:

- Theft delaying mechanism
- No visible projector and cables
- Sound reduction

002.2000 Stainless steel mirror set

Angled tube sets (excl. bracket)

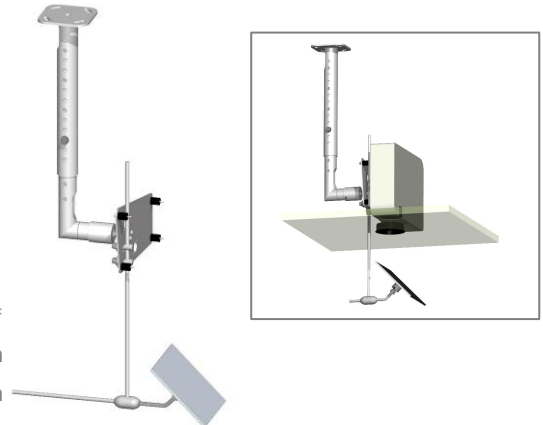
002.1560 Angled set 2, 35 up to and including 63 cm*

002.1561 Angled set 3, 63 up to and including 100 cm

002.1562 Angled set 4, 87 up to and including 135 cm

002.1563 Angled set 5, 115 up to and including 160 cm

* shortening to 12 cm is possible



Separate brackets

002.1001 Projector specific bracket (mention brand and type when ordering)

Anti-theft set

When an anti-theft set is used, stealing a projector will become much more difficult. The suspension points of the projector are hidden by means of a heavy steel cable. This steel cable runs via the cable duct of the tube set to the ceiling. The cable is then secured to a special module, which in itself is locked by a disc lock. This set can be used for universal as well as for projector specific brackets.

The advantages:

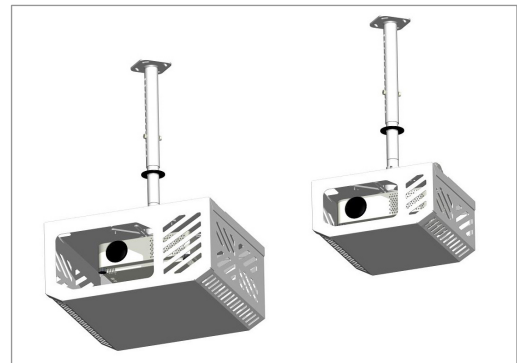
- Theft delaying mechanism
- Barely visible when compared to a housing



003.2020 Anti-theft set



A housing or cage construction protects the projector against theft. The projector is installed in combination with a universal housing and a straight tube set. The housing is fitted with a universal bracket and a ball joint to fix the projector in the right position. Because of its clever design, projectors with a lens at the left-hand side, in the centre or right-hand side can be installed in the housing. Housings are available in several dimensions.

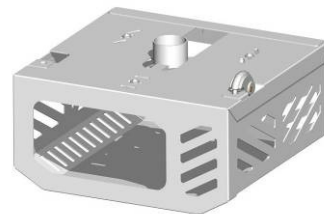


The housing can be easily installed. Moreover the projector is easily accessible when maintenance is required. In order to lock the housing and tube set, an optional lock set is required. This lock set should be ordered separately. The projector housings need to be combined with a straight/angled tube set.

002.3010

Universal projector housing, small:

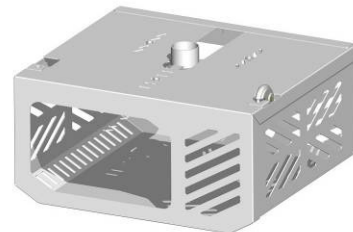
- Max. dimension of the projector (wxdxh)
350x330x110mm
- To be combined with each separate projector tube set of SmartMetals



002.3030

Universal projector housing, medium:

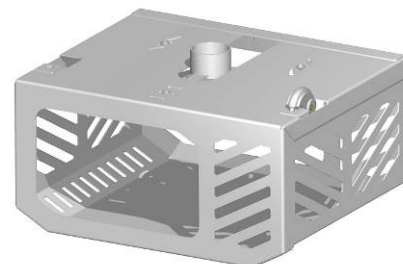
- Max. dimension of the projector (wxdxh)
400x330x150mm
- To be combined with each separate projector tube set of SmartMetals



002.3020

Universal projector housing, large:

- Max. dimension of the projector (wxdxh)
490x430x180mm
- To be combined with each separate projector tube set of SmartMetals



000.3000

Lock set for the projector housing and tube set



New developments within the projector market make it possible to project an image from a shorter distance without deteriorating projection size and sharpness. This situation brings along additional demands for the adjustment within projector mounts.



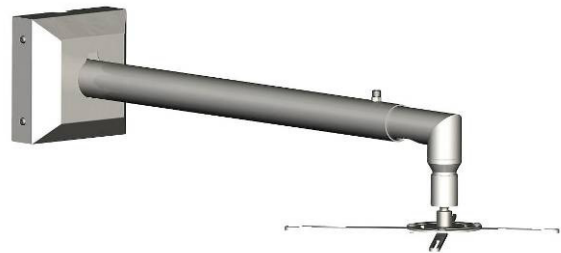
The newest SmartMetals® short throw projector mounts are made especially for the purpose of more accurately and faster adjustment of the projector. Specifically for the ultra short throw projectors like the Hitachi A100 series and the Sanyo PLC-XL50, Sky-Lite integrated a unique precision adjustment in a new mount what inclines and tilts from the heart of the lens.

This system is directly derived from the fine adjustment in our 'rental' range and has proven itself in several rental situation as a fast and simple implementable adjustment possibility.

002.1570

Universal continuous wall mount o.b.o. short throw projectors:

- Continuous length adjustment from 85-135cm
- Including universal projector bracket
- Including mounting material



002.1800

Ultra short throw wall mount with fine adjustment o.b.o.:

Hitachi A100 series

- 5° pan- and tiltable
- Adjustable horizontally and vertically
- Including mounting material



002.1810

Ultra short throw wall mount with fine adjustment o.b.o.:

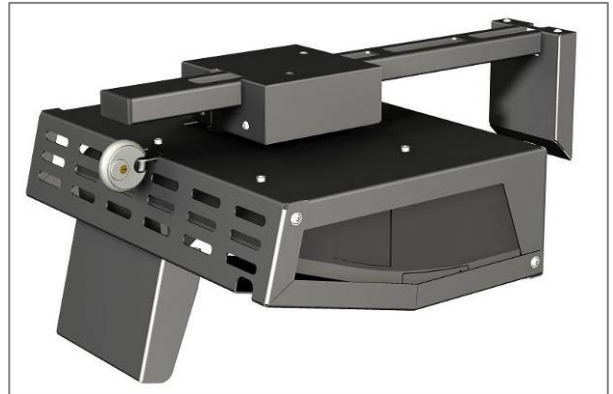
Sanyo PLC-XL50/51

- 5° pan- and tiltable
- Adjustable horizontally and vertically
- Including mounting material



There came a growing demand to also develop a housing for the Hitachi A100 series. This SmartMetals® housing construction protects the projector against theft and damages; also a protection cap is integrated for the mirror. The projector is installed in combination with the ultra short throw wall mount for the Hitachi A100 series (002.1800).

The projector stays easy accessible when maintenance is required. In order to lock the housing and wall mount, an optional lock set is required. This lock set should be ordered separately (000.1820).



002.1820

Projector housing o.b.o.:
Hitachi A100 series

- Only usable with short throw wall mount (002.1800)
- Including mounting material
- Including mirror protection (removable)
- Not included: lock set (000.1820)



000.1820

Lock set for projector housing (002.1820) o.b.o.:
Hitachi A100 series

- 4 padlocks for wall mount
- 1 lock for housing



Hanging your projectors in rental situations is quick and easy when using the rental mounts. By means of the quarter turning closings, the projector is mounted onto the bracket in no-time. However, the projector should be fitted with a projector specific bracket or a universal rental bracket.

Electrical insulation

The tube sets are electrically insulated: it is therefore not required to tape the truss to prevent image failure on screen. The ball joint can easily be adjusted by means of the special rental ring. The tube set is fitted with lifting eyes in order to attach the safety provisions.

- 002.1641** Rental set 1, fixed length 9 cm for truss clamp
- 002.1660** Rental set 2, 45 up to and including 70 cm
- 002.1661** Rental set 3, 70 up to and including 115 cm
- 002.1662** Rental set 4, 100 up to and including 145 cm
- 002.1663** Rental set 5, 125 up to and including 170 cm

- 002.1001** Projector specific bracket
- 002.1003** Universal rental bracket
- 003.1128** Doughty trigger clamp



Projector fine adjustment

Apart from our standard rental mounts, we also have a suspension device which allows an even more accurate adjustment of (larger) projectors. By means of a fine adjustment mechanism, including screw thread, it is possible to continuously pan and tilt the projector for as much as 20 degrees. A projector can be adjusted in no time, and multiple projections can be realised. The valuable time of technicians on location is effectively utilized as such. Also the bracket is electrically insulated. These brackets, referred to as "Trigger clamps" can be ordered separately as well.

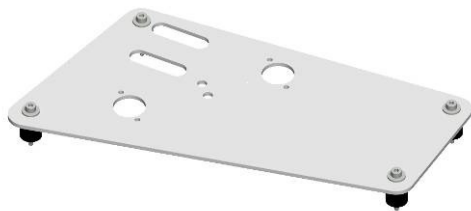


- 002.1600**
Rental set with projector fine adjustment



002.1000

Universal bracket. This bracket comes with 4 small arms, spacers and bolts M3 up to and including M6.



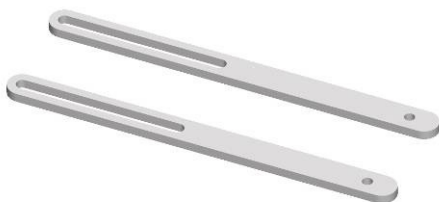
002.1001

Projector specific bracket.



002.1003

Universal rental bracket. This bracket is delivered including 4 small arms, spacers and bolts M3 up to and including M6.



003.1002

Set of 2 long arms. These can be used if the standard arms are not long enough.



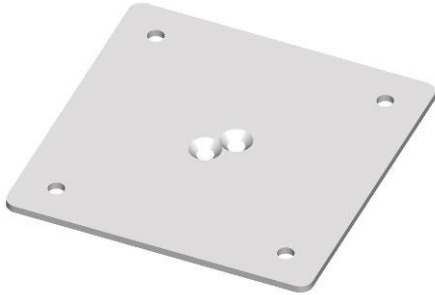
003.1050

Stretching set. Complete set with 4 x 3 meters steel wire, stretchers and wedge bolts.



003.1079

Extension tube 1 meter. 0.9 meter effectively.

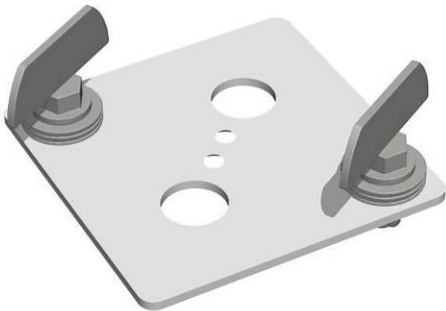


003.1078

Extension tube 2 meter. 1.9 meter effectively.

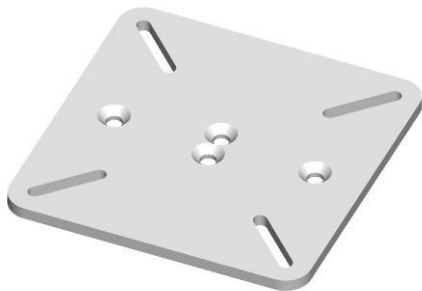
003.1120

Conversion plate.



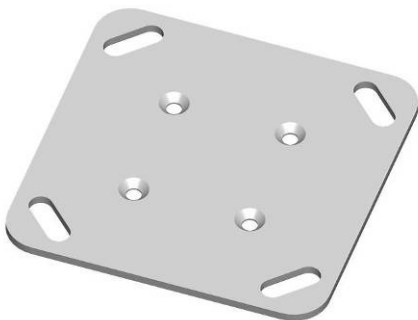
003.1121

Rental plate. By means of the quarter turn closings, the projector can quickly be (de)mounted from the brackets. A projector specific bracket is required for this purpose.



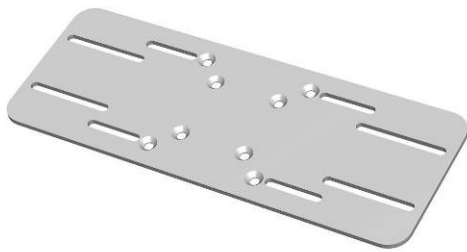
003.1122

Flat screen conversion plate. Herewith a small flat screen can be attached to an angled tube set. Suited for screens provided with VESA 75 or 100.



003.1123

Large ceiling plate. This plate can be used if the plate included in the standard tube set is too small.



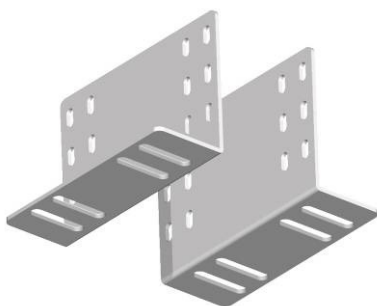
003.1124

Ceiling plate for sheet-pile profile. This plate is to be attached onto the sheet-pile profiled at the top floors of buildings. Next, a standard tube set can be fastened to this plate.



003.1125

Fixed mounted spacers. In situations in which the bracket is to be mounted on and off the projector frequently, this is a perfect solution to keep all material together.



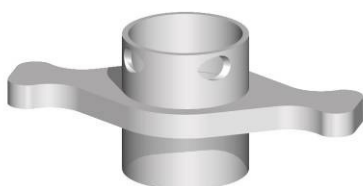
003.1126

Wooden beam conversion plate. This adapter allows mounting of a standard tube set to a wooden beam, which is too small for a standard tube set.



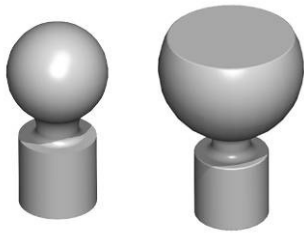
003.1128

Doughty trigger clamp. All tube sets are prepared for the use of this clamp.



003.1151

Ball locking ring in rental construction. By using this ring, adjustment of the ball joint by means of the wings can easily be realised. The listed price is an additional price, when compared to a standard.



003.1152

Separate ball, small.

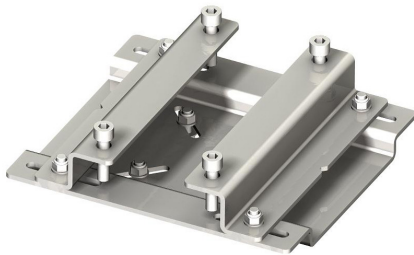
003.1153

Separate ball, large.



003.1180

Continuous angular adjustment. For mounting a tube set for projectors or flat screens to a slope ceiling.



072.2010

H-bar mount small. For mounting SmartMetals tube sets (projector and flat screen) to H-bars.

Width H-bar: 80-180mm



072.2020

H-bar mount large. For mounting SmartMetals tube sets (projector and flat screen) to H-bars.

Width H-bar: 160-310mm

Flat screen mounts for mounting flat screens to the wall or ceiling. Sky-Lite has designed a complete product line of flat screen mounts. Based on the modular structure, any screen mount can be connected to a ceiling mount. The mounts are available in a fixed and tiltable model. The tiltable models can be set as such that, following the installation, the brackets can be tilted and locked in the required position. All screen mounts can be fitted with a theft-delay mechanism, by using an optional padlock.

For special projects we have the extra possibility to produce a custom-made set. This could relate to special dimensions as well as a special colour. Regarding these special deliveries we work in close consultation with the customer. Please contact us for further information.

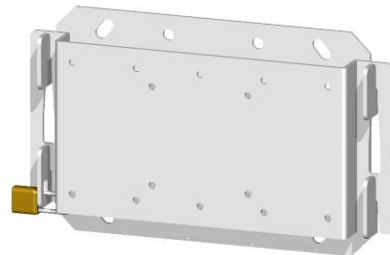


Apart from wall mounting, all VESA flat screen mounts can be used for mounting onto the ceiling, when a tube set is used. The VESA flat screen mounts - in combination with coupling bolts – can be used for mounting to the flat screen stand as well. The mounts are fitted with the fastening material, to secure the screen to the bracket. As theft-delay feature, an optional padlock is available.

052.3000

Fixed VESA wall mount:

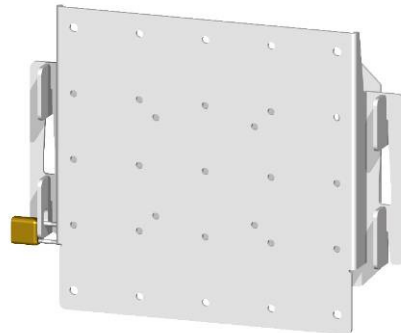
- VESA 75, 100, 200-100
- Distance to the wall: 30mm



052.4000

Fixed VESA wall mount:

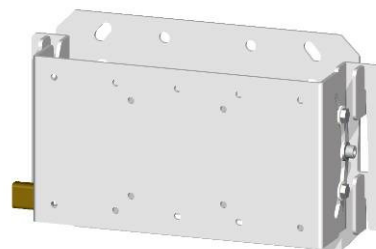
- VESA 75, 100, 200-100, 200-200
- Distance to the wall: 30mm



052.3050

Tiltable VESA wall mount:

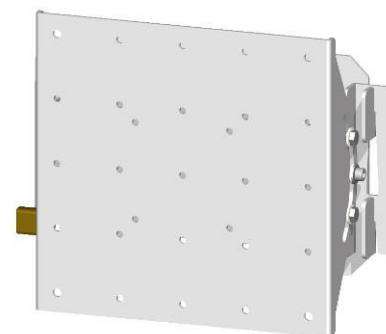
- VESA 75, 100, 200-100
- Distance to the wall: 70mm
- 15° tilting angle



052.4050

Tiltable VESA wall mount:

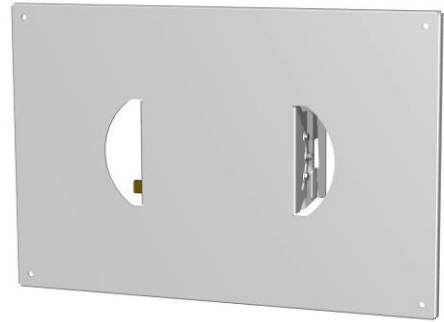
- VESA 75, 100, 200-100, 200-200
- Distance to the wall: 70mm
- 15° tilting angle



052.8050

Tiltable VESA wall mount:

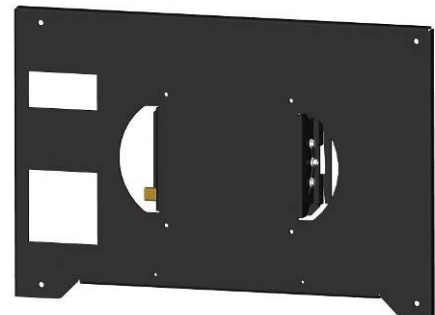
- VESA 600-400
- Distance to the wall: 70mm
- 15° tilting angle



052.8060 (*landscape version*)
052.8065 (*portrait version*)

Tiltable VESA wall mount:

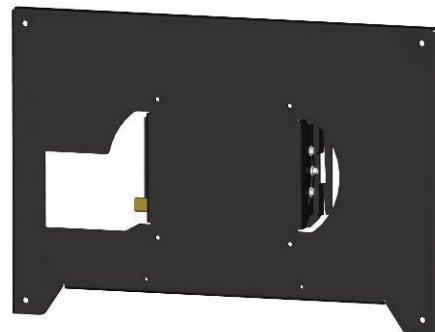
- Screen bracket specific for **Samsung 400/460 DX(n) and UX(n) series**
- VESA 600-400
- Distance to the wall: 70mm
- 15° tilting angle



052.8070 (*landscape version*)
052.8075 (*portrait version*)

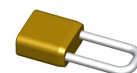
Tiltable VESA wall mount:

- Screen bracket specific for **Samsung 400/460 MX(n) and CX(n) series**
- VESA 600-400
- Distance to the wall: 70mm
- 15° tilting angle



000.0001

Padlock for VESA & universal wall mounts



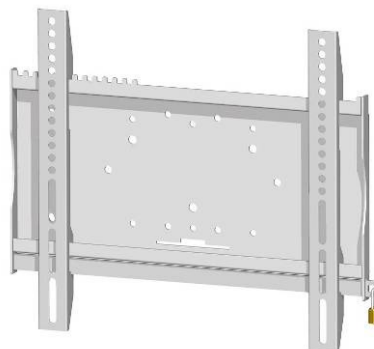
All universal flat screen mounts are VESA compatible. The mounts are suited for wall mounting, however also - in combination with a tube set - for mounting onto the ceiling. Additionally the universal screen mounts can be used for mounting to the flat screen stand, when coupling bolts are used. The mounts are fitted with fastening material, to secure the screen to the bracket. As theft-delay feature, an optional padlock is available.

Fixed universal wall mounts

052.1000

Fixed universal wall mount:

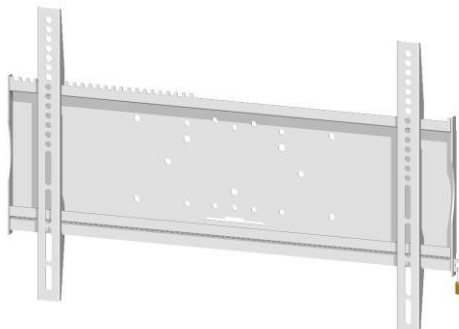
- For 26"-37" (depends on brand)
- Dimensions: 525 x 430 x 33mm (wxhxd)
- Max. distance suspension points: 432 x 400mm (wxh)
- Distance to the wall: 33mm



052.2000

Fixed universal wall mount:

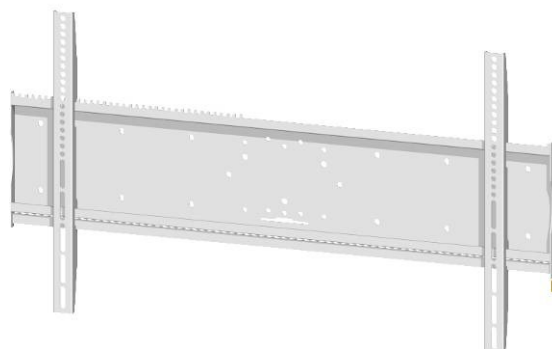
- For 37"-50" (depends on brand)
- Dimensions: 895 x 510 x 33mm (wxhxd)
- Max. distance suspension points: 802 x 466mm (wxh)
- Distance to the wall: 33mm



052.6000

Fixed universal wall mount:

- For 50"-65" (depends on brand)
- Dimensions: 1190 x 630 x 38mm (wxhxd)
- Max. distance suspension points: 1100 x 600mm (wxh)
- Distance to the wall: 38mm



052.6004

Universal mounting bars portrait:

For mounting large flat screens in portrait position.

- Combine with fixed universal bracket (052.1000, 052.2000, 052.6000)
- Max. height: 900mm
- Max. width: depending on type of screen bracket
- Length: 930mm

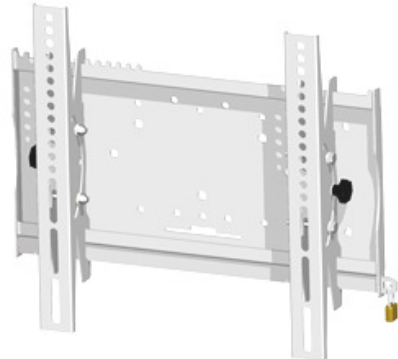


Universal wall mounts, tiltable

052.1050

Tiltable universal wall mount:

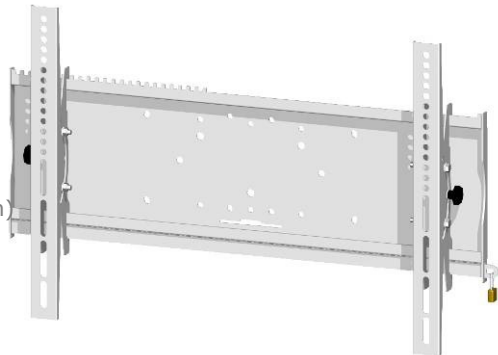
- For 26"-37" (depending on the manufacturer)
- Dimensions: 525 x 430 x 75mm (wxhxd)
- Max. distance suspension points: 432 x 400mm (wxh)
- Distance to the wall: 75mm
- 13° tilting angle



052.2050

Tiltable universal wall mounts:

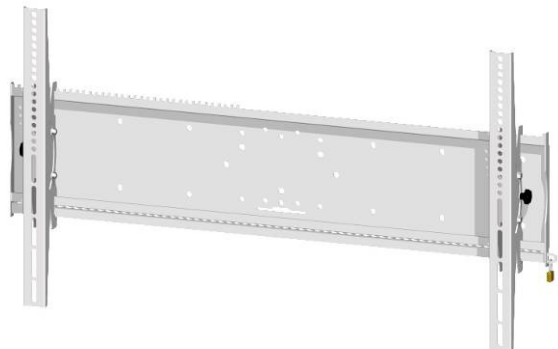
- For 37"-50" (depending on the manufacturer)
- Dimensions: 895 x 510 x 75mm (wxhxd)
- Max. distance suspension points: 802 x 466mm (wxh)
- Distance to the wall: 75mm
- 13° tilting angle



052.6050

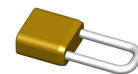
Tiltable universal wall mounts:

- For 50"-65" (depending on the manufacturer)
- Dimensions: 1190 x 630 x 87mm (wxhxd)
- Max. distance suspension points:
1100 x 600mm (wxh)
- Distance to the wall: 87mm
- 13° tilting angle



000.0001

Padlock for VESA & universal wall mounts



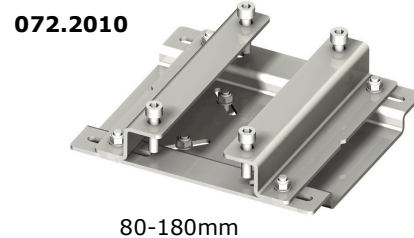
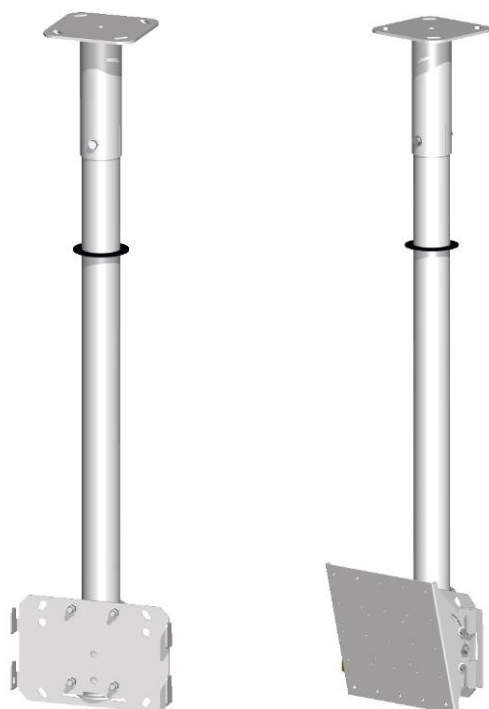
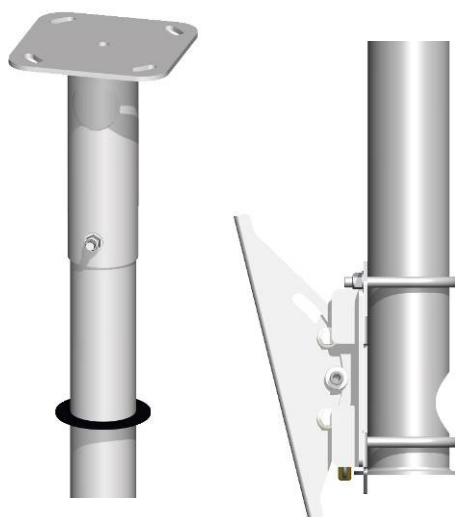
All VESA and universal screen brackets by SmartMetals® can be mounted to the ceiling by means of the tube sets below. It is possible to connect one or two screens (back-to-back) to the tube set. Following the installation, the screen can be turned in horizontal position. The tube sets are available in three standard lengths, which can be shortened on location.

All tube sets are fitted with a:

- cable duct
- finishing ring for the ceiling set

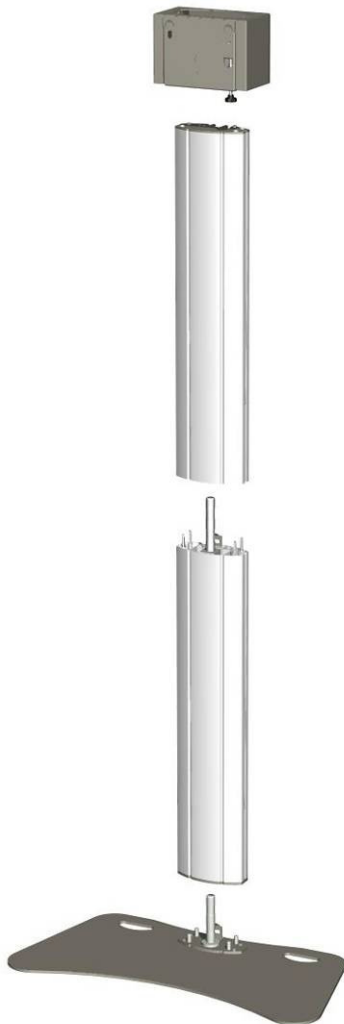
An optional continuous angular adjustment is available, to mount a tube set to a slope ceiling. As soon as the screen is installed, it can be protected against theft by means of a lock which should be ordered separately. Also available: optional H-bar mounts.

- 072.1010** Tube set up to 1 meter
- 072.1020** Tube set up to 2 meters
- 072.1030** Tube set up to 3 meters
- 072.1111** Assembly set back-to-back
- 003.1180** Continuous angular adjustment
- 072.2010** H-bar mount small
- 072.2020** H-bar mount large

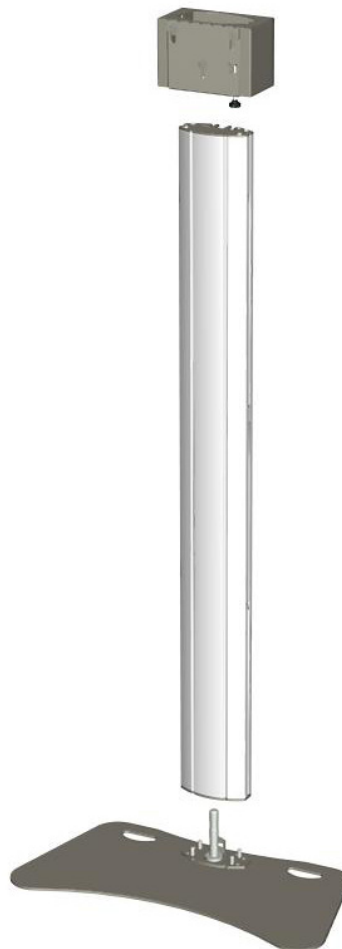


Some characteristics:

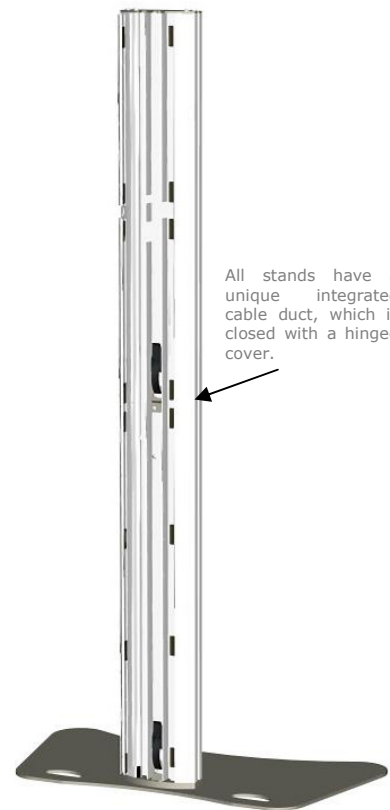
- Suited for rental applications and fixed installation
- Slim design
- Functional design
- Theft delaying mechanism
- 3 unique integrated cable ducts
- No tools required when setting up
- Continuous height adjustment up to 190 cm
- Compatible with all SmartMetals® flat screen mounts
- Custom-made configurations possible



Fully divisible
The aluminium column consists of 2 parts; therefore very well suited for rental use.



Semi-divisible
The aluminium column consists of 1 part with a length of 1.9 meter.



Indivisible
Aluminium column and floor plate are merged as one.

All stands have a unique integrated cable duct, which is closed with a hinged cover.



062.1000B Fully divisible stand. Single construction up to 50" comprising base plate, column and single head.

062.1100B Semi-divisible stand. Single construction up to 50" comprising base plate, column and single head.

062.1200B Indivisible stand. Single Construction up to 50" comprising base plate, column and single head.



062.2000B Fully divisible stand. Double construction up to 50" comprising base plate, column and double head.

062.2100B Semi-divisible stand. Double construction up to 50" comprising base plate, column and double head.

062.2200B Indivisible stand. Double construction up to 50" comprising base plate, column and double head.



062.3000B Fully divisible stand. Single construction up to 65" comprising base plate, column and single head.

062.3100B Semi-divisible stand. Single construction up to 65" comprising base plate, column and single head.

062.3200B Indivisible stand. Single Construction up to 65" comprising base plate, column and single head.



062.1500B Fully divisible stand. Single construction up to 50" comprising wheeled base plate, column and single head.

062.1600B Semi-divisible stand. Single construction up to 50" comprising wheeled base plate, column and single head.

062.1700B Indivisible stand. Single construction up to 50" comprising wheeled base plate, column and single head.



062.2500B Fully divisible stand. Double construction up to 50" comprising wheeled base plate, column and double head.

062.2600B Semi-divisible stand. Double construction up to 50" comprising wheeled base plate, column and double head.

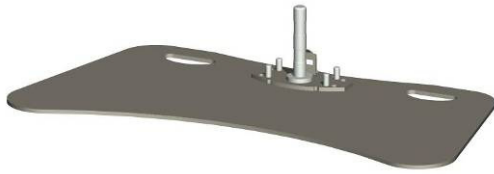
062.2700B Indivisible stand. Double construction up to 50" comprising wheeled base plate, column and double head.



062.3500B Fully divisible stand. Single construction up to 65" comprising wheeled base plate, column and single head.

062.3600B Semi-divisible stand. Single construction up to 65" comprising wheeled base plate, column and single head.

062.3700B Indivisible stand. Single construction up to 65" comprising wheeled base plate, column and single head.

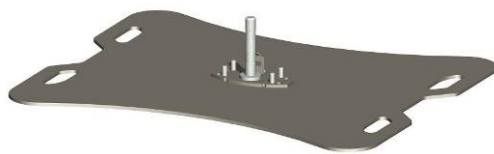


063.1010

Base plate,
single construction up to 50".

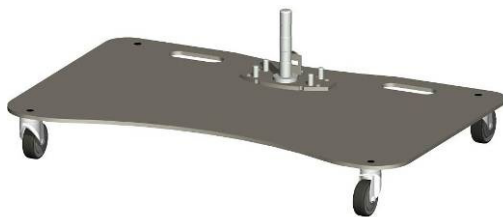
063.3010

Base plate,
single construction up to 65".



063.2010

Base plate,
double construction up to 50".



063.151

Wheeled base plate,
single construction up to 50".

063.3510

Wheeled base plate,
single construction up to 65".



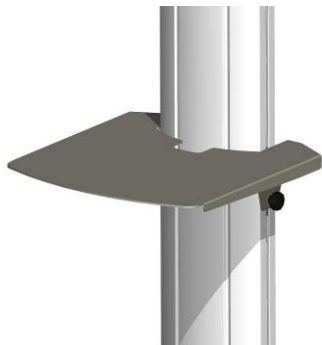
063.2510

Wheeled base plate,
double construction up to 50".



063.0200

Extension piece 35 cm.
Only for fully divisible stand. Will be inserted between both stand parts. This will increase the height of the stand to 2.25 meter.



063.0100

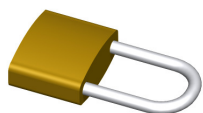
Stand platform.
Dim.: 39 x 31 cm (w x d).
Continuously adjustable in height and it has a fastening possibility for a laptop lock.



063.0700

Lockable media housing.
For SmartMetals flat screen stand; protects your equipment against theft and vandalism.

- Solid steel housing
- Cable entries at the back
- Continuously in height adjustable
- Inner dimensions (wxdxh):
450x377x114mm
- Lockable with an optional padlock
(**000.0011**)



000.0011

Padlock for locking a single head.

000.0012

Padlock for locking a double head.



063.1020B

Stand head, single construction.
Padlocks should be ordered separately.



063.2020B

Stand head, double construction.
Padlocks should be ordered separately.



063.0500

Monitor/platform stand for mounting flat screens just above the floor. This set consists of a short column with a specific head on top. This monitor/platform stand can be placed on every SmartMetals (wheeled) base plate.

To be combined with each SmartMetals separate (wheeled) base plate and rental separate flat screen mount with three coupling bolts. Lockable by means of an optional padlock (000.0011).





052.5000

Universal rental mount. This mount remains fixed onto the screen and can be used for a set-up in landscape as well as in portrait. Maximum distance of the suspension points on the screen: 828 x 466mm. The bracket is supplied including coupling bolts. Padlocks should be ordered separately.



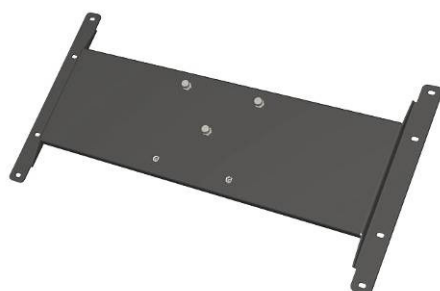
063.0300

VESA 200 rental bracket. This bracket remains fixed onto the screen and can be used for a set-up in landscape as well as in portrait. Also suited for VESA 75,100, 100-200. The bracket is supplied with coupling bolts.



063.0310

VESA 300, 400 rental bracket. This bracket remains fixed onto the screen and can be used for a set-up in landscape as well as in portrait. Suited for VESA 300 and VESA 400. The bracket is supplied with coupling bolts.

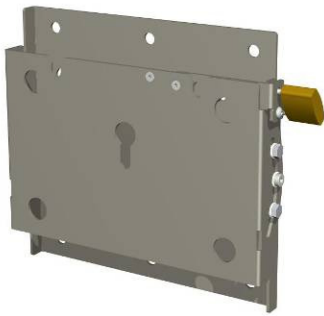


063.0320

VESA 600-400 rental bracket. This bracket remains fixed onto the screen and can be used for a set-up in landscape as well as in portrait. Suited for VESA 600-400. The bracket is supplied with coupling bolts.

063.0330

VESA 800-400 rental bracket.



063.0450

Tilting wall or truss attachment. A pattern of holes for a truss of 30 cm is integrated horizontally as well as vertically. Additionally, this module can easily be attached to a wall.
Lockable by means of a padlock (optional).



063.0600

Hoist system to connect and hoist up plasma and LCD flat screens till 90kg easily out of a TechnoCase flight case to a SmartMetals flat screen stand. After these operations the hoist system can be removed.
All this by one person!



063.0611

Additional set hoist system: separate hoisting plate and roller-bar which can be mounted on an extra flat screen to hoist it up.



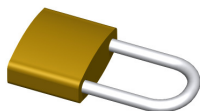
063.0615

Additional set hoist system: two separate mounting bars can be mounted on an extra flat screen stand to hoist up flat screens.



063.1035

Three-point coupling bolt (1x). Three coupling bolts are required to connect a screen bracket to the stand.



000.0013

Padlock for locking the flat screen rental mounts.